



US00D594847S

(12) **United States Design Patent**
Suzuki

(10) **Patent No.:** **US D594,847 S**

(45) **Date of Patent:** **** Jun. 23, 2009**

(54) **HEADPHONE**

(75) Inventor: **Satoshi Suzuki**, Tokyo (JP)

(73) Assignee: **Sony Corporation**, Tokyo (JP)

(**) Term: **14 Years**

(21) Appl. No.: **29/300,375**

(22) Filed: **Mar. 20, 2008**

(30) **Foreign Application Priority Data**

Sep. 21, 2007 (JP) 2007-025649

(51) **LOC (9) Cl.** **14-01**

(52) **U.S. Cl.** **D14/205**

(58) **Field of Classification Search** D14/205,
D14/223, 188, 192; 181/129, 130; 379/430,
379/431, 433; 381/370, 375, 376, 377, 378,
381/379, 380, 381; 2/209; D29/112

See application file for complete search history.

(56) **References Cited**

U.S. PATENT DOCUMENTS

1,581,882	A	*	4/1926	Stace	381/381
1,606,165	A	*	11/1926	Glenn	381/384
2,437,049	A	*	3/1948	Salisbury et al.	128/866
3,073,410	A	*	1/1963	Gongoll et al.	2/209
3,440,663	A	*	4/1969	Beguín	2/209
3,505,684	A	*	4/1970	Hutchinson et al.	2/209
3,562,816	A	*	2/1971	Hutchinson	2/209
D336,646	S		6/1993	Yamazaki et al.		
D337,115	S		7/1993	Yamazaki et al.		
5,293,647	A	*	3/1994	Mirmilshsteyn et al.	2/209
D353,817	S	*	12/1994	Wada	D14/205
D368,716	S	*	4/1996	Shudo	D14/205
D375,312	S	*	11/1996	Kanno	D14/205
5,751,825	A	*	5/1998	Myers et al.	381/118
D420,356	S	*	2/2000	Suzuki	D14/205

D435,249	S	*	12/2000	Yasutomi	D14/205
D484,485	S	*	12/2003	Matsuoka	D14/205
D491,163	S	*	6/2004	Green	D14/205
D532,407	S		11/2006	Motoishi		
D541,255	S	*	4/2007	Taylor et al.	D14/205
D549,688	S	*	8/2007	Suzuki	D14/205

FOREIGN PATENT DOCUMENTS

KR 30-0452477 6/2007

OTHER PUBLICATIONS

Office Action of Design Patent Application No. 2007-025649 mailed on Jun. 3, 2008 (Japan).

* cited by examiner

Primary Examiner—Paula Greene

(74) *Attorney, Agent, or Firm*—Rader, Fishman & Grauer, PLLC

(57) **CLAIM**

The ornamental design for a headphone, as shown and described.

DESCRIPTION

FIG. 1 is a perspective view of a headphone showing my new design;

FIG. 2 is a front elevational view thereof;

FIG. 3 is a rear elevational view thereof;

FIG. 4 is a left side elevational view thereof;

FIG. 5 is a right side elevational view thereof;

FIG. 6 is a top plan view thereof; and,

FIG. 7 is a bottom plan view thereof.

The portions indicated in broken lines are for illustrative purposes only and form no part of the claimed design.

1 Claim, 7 Drawing Sheets

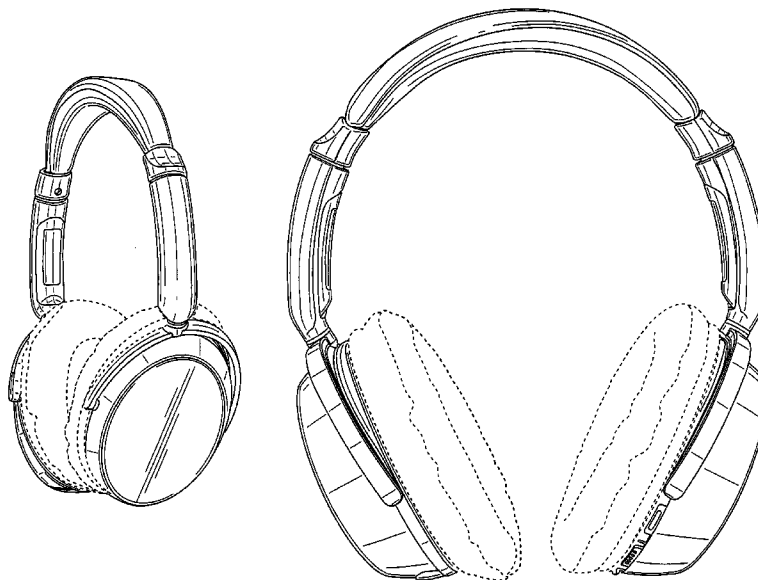


FIG. 1

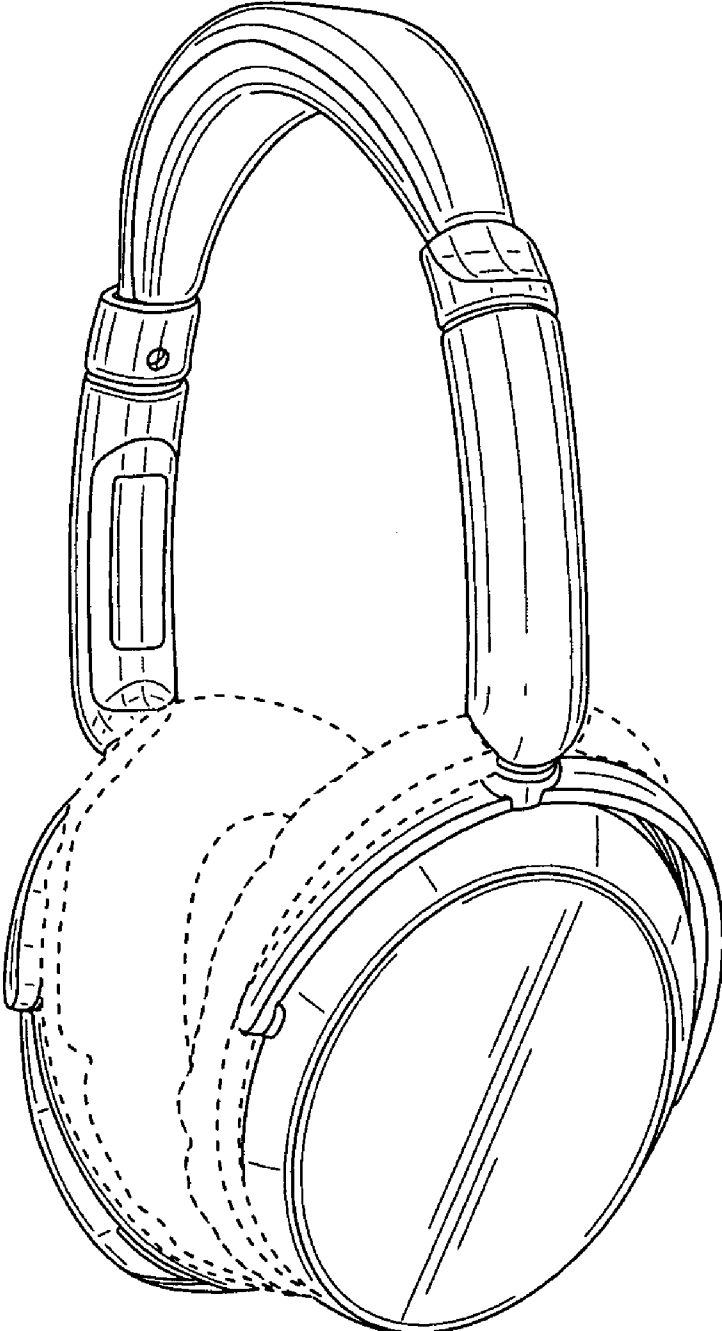


FIG.2

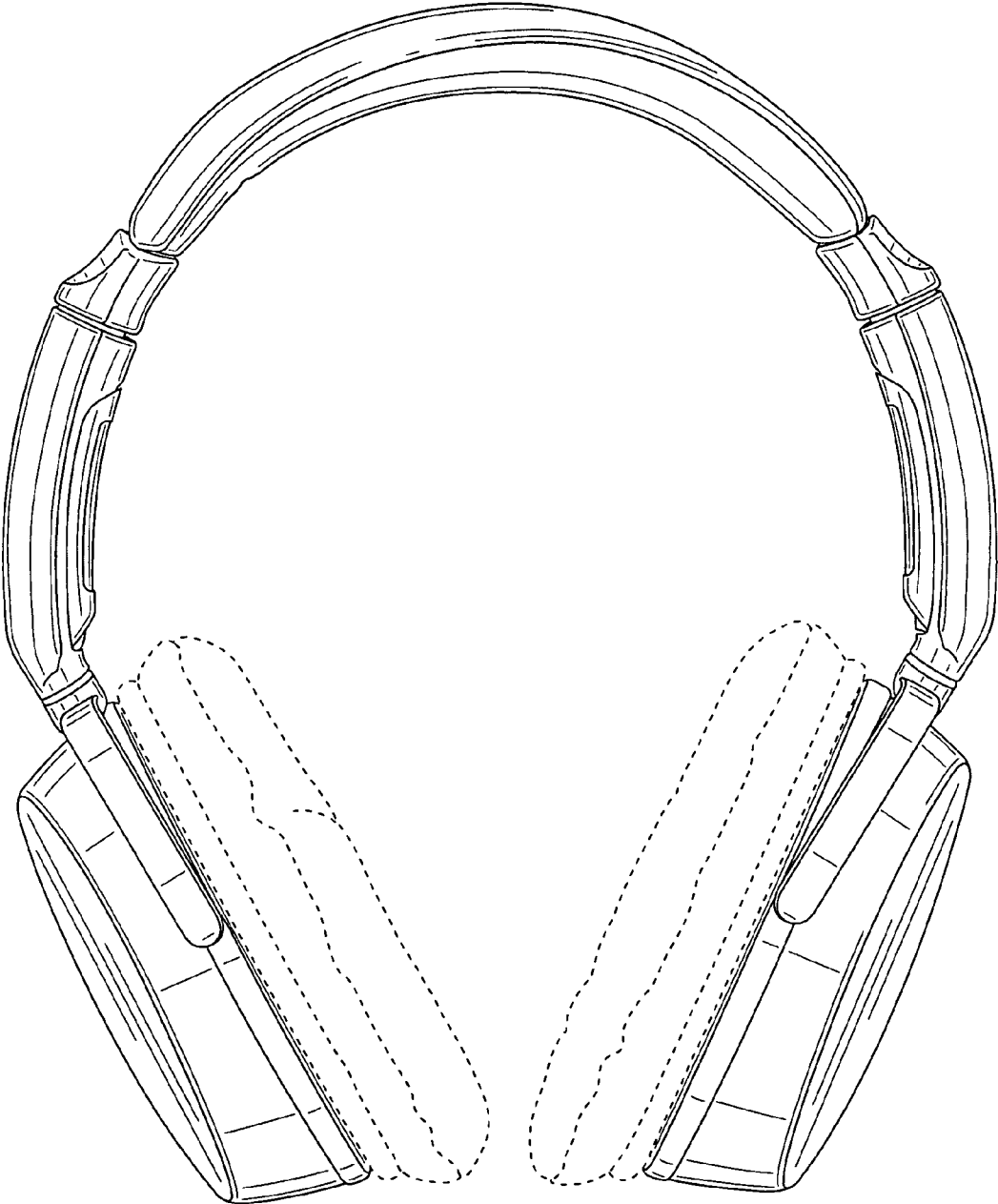


FIG.3



FIG.4

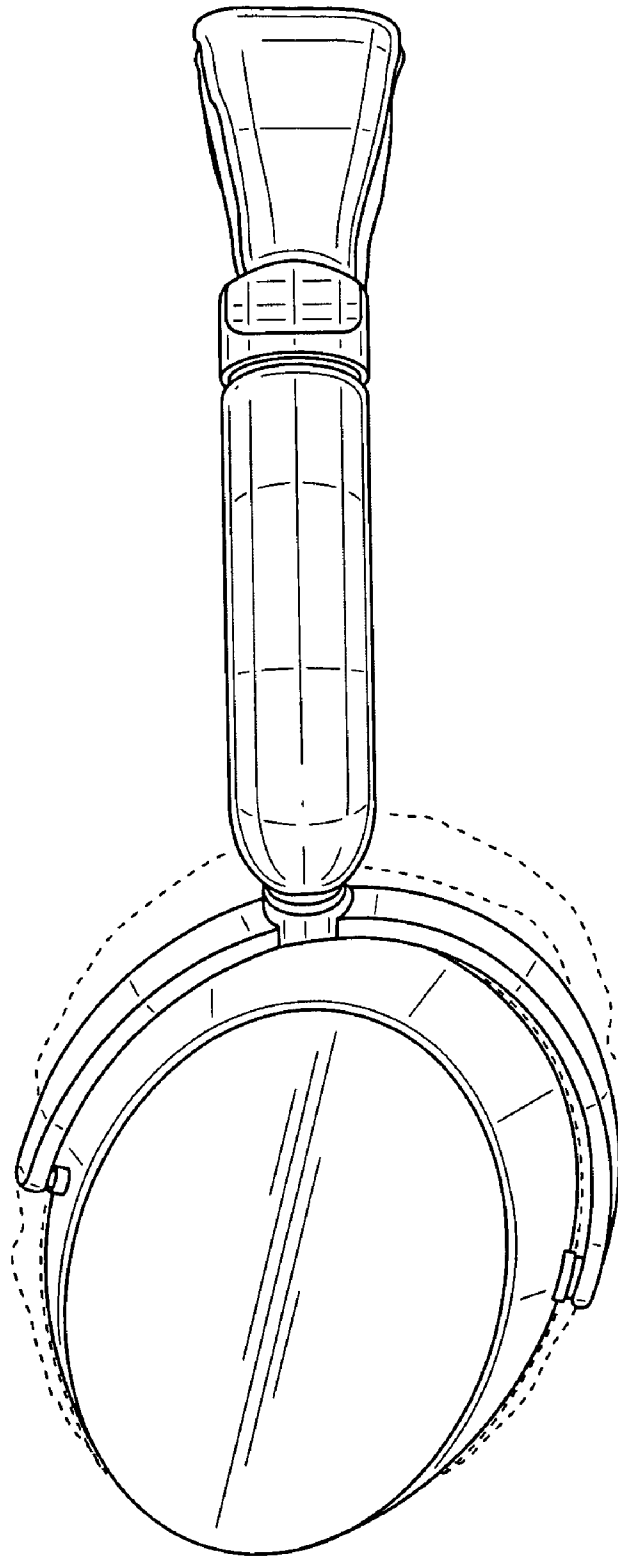


FIG.5

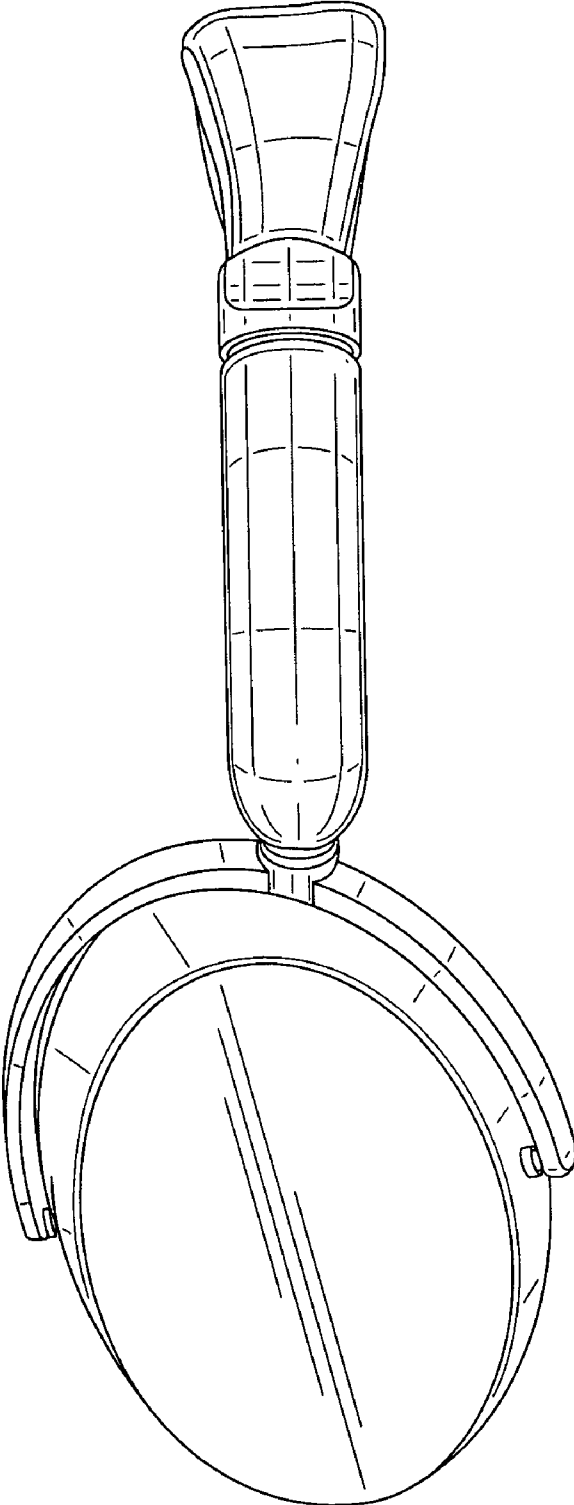


FIG.6

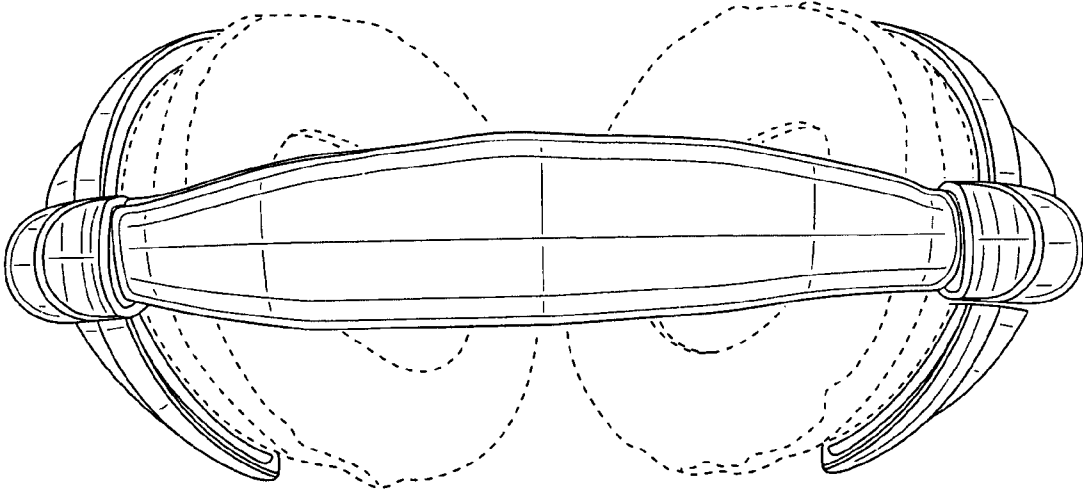


FIG.7

