



US00D891761S

(12) **United States Design Patent**
Eremita

(10) **Patent No.:** **US D891,761 S**
(45) **Date of Patent:** **** Aug. 4, 2020**

(54) **PHONE POUCH WITH FLAP AND BELT LOOP**

D465,323 S * 11/2002 Dancyger D3/226
6,612,432 B2 * 9/2003 Motson A45F 5/00
206/305

(71) Applicant: **Brian Eremita**, Sylmar, CA (US)

D500,203 S 12/2004 Kim
D508,607 S * 8/2005 Balchunas D3/303
D532,199 S * 11/2006 Balchunas D3/303

(72) Inventor: **Brian Eremita**, Sylmar, CA (US)

D721,693 S 1/2015 Lee et al.

(**) Term: **15 Years**

D721,694 S 1/2015 Lee et al.

D725,643 S 3/2015 Lee et al.

9,545,140 B1 1/2017 Johnson et al.

(21) Appl. No.: **29/678,240**

* cited by examiner

(22) Filed: **Jan. 27, 2019**

Primary Examiner — Catherine R Oliver-Garcia

(51) **LOC (12) Cl.** **03-01**

(74) *Attorney, Agent, or Firm* — Brian Eremita

(52) **U.S. Cl.**

(57) **CLAIM**

USPC **D3/218**

The ornamental design for a phone pouch with flap and belt loop, as shown and described.

(58) **Field of Classification Search**

DESCRIPTION

USPC D3/218, 215, 219, 301, 303, 269, 228;
224/240–241, 245, 578, 674, 676–679,
224/600, 605, 625, 930, 680–683, 901,
224/904; 206/45.24, 305, 320; D14/248,
D14/250–251, 253; 379/455; 455/575.1,
455/575.8
CPC A45F 3/02; A45F 3/14; A45F 5/00; A45F
5/02; A45F 5/021; A45F 2200/05; A45F
2200/0508; A45F 2200/0516; A45F
2200/0525

FIG. 1 is a front isometric view of the phone pouch with flap and belt loop, shown in use;
FIG. 2 is a front isometric view thereof;
FIG. 3 is a front isometric view;
FIG. 4 is a front elevation view thereof;
FIG. 5 is a rear elevation view thereof;
FIG. 6 is a right side elevation view thereof;
FIG. 7 is a left side elevation view thereof;
FIG. 8 is a top plan view thereof; and,
FIG. 9 is a bottom plan view thereof.

See application file for complete search history.

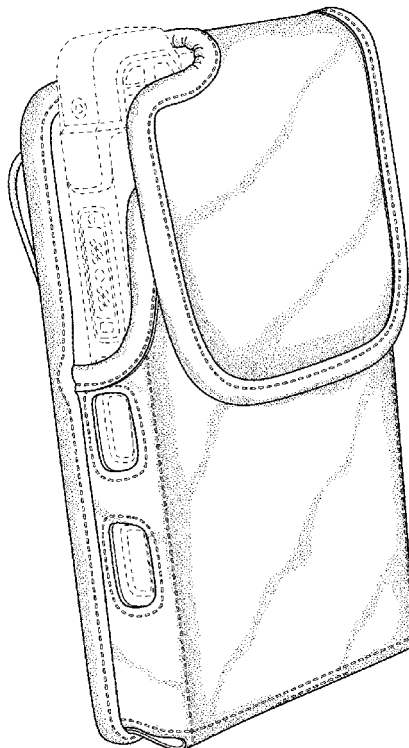
The broken lines depict environmental structure and are included for the purpose of illustration only and form no part of the claimed design.

(56) **References Cited**

U.S. PATENT DOCUMENTS

5,718,104 A * 2/1998 Kennedy H04B 1/3888
206/305
D451,094 S 11/2001 Powell

1 Claim, 5 Drawing Sheets



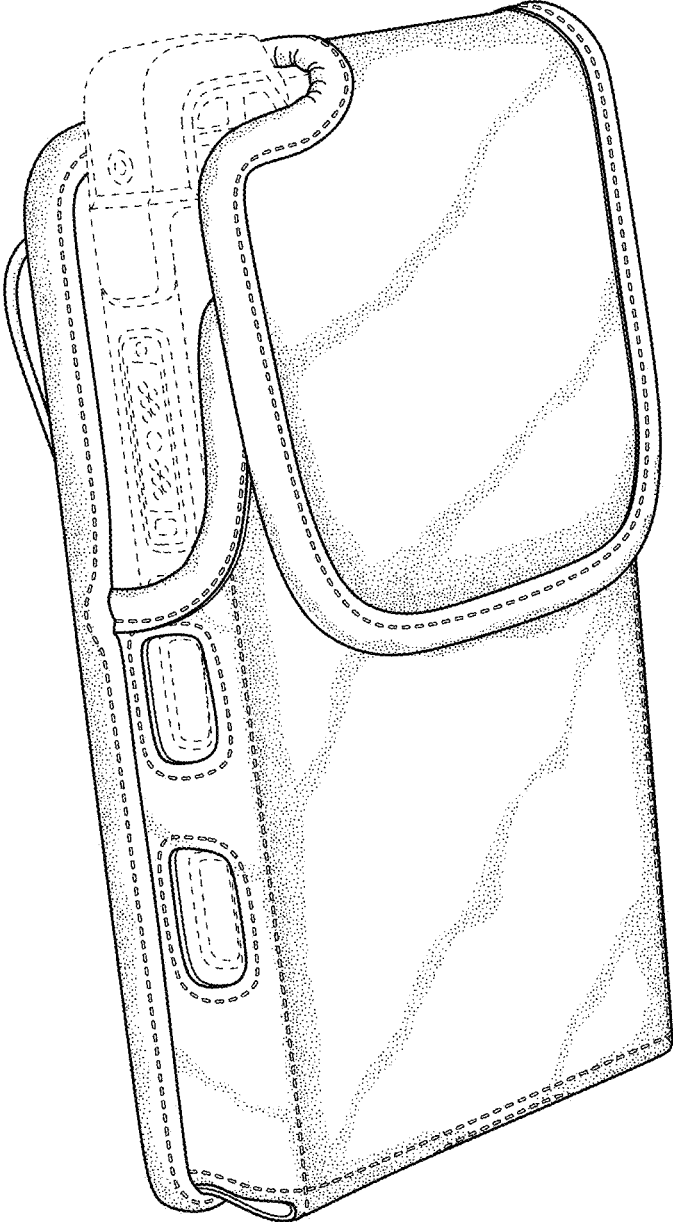


FIG. 1

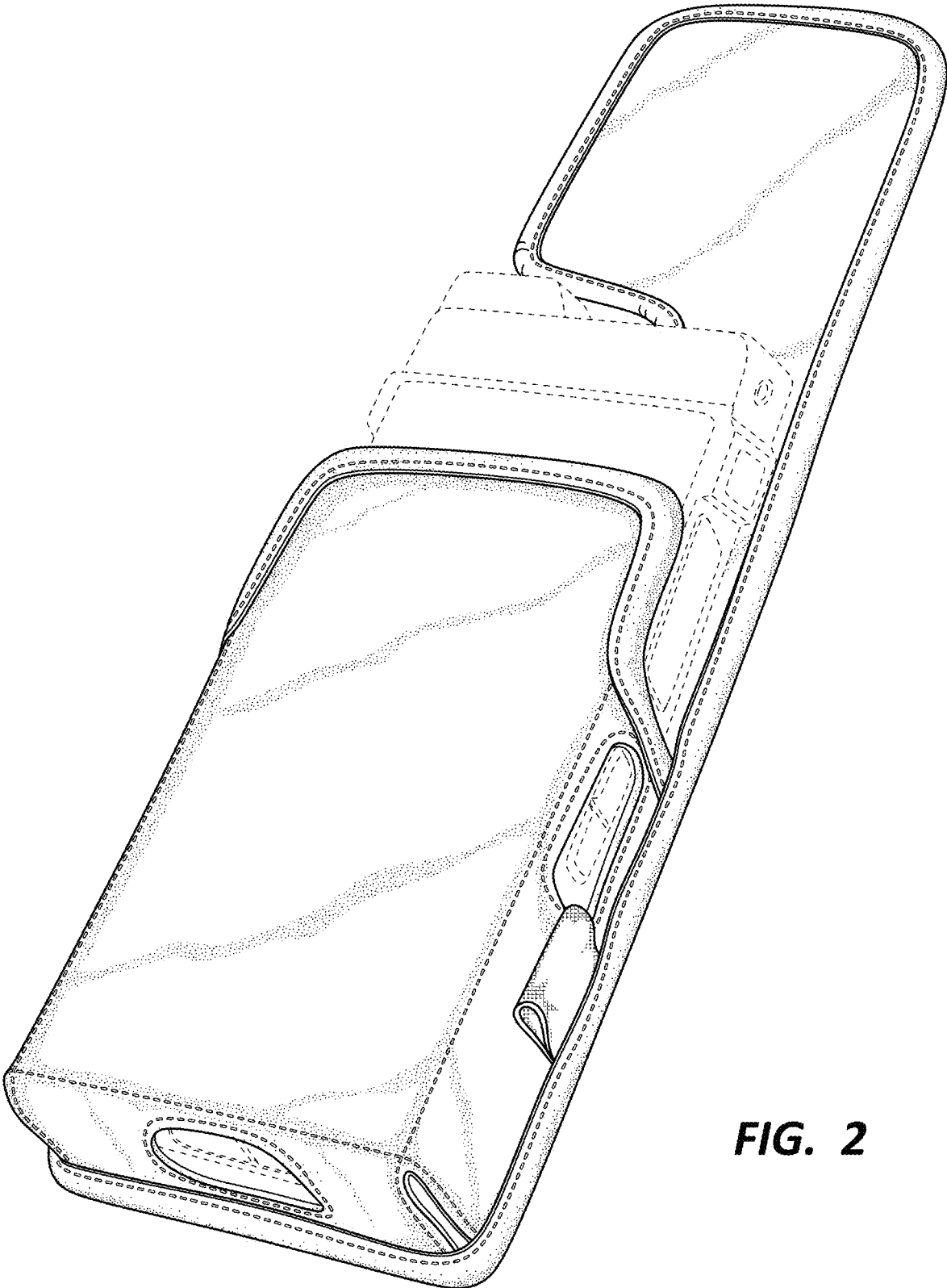


FIG. 2

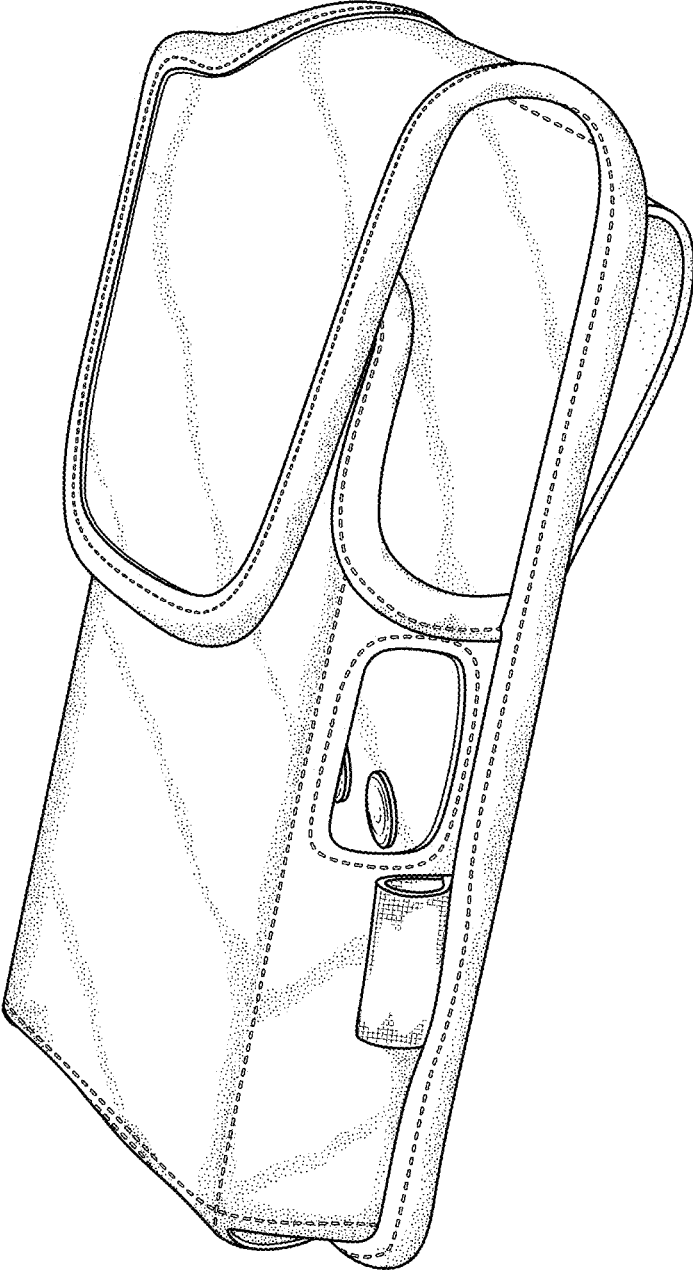


FIG. 3

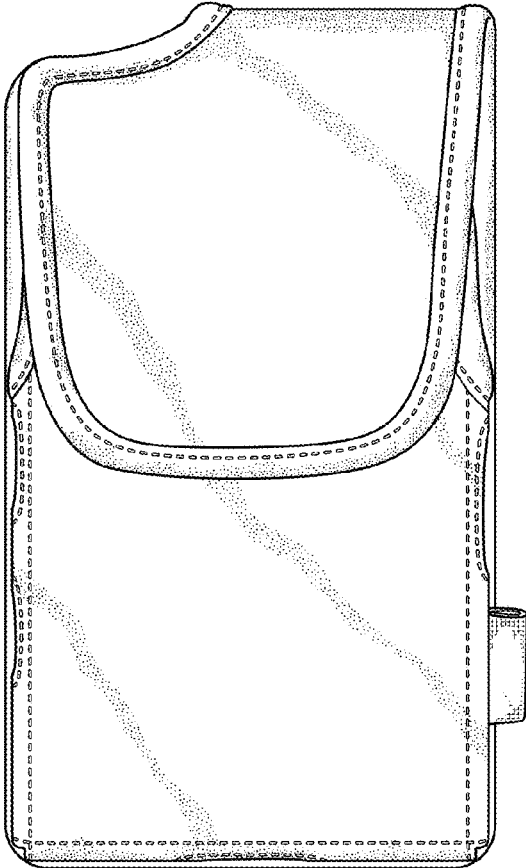


FIG. 4

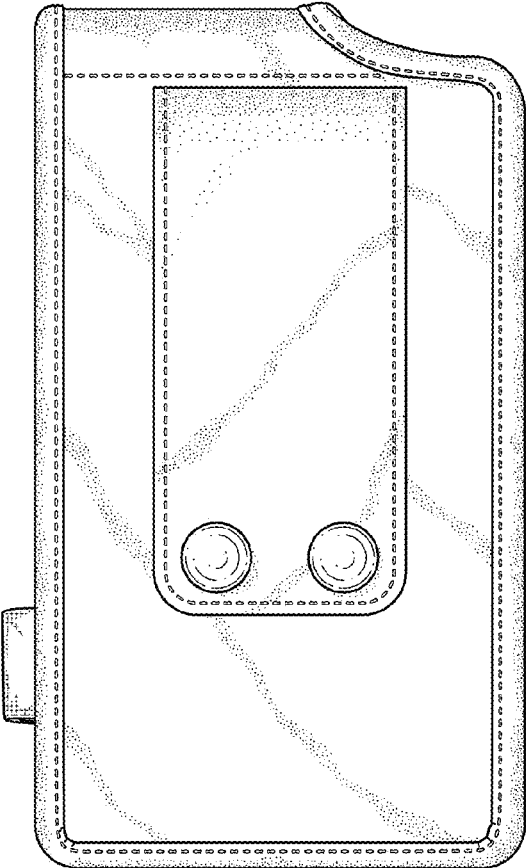


FIG. 5

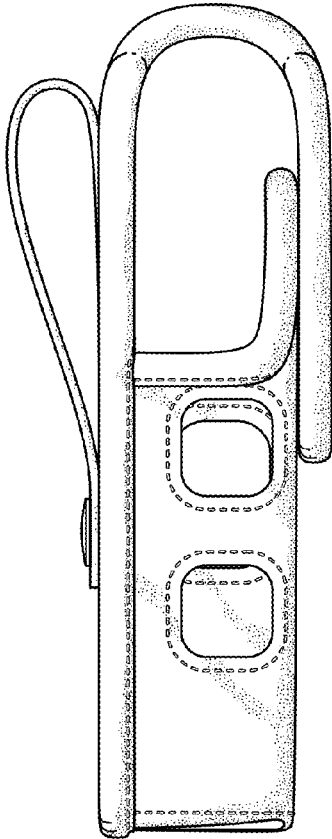


FIG. 6

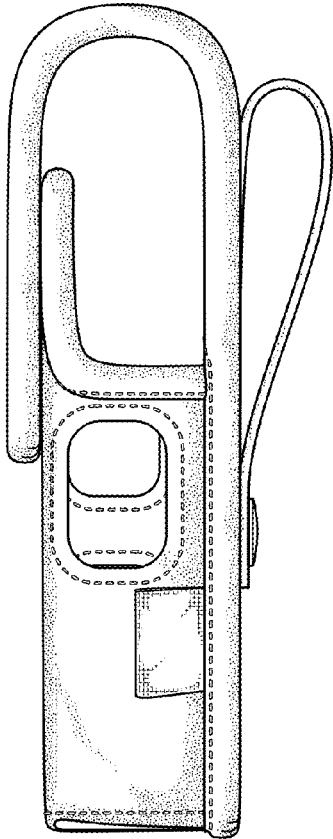


FIG. 7

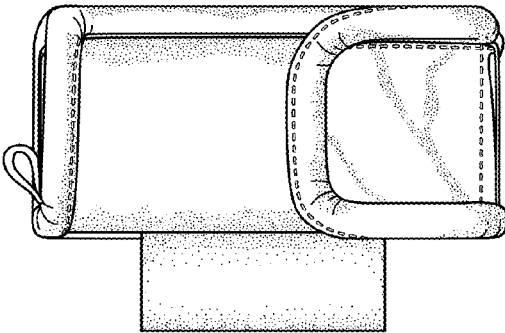


FIG. 8

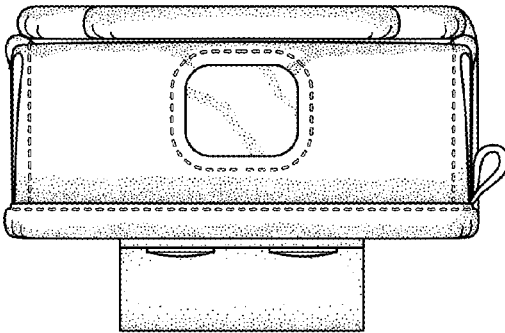


FIG. 9