



US00D810812S

(12) **United States Design Patent**
Abe et al.

(10) **Patent No.:** **US D810,812 S**

(45) **Date of Patent:** **** Feb. 20, 2018**

(54) **DIGITAL CAMERA**

(71) Applicant: **Nikon Corporation**, Tokyo (JP)

(72) Inventors: **Kenji Abe**, Kawasaki (JP); **Shu Suzuki**,
Yokohama (JP); **Makoto Imamizu**,
Yokohama (JP); **Yuki Kobayashi**,
Tokyo (JP); **Kenichi Soejima**,
Yokohama (JP)

(73) Assignee: **Nikon Corporation**, Tokyo (JP)

(**) Term: **15 Years**

(21) Appl. No.: **29/574,465**

(22) Filed: **Aug. 16, 2016**

(30) **Foreign Application Priority Data**

Feb. 18, 2016 (JP) 2016-003537

(51) **LOC (11) Cl.** **16-05**

(52) **U.S. Cl.**

USPC **D16/219**

(58) **Field of Classification Search**

USPC D16/200-220, 232, 235, 239, 242, 243,
D16/244, 245, 250; D14/423, 229, 251,
D14/253; D8/107, 303, 8; D32/18, 19,
D32/25; D4/113, 115, 138

CPC G02B 5/00; G03B 11/04; G03B 17/00;
G03B 17/02; G03B 9/08; H04N 5/2251;
H04N 5/232; H04N 7/00; F16M 13/00

See application file for complete search history.

(56) **References Cited**

U.S. PATENT DOCUMENTS

D523,234 S * 6/2006 DeBoer D8/87
D526,341 S * 8/2006 Jin D16/202
D564,840 S * 3/2008 Williams D7/510
D568,051 S * 5/2008 Wang D28/34
D570,891 S 6/2008 Miyahara et al.
D572,531 S * 7/2008 Romandy D7/510
D572,560 S * 7/2008 Demers D8/97

D577,958 S * 10/2008 Homma D7/509
D579,039 S 10/2008 Nakamura
D594,892 S 6/2009 Kamiya et al.
D595,755 S * 7/2009 Funakoshi D16/202
D609,730 S 2/2010 Nakamura

(Continued)

FOREIGN PATENT DOCUMENTS

WO D092158-004 * 2/2017
WO D092158-005 * 2/2017

OTHER PUBLICATIONS

Notice of Allowance for U.S. Appl. No. 29/574,463, dated Feb. 28, 2017.

Primary Examiner — Barbara Fox
Assistant Examiner — Mary C Ramirez
(74) *Attorney, Agent, or Firm* — Wolf, Greenfield & Sacks, P.C.

(57) **CLAIM**

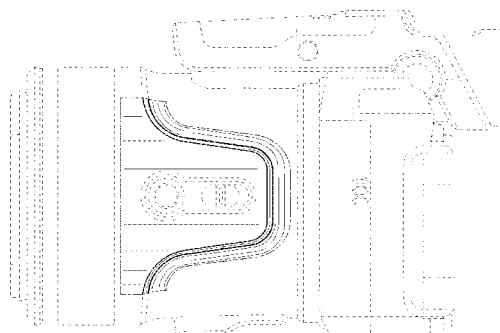
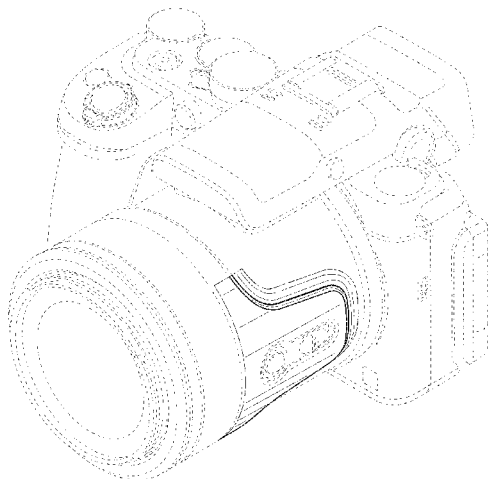
The ornamental design for a digital camera, as shown and described.

DESCRIPTION

FIG. 1 is a perspective view of a first embodiment of a digital camera showing our new design; FIG. 2 is a top plan view thereof; FIG. 3 is a bottom plan view thereof; FIG. 4 is a right side elevational view thereof; FIG. 5 is a perspective view of a second embodiment of a digital camera showing our new design; FIG. 6 is a top plan view thereof; FIG. 7 is a bottom plan view thereof; and, FIG. 8 is a right side elevational view thereof.

The broken lines shown in the drawings depict portions of the digital camera that form no part of the claimed design. The dash-dotted lines denote the boundary of the claim and form no part of the claimed design.

1 Claim, 8 Drawing Sheets



(56)

References Cited

U.S. PATENT DOCUMENTS

D631,258	S *	1/2011	Lin	D30/159
8,131,147	B2	3/2012	Kusatsugu		
D665,005	S *	8/2012	Asano	D16/219
D668,924	S *	10/2012	Molina	D8/83
D669,520	S *	10/2012	Asano	D16/219
D672,801	S	12/2012	Nakamura et al.		
D698,840	S	2/2014	Nakamura et al.		
8,727,176	B2 *	5/2014	El-Saden	A47G 19/2272 215/228
D706,849	S	6/2014	Sakai		
D724,130	S	3/2015	Ham		
D724,131	S	3/2015	Kim		
D724,639	S	3/2015	Noh		
D733,782	S	7/2015	Sakai et al.		
D740,072	S *	10/2015	Eyal	D7/509
D743,471	S *	11/2015	Oh	D16/134
D744,757	S *	12/2015	Schouten	D4/115
D775,256	S *	12/2016	Kobayashi	D16/219
D782,556	S *	3/2017	Kobayashi	D16/202
D789,434	S *	6/2017	Abe	D16/202
D795,939	S *	8/2017	Hoshi	D16/202
2006/0222357	A1	10/2006	Tomimoto		
2007/0210093	A1 *	9/2007	Pinelli	A47G 19/2272 220/715

* cited by examiner

FIG. 1

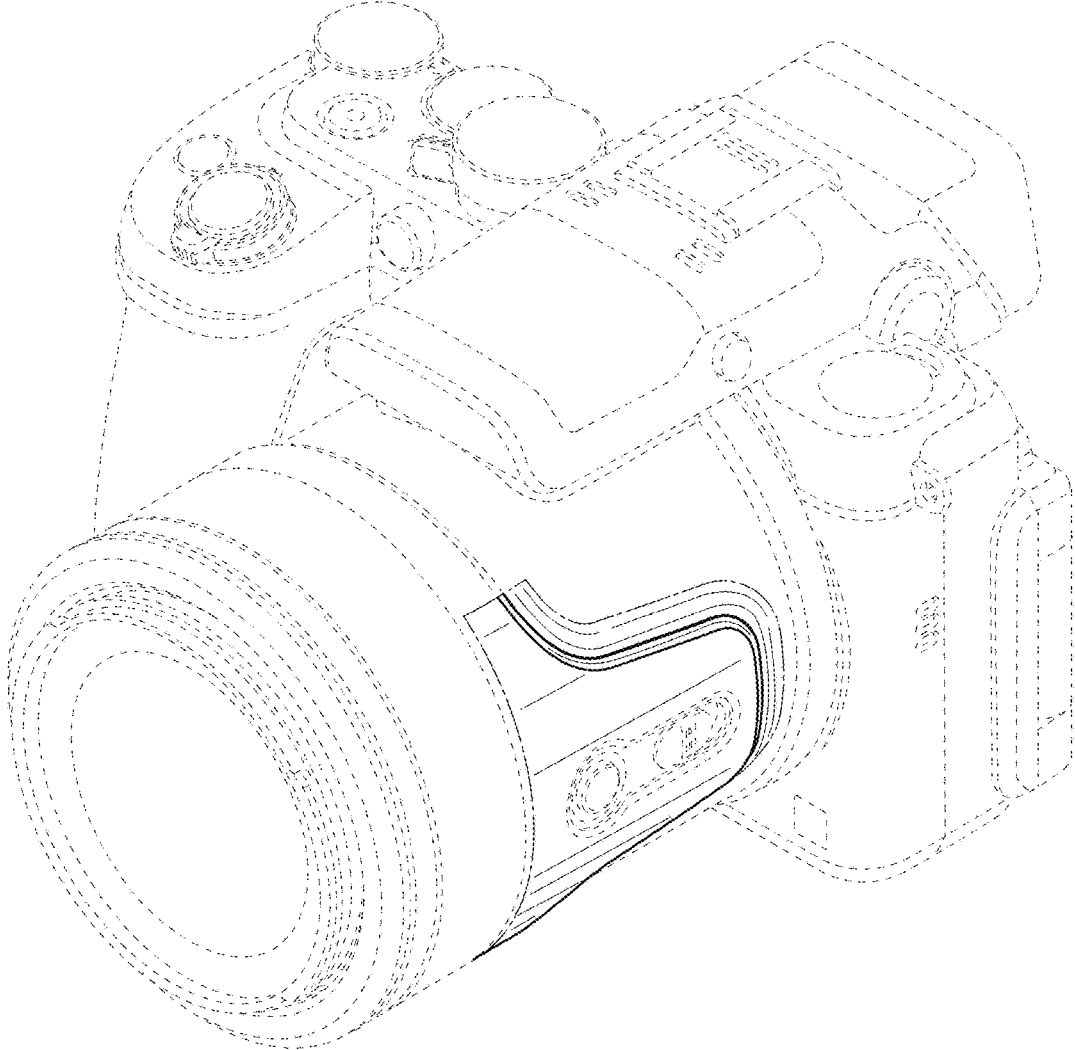


FIG. 2

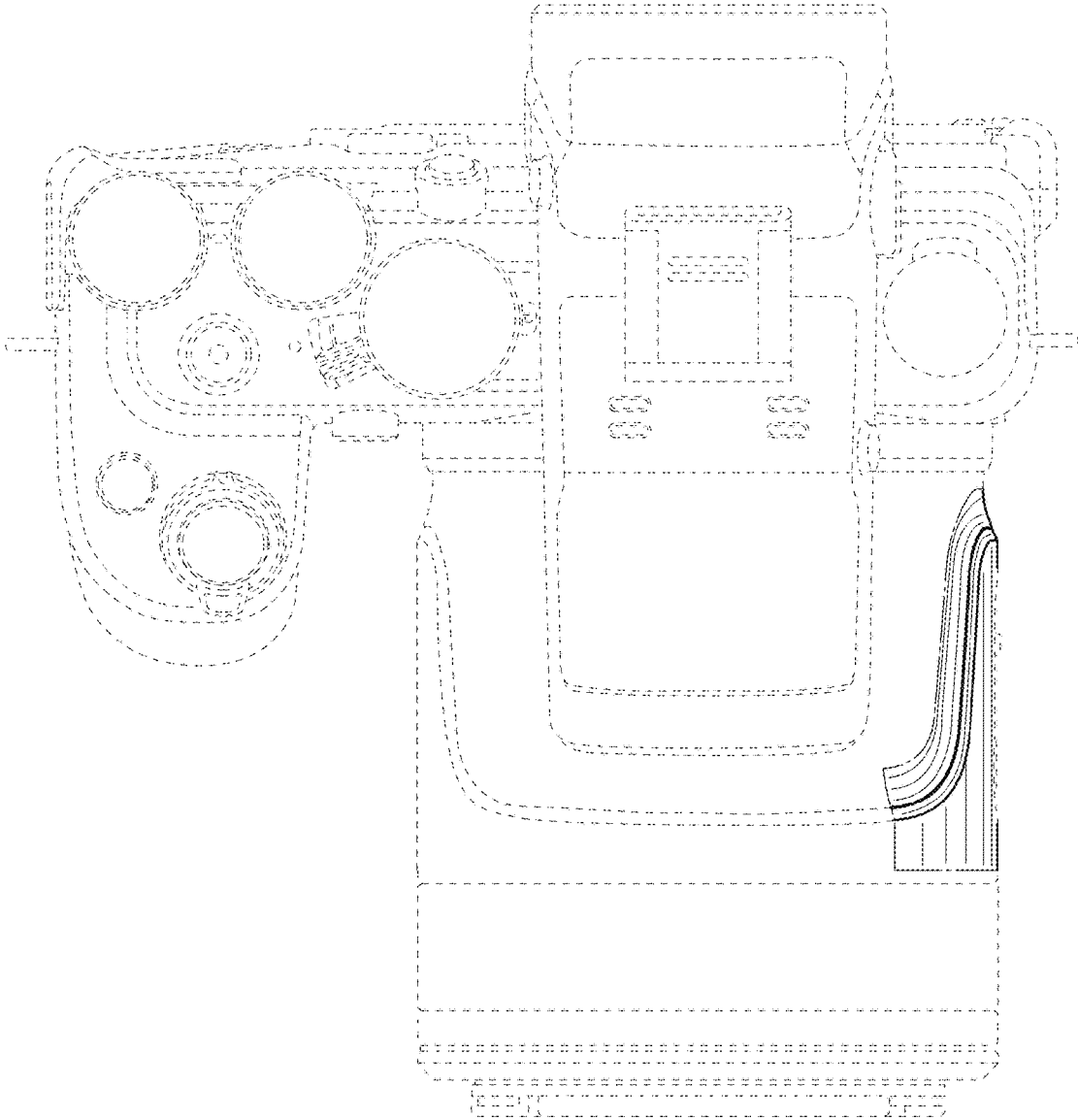


FIG. 3

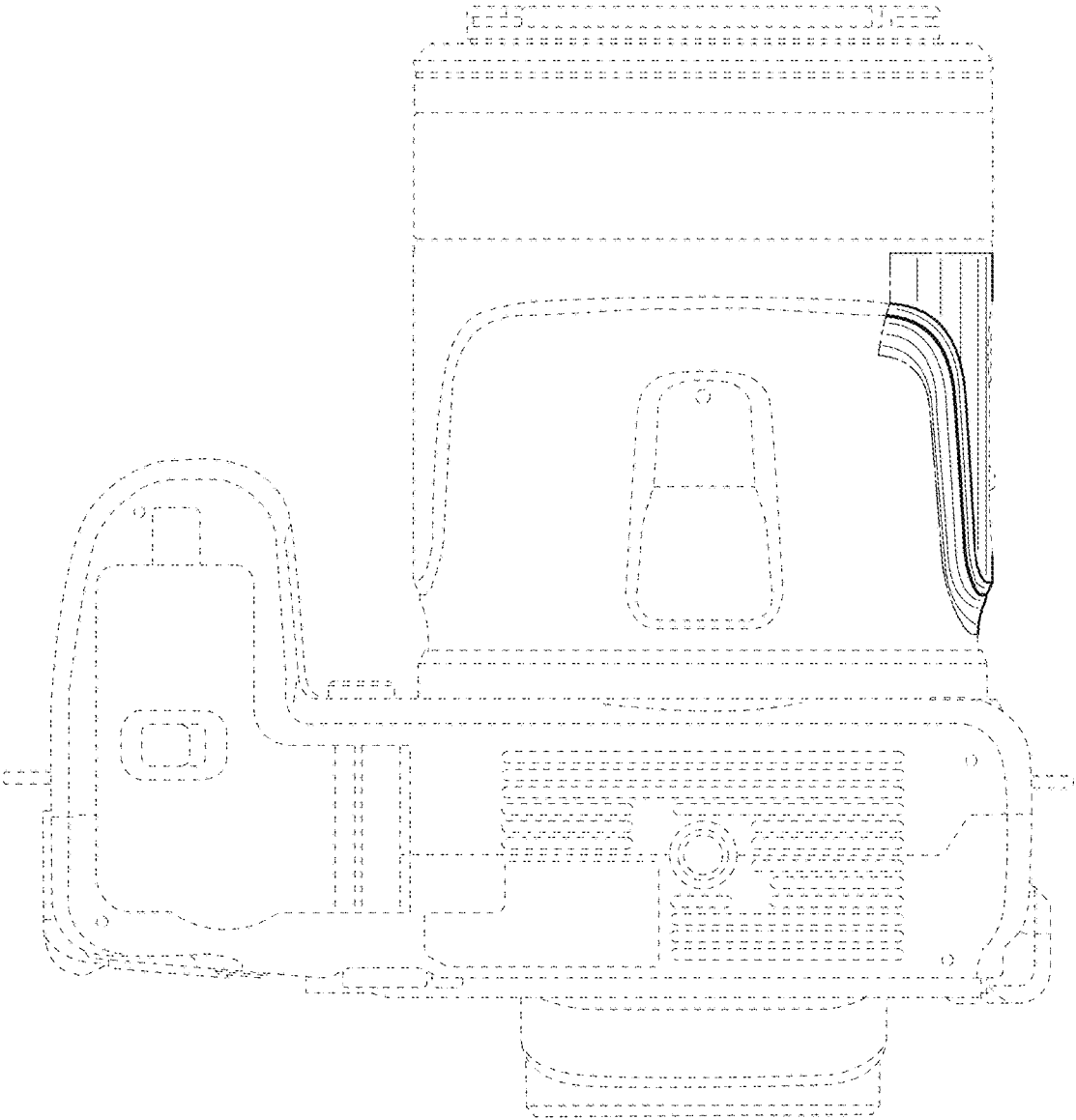


FIG. 4

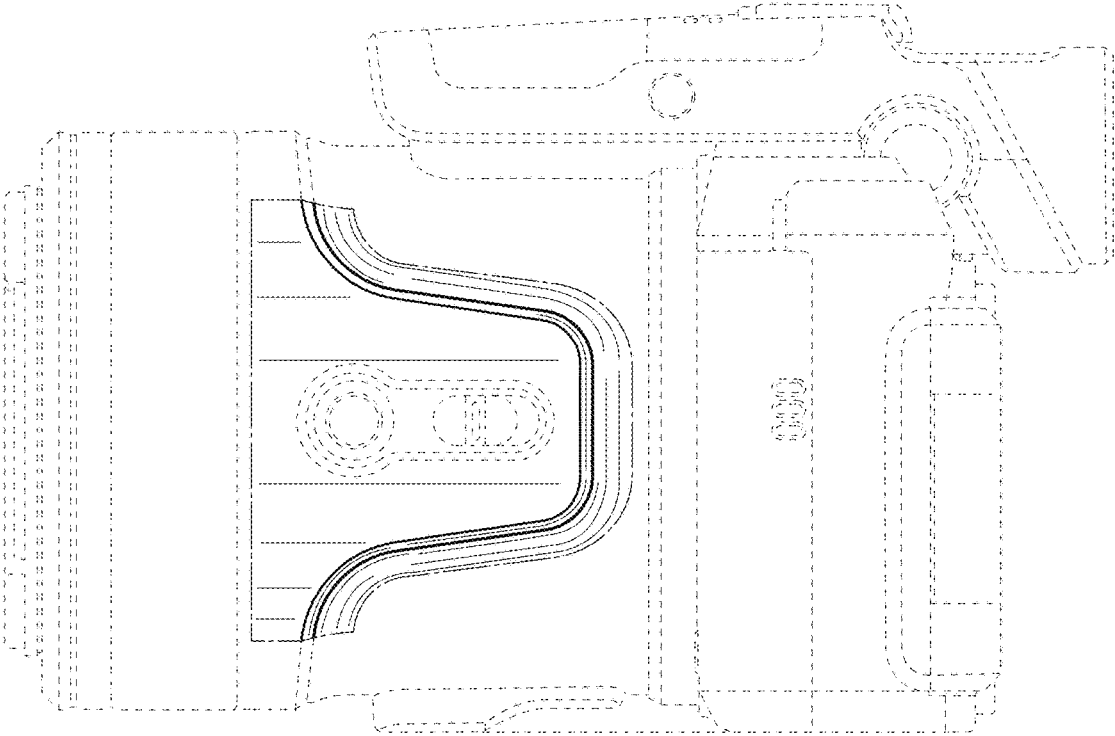


FIG. 5

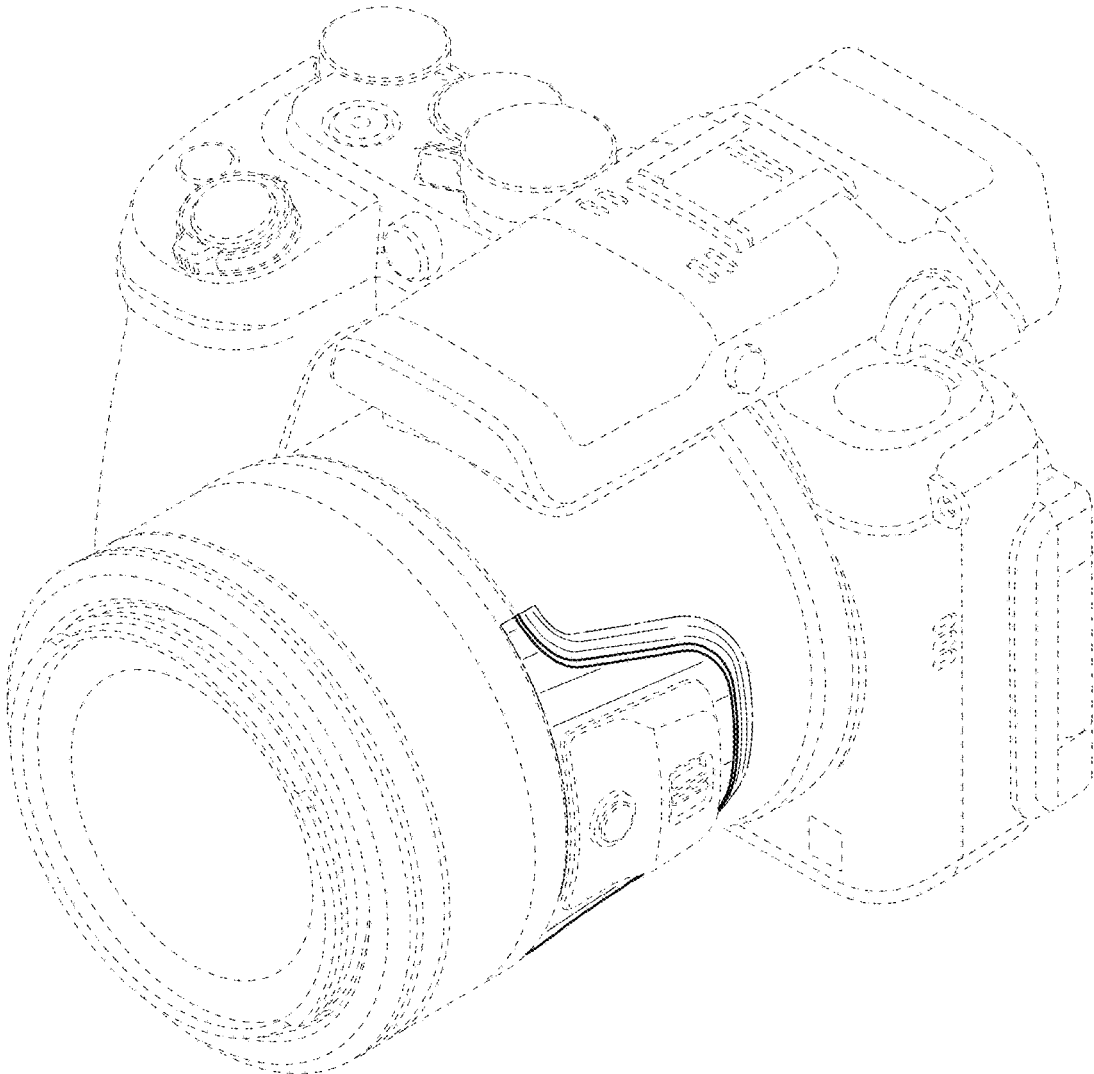


FIG. 6

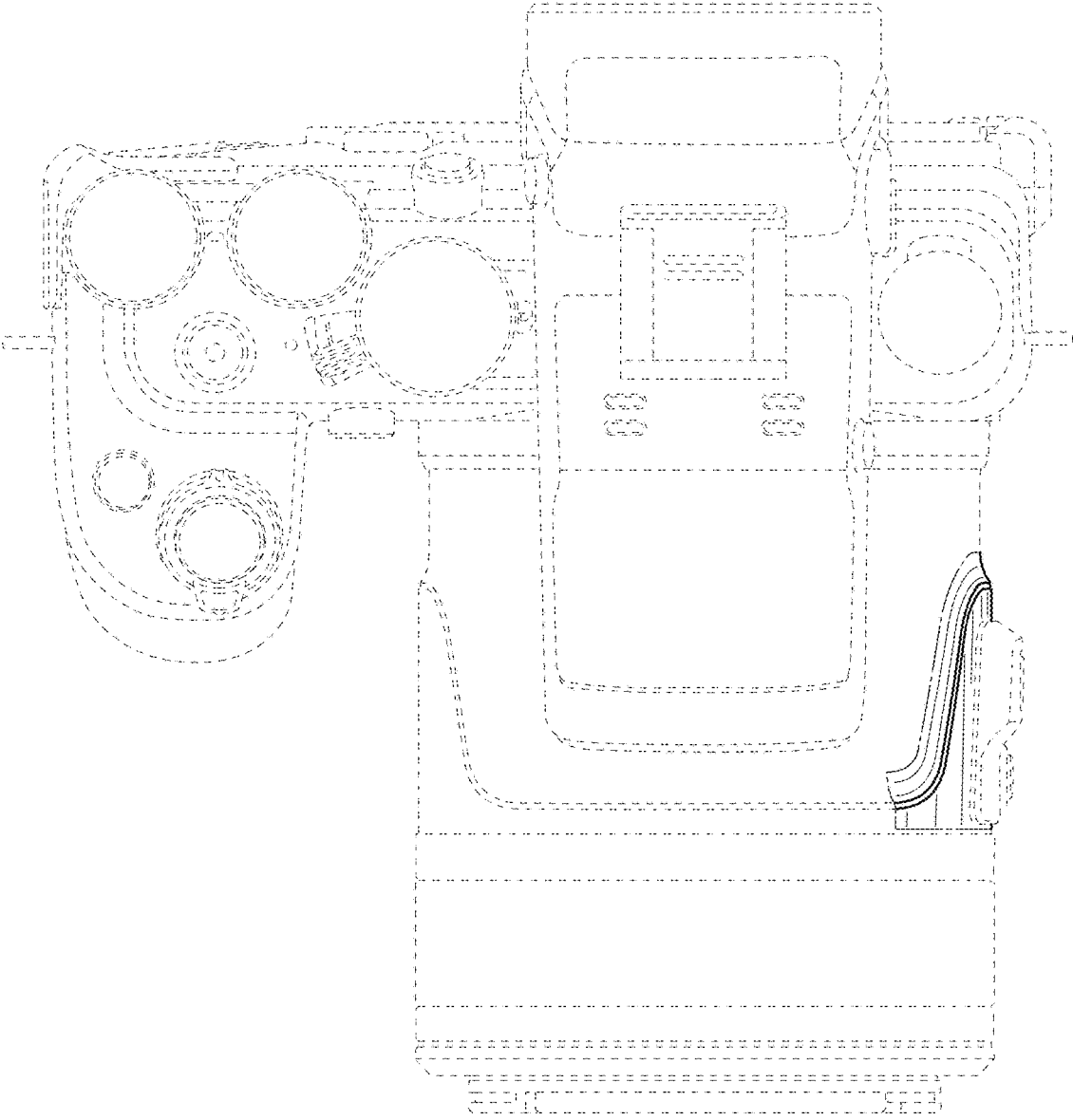


FIG. 7

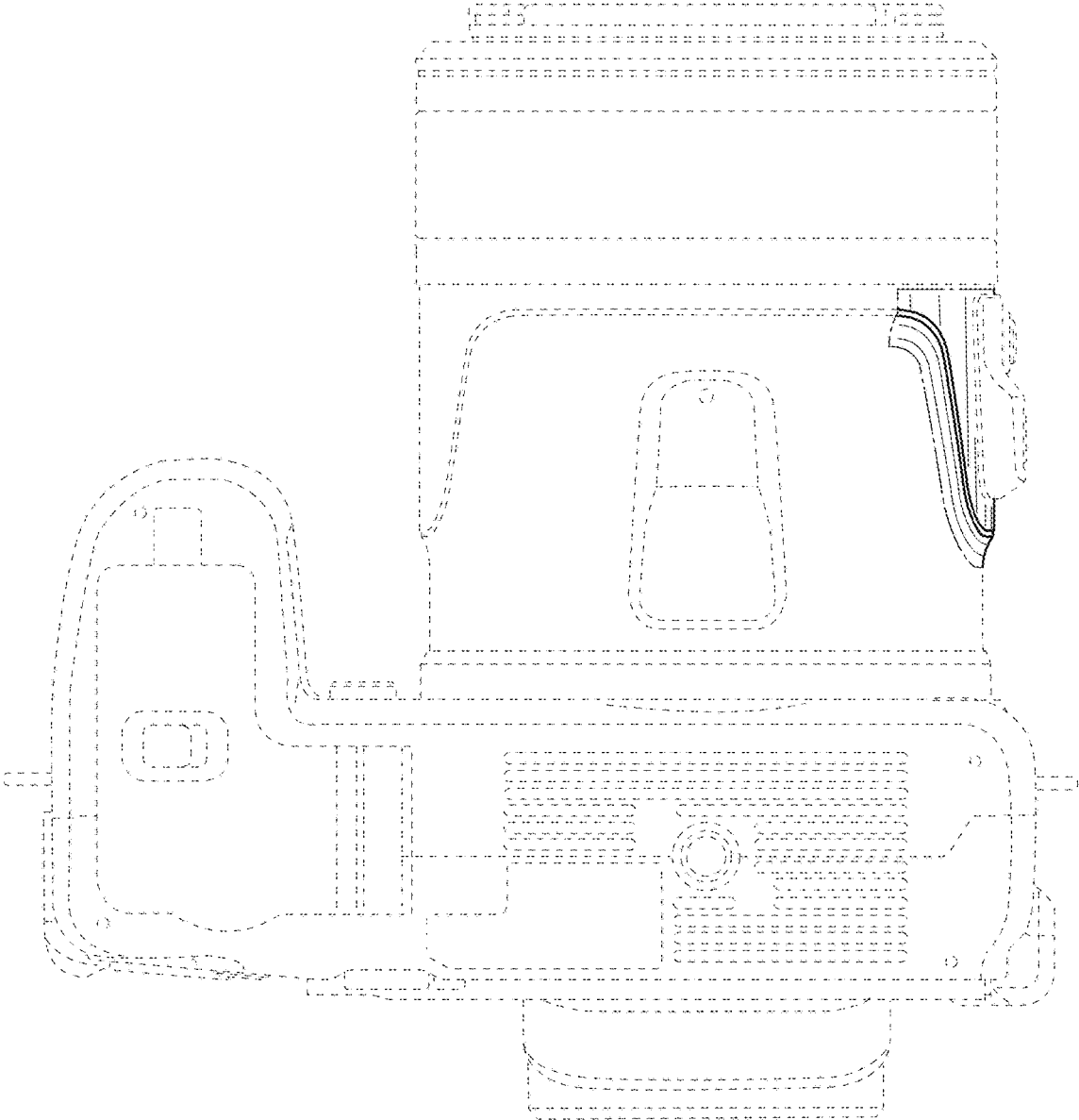


FIG. 8

