



- (51) International Patent Classification:
G01G 21/02 (2006.01) G01G 21/00 (2006.01)
- (21) International Application Number:
PCT/CN2017/072426
- (22) International Filing Date:
24 January 2017 (24.01.2017)
- (25) Filing Language:
English
- (26) Publication Language:
English
- (30) Priority Data:
201610076725.8 3 February 2016 (03.02.2016) CN
201620110321.1 3 February 2016 (03.02.2016) CN

- (71) Applicants: METTLER TOLEDO PRECISION INSTRUMENT COMPANY LIMITED [CN/CN]; No. 5 Huashan Road, Xinbei District, Changzhou, Jiangsu 213022 (CN). METTLER TOLEDO MEASUREMENT TECHNOLOGY COMPANY LIMITED [CN/CN]; No.111 Taihu Road, Xinbei District, Changzhou, Jiangsu 213125 (CN). METTLER TOLEDO WEIGHING EQUIPMENT COMPANY LIMITED [CN/CN]; No. 111 Taihu Road, Xinbei District, Changzhou, Jiangsu 213125 (CN).
- (72) Inventors: ZHANG, Ping; No. 5 Huashan Road, Xinbei District, Changzhou, Jiangsu 213022 (CN). CHAO, Zhihe; No. 5 Huashan Road, Xinbei District, Changzhou, Jiangsu 213022 (CN). GABIS, Christian; No. 5 Huashan Road, Xinbei District, Changzhou, Jiangsu 213022 (CN). LEAHY, Tom; No. 5 Huashan Road, Xinbei District, Changzhou, Jiangsu 213022 (CN).
- (74) Agent: SHANGHAI PATENT & TRADEMARK LAW OFFICE, LLC; 435 Guiping Road, Shanghai 200233 (CN).
- (81) Designated States (unless otherwise indicated, for every kind of national protection available): AE, AG, AL, AM,

[Continued on next page]

(54) Title: WEIGH MODULE

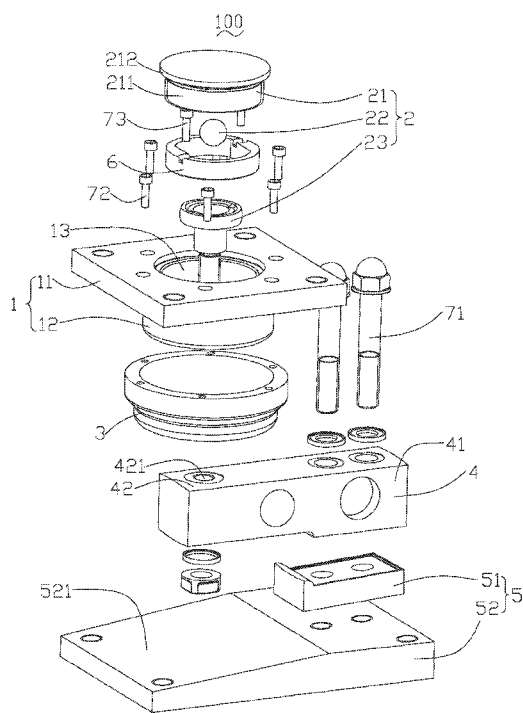


Fig 2

(57) Abstract: A weigh module (100) comprises a load cell (4), a supporting member (1) and a load transmitting arrangement (2). The supporting member (1) comprises a receiving hole (13) extending vertically and thoroughly. The load transmitting arrangement (2) comprises a connecting member (23), a bearing member (21) and a rolling ball (22). The connecting member (23) connects the load cell (4) to the supporting member (1). One end of the connecting member (23) is fixed to the load cell (4) and another end of the connecting member (23) extends into the receiving hole (13). The bearing member (21) is disposed in the receiving hole (13) and is fixed to the supporting member (1). The rolling ball (22) is disposed between the bearing member (21) and the connecting member (23), whereby the force applied on the supporting member (1) can be transferred to the load cell (4) via the bearing member (21), the rolling ball (22) and the connecting member (23).

WO 2017/133579 A1

AO, AT, AU, AZ, BA, BB, BG, BH, BN, BR, BW, BY, BZ, CA, CH, CL, CN, CO, CR, CU, CZ, DE, DJ, DK, DM, DO, DZ, EC, EE, EG, ES, FI, GB, GD, GE, GH, GM, GT, HN, HR, HU, ID, IL, IN, IR, IS, JP, KE, KG, KH, KN, KP, KR, KW, KZ, LA, LC, LK, LR, LS, LU, LY, MA, MD, ME, MG, MK, MN, MW, MX, MY, MZ, NA, NG, NI, NO, NZ, OM, PA, PE, PG, PH, PL, PT, QA, RO, RS, RU, RW, SA, SC, SD, SE, SG, SK, SL, SM, ST, SV, SY, TH, TJ, TM, TN, TR, TT, TZ, UA, UG, US, UZ, VC, VN, ZA, ZM, ZW.

GM, KE, LR, LS, MW, MZ, NA, RW, SD, SL, ST, SZ, TZ, UG, ZM, ZW), Eurasian (AM, AZ, BY, KG, KZ, RU, TJ, TM), European (AL, AT, BE, BG, CH, CY, CZ, DE, DK, EE, ES, FI, FR, GB, GR, HR, HU, IE, IS, IT, LT, LU, LV, MC, MK, MT, NL, NO, PL, PT, RO, RS, SE, SI, SK, SM, TR), OAPI (BF, BJ, CF, CG, CI, CM, GA, GN, GQ, GW, KM, ML, MR, NE, SN, TD, TG).

Published:

— with international search report (Art. 21(3))

(84) Designated States (unless otherwise indicated, for every kind of regional protection available): ARIPO (BW, GH,

WEIGH MODULE

Technical Field

[0001] The disclosed invention relates to a weigh module, and especially to a weigh module with a load transmitting arrangement.

Background of the Invention

[0002] In cement industry, metallurgy industry, chemical industry, food processing industry, petrochemical industry or other industries, when a weighed object is weighed, multiple weighing modules are installed under the weighed object, and automatically the weight of the weighed object is measured. When a force, such as an extrinsic wind force or an intrinsic force is applied on the weighed object, a horizontal force and a vertical force are transferred to the weighing module. If a structure doesn't have a horizontal protection structure and an anti-overturn structure, the weighed object can be moved in any direction, and the weigh module is easily damaged and the working reliability of the weigh module is lowered.

[0003] Therefore, an improved weigh module is needed.

Summary of the Invention

[0004] An object of the present invention is to provide a stable and compact weigh module.

[0005] According to one aspect of the present invention, a weigh module comprises a load cell, a supporting member and a load transmitting arrangement. The supporting member comprises a receiving hole extending vertically and thorough the supporting member. The load transmitting arrangement comprises a connecting member, a bearing member and a rolling ball. The connecting member connects the load cell to the supporting member. One end of the connecting member is fixed to the load cell and another end of the connecting member extends into the receiving hole. The bearing member is disposed in the receiving hole and is fixed to the supporting member. The rolling ball is disposed between the bearing member and the connecting member,

whereby the force applied on the supporting member can be transferred to the load cell via the bearing member, rolling ball and the connecting member.

[0006] Other objects, advantages and novel features of the invention will become more apparent from the following detailed description of a preferred embodiment when taken in conjunction with the accompanying drawings.

Brief Description of the Drawings

[0007] Details of the weigh module according to the invention will be apparent from the description of the embodiments that are illustrated in the drawings, wherein

FIGURE 1 represents an assembled, perspective view of the weigh module;

FIGURE 2 represents an exploded, perspective view of the weigh module;

FIGURE 3 represents a sectional view of the supporting member;

FIGURE 4 represents a partial sectional view of the weigh module;

FIGURE 5A represents an enlarged view of A in FIGURE 4;

FIGURE 5B represents an enlarged view of B in FIGURE 4;

FIGURE 6 represents a cross-sectional view taken along line C-C of FIGURE 4.

Detailed Description of the Inventions

[0008] **FIGURE 1** and **FIGURE 2** illustrates a weigh module 100, which comprises a load cell 4, a supporting member 1 used for installing a weighed object, a load transmitting arrangement 2, a seat plate 5 for mounting the load cell 4, a guiding member 6, a sealing member 3 and a plurality of bolts. **FIGURE 1** also represents the weigh module in the set-up for use position where the seat plate is at the bottom to contact with the ground and the supporting member on top for installing under the weighed object.

[0009] With reference to **FIGURE 2** and **FIGURE 3**, the supporting member 1 comprises a cylindrical body portion 12, a rectangle mounting portion 11 connecting with the body portion 12 and a receiving hole 13 extending vertically and through the supporting member 1. The receiving hole 13 comprises a cylindrical first receiving space 131, a cylindrical second receiving space 132 set above the first receiving space 131, a cylindrical third receiving space 133 set above the second receiving space 132 and a cylindrical fourth receiving space 134 set above the third receiving space 133. The third

receiving space 133 has thread 1331 in it. The first receiving space 131, the second receiving space 132, the third receiving space 133 and the fourth receiving space 134 have the same axis, and the diameter of the second receiving space 132 is bigger than that of the first receiving space 131, the diameter of the third receiving space 133 is bigger than that of the second receiving space and the diameter of the fourth receiving space 134 is bigger than that of the third receiving space 133.

[0010] The load cell 4 is a beam load cell. The load cell 4 comprises a fixed end 41 fixed to the seat plate 5 and a movable end 42 moving vertically relative to the fixed end 41. The movable end 42 comprises a fixing hole 421 extending vertically and thoroughly and two blind holes 422 set on the upper face of the movable end 42. Two first bolts 71 go through the load cell 4 and fix the load cell 4 to the seat plate 5.

[0011] The seat plate 5 comprises a base plate 52 and a connecting plate 51 disposed between the load cell 4 and the base plate 52. The first bolts 71 go through the load cell 4 and the connecting plate 51 and fix the load cell 4 to the base plate 5. The connecting plate 51 comprises a rigid portion 511 and a rubber layer 512 disposed on the surface of the rigid portion 511 so that a metal-to-metal connection is avoided. The height of the rubber layer 512 is about 20% higher than the height of the rigid portion 511 so that a good sealing property is obtained. For obtaining a good washing property, there is an oblique surface 521 in the upper surface of the base plate 51.

[0012] Further with reference to **FIGURE 4**, the load transmitting arrangement 2 comprises a bearing member 21, a connecting member 23 connecting the supporting member 1 to the load cell 4 and a rolling ball 22 disposed between the bearing member 21 and the connecting member 23. In a preferred embodiment, the rolling ball 22 is a steel ball.

[0013] The bearing member 21 comprises a cylindrical main body 211 disposed in the third receiving space 133 and a cylindrical end part 212 having the same axis with the main body 211. The diameter of the main body 211 is smaller than that of the end part 212. The main body 211 comprises thread on its surface and the end part 212 is disposed in the fourth receiving space 134. The main body 211 connects with the bearing member 21 by screw joint. When the bearing member 21 is disposed in the receiving hole 13, the bottom face of the end body 212 contacts with the bottom face of the fourth

face 134 (the step face between the fourth receiving space 134 and the third receiving space 133) so that a location in the vertical direction is obtained. The bearing member 21 and the supporting member 1 are assembled together by screw joint, the force in the vertical direction applied on the supporting member 1 can be transferred to the bearing member 21 and the water can be prevented from getting into the receiving hole 13 when the weigh module 100 is washed.

[0014] The bearing member 21 comprises an arc-shaped lower contact surface 213 connecting with the rolling ball 22. The connecting member 23 comprises an arc-shaped upper contact surface 2321. When a force is applied on the weighed object and the weighed object wobbles, this structure can assure that the bearing member 213, the rolling ball 22 and the connecting member 23 can be in a balanced position and the weighed object can't be fallen down because of loss of balance. In a preferred embodiment, the lower contact surface 213, the upper contact surface 2321 and the rolling ball are in point contact.

[0015] The connecting member 23 comprises a fixing end 231 fixed into the fixing hole 421, a limiting end 232 extending into the second receiving space 132 and a connecting part 233 connecting the limiting end 232 to the fixing end 231. The fixing end 231, the limiting end 232 and the connecting part 233 have the same axis, and in the horizontal direction, the limiting end 232 extends outwardly relative to the connecting part 233, so that the limiting end 232 can prevent the connecting member 23 from passing the first receiving space 131 in the vertical direction when in set-up for use. In a preferred embodiment, the end part of the fixing end 231 has thread on its surface. A screw cap 8 connects with the fixing end 231 by screw joint so that the connecting member 23 is fixed to the load cell 4. There is a distance b disposed between the bottom face of the limiting end 232 and the bottom face of the second receiving space 132.

[0016] In a preferred embodiment, the distance b is 3 mm. When in use, the supporting member 1 is disposed under the weighed object. When a force such as wind force, internal mixing force, airflow force, shake force or others is applied on the weighed object, the weighed object would fall down, and the weighed object would go upwards and the distance b becomes 0 mm. The bottom face of the limiting end 232 contacts with the bottom face of the second receiving space, so a counterforce is generated and the move

is stopped. This kind of structure can prevent the weighed object from falling down when a force is applied on the weighing object and a stable property is obtained.

[0017] A 360 degree limiting space is defined between the first receiving space 131 and the connecting part 233. When a force is applied on the weighed object in the horizontal direction, the limiting space permits the weighed object to have a small space and can be stopped after a small movement. This kind of structure can prevent the weighed object from falling down.

[0018] Further with reference to **FIGURE 5A** and **FIGURE 5B**, a sealing member 3 is disposed under the supporting member 1. The sealing member 3 can be fixed to the supporting member 1 by a second bolt 72. The sealing member 3 is a food-grade silicone. A first rigid part 312 is embedded in the first end 311 of the sealing member 3 and the first rigid part 312 has thread in it. When mounting the sealing member 3, the second bolt 72 connects with the first rigid part 312 by screw joint and fixes the first end 311 to the bottom face 111 of the supporting member 1. Because the first rigid part 312 is embedded in the first end 311, a good sealing property is obtained between the first end 311 of the sealing member 3 and the supporting member 1.

[0019] The connecting member 23 goes through the sealing member 3 and extends into the fixed hole 421. A second rigid part 322 is embedded in the second end 321. The second rigid part 322 is fixed between the load cell 4 and the step face 2331 of the connecting member 23. The height of the sealing member 3 is higher than that of the second rigid part 322, so that a good sealing is obtained therebetween. In the washing environment, the sealing member 3 prevents the water from getting into the receiving hole 13 and the fixing hole 421 so that the possibility of the microorganism breeding is lowered. A swelled raised portion 323 next to the second end 321 is horizontal arranged in the sealing member 3. When there is horizontal force applied, because of the elastic character of silicon rubber, the swelled raised portion 323 generates a restoring force that pulls back the displaced supporting member 1 to the center position, which is the best for accuracy.

[0020] Two limiting portions 3221 are formed on the sealing member 3. The two limiting portions 3221 are inserted into two blind holes 422 of the load cell 4, this stops the rotation of the sealing member 3 when tighten the fixing end 231, and makes sure the

sealing member 3 is always aligned with the load cell's axis. In a preferred embodiment, the limiting portions 3221 are formed on the second rigid part 322.

[0021] Further with reference to **FIGURE 6**, the weigh module 100 can further comprise a guiding member 6 fixed to the supporting member 1. The guiding member 6 comprises a guiding space 61 extending vertically and two parallel inner faces (611, 612) are defined in the guiding space 61. The connecting member 23 extends into the guiding space 61 and connects with the two inner faces (611, 612). In other embodiment, there is a small distance between the connecting member 23 and the two inner faces (611, 612). The weigh module 100 can sustainably move in a direction parallel to the inner faces (321, 322) in the horizontal direction, and the weigh module 100 can't move in the direction perpendicular to the inner faces (611, 612). In the preferred embodiment, the guiding member 6 is a ring-shaped structure, and the contact between the guiding member 6 and the connecting member 23 is a point contact. The guiding space 61 and the two parallel inner faces (611, 612) can also be defined by the supporting member 1 and the guiding member 6 as a one piece design of the supporting member 1 and the guiding member 6.

[0022] Although the present invention has been described with reference to particular embodiments, it is not to be construed as being limited thereto. Various alterations and modifications can be made to the embodiments without in any way departing from the scope or spirit of the present invention as defined in the appended claims.

CLAIMS

What is claimed is:

Claim 1. A weigh module, comprising:

a load cell;

a supporting member comprising a receiving hole extending vertically and through the supporting member; and

a load transmitting arrangement, comprising:

a connecting member connecting the load cell to the supporting member, one end of the connecting member fixed to the load cell and another end of the connecting member extending into the receiving hole;

a bearing member disposed in the receiving hole and fixed to the supporting member; and

a rolling ball disposed between the bearing member and the connecting member, whereby the force in the vertical direction applied on the supporting member can be transferred to the load cell via the bearing member, rolling ball and the connecting member.

Claim 2. The weigh module of claim 1, wherein:

the receiving hole comprises thread therein, the bearing member and the supporting member connecting together by screw joint.

Claim 3. The weigh module of claim 1, wherein:

the receiving hole comprises a first receiving space and a second receiving space connecting with the first receiving space, the connecting member comprising a limiting end extending into the second receiving space, a fixing end fixed to the load cell and a connecting part connecting the limiting end to the fixing end, the limiting end being configured to prevent the supporting member to be lift off from the connecting member in the vertical direction.

Claim 4. The weigh module of claim 3, wherein:

a distance is defined between the bottom face of the limiting end and the bottom face of the second receiving space.

Claim 5. The weigh module of claim 3, wherein:

the first receiving space, the second receiving space and the connecting member have a same axis.

Claim 6. The weigh module of claim 3, wherein:

the connecting part is in clearance fit with the first receiving space, the weigh module further comprising a sealing member for sealing the clearance between the connecting part and the receiving space.

Claim 7. The weigh module of claim 6, wherein:

the sealing member is made of rubber material, a first rigid part with thread being embedded in the first end of the sealing member and a second rigid part with thread being embedded in the second end of the sealing member, a bolt connecting with the first rigid part by screw joint for fixing the first end to the supporting member, the second rigid part fixed between the upper face of the load cell and the step face of the connecting member.

Claim 8. The weigh module of claim 1, wherein:

the bearing member comprises a arc-shaped lower surface and the connecting member comprises a arc-shaped upper surface, the rolling ball being in point contact with the lower surface and the upper surface respectively.

Claim 9. The weigh module of claim 1, wherein:

a distance is defined between the supporting member and the load cell.

Claim 10. The weigh module of claim 1, further comprising:

a guiding member fixed in the receiving hole, the guiding member comprising two parallel inner surfaces which cooperate with connecting member for moving the supporting member substantially in a direction parallel with the two inner surfaces.

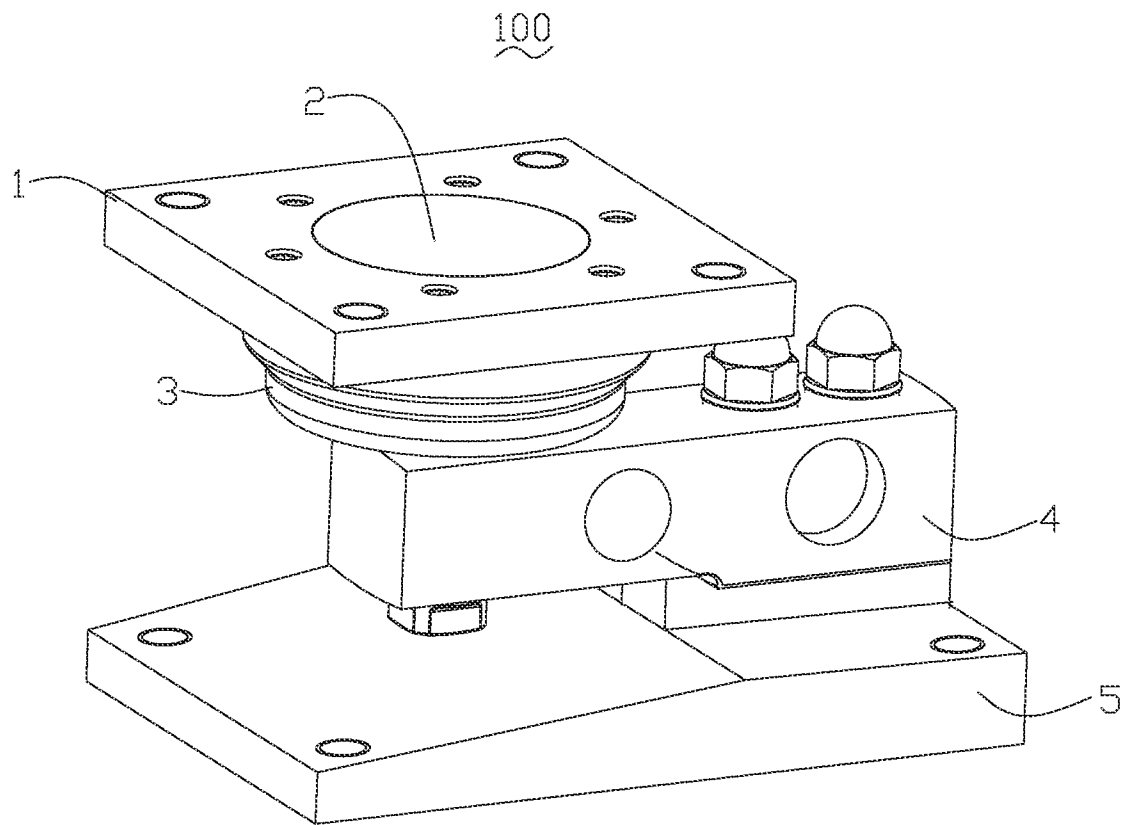


Fig 1

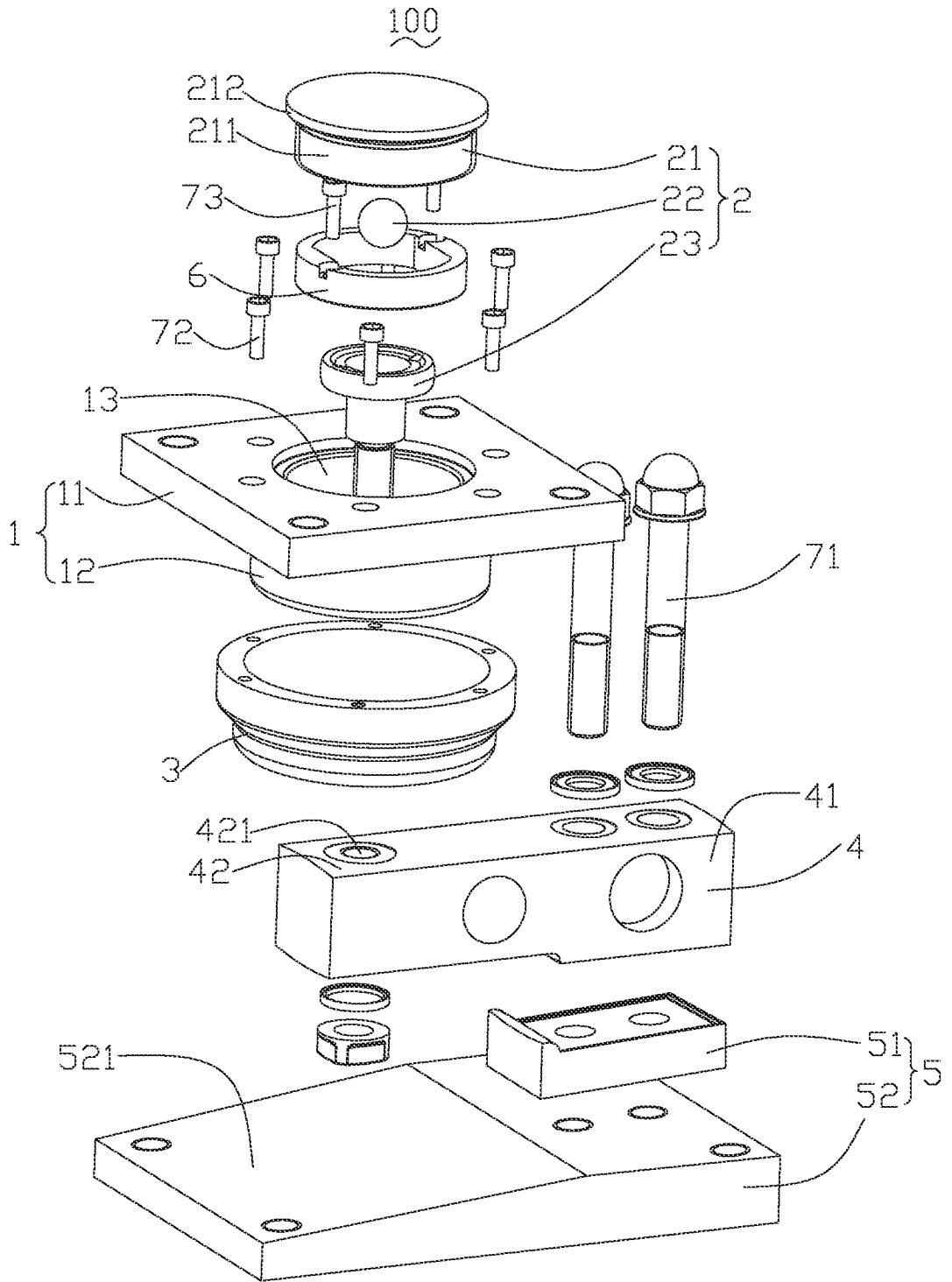


Fig 2

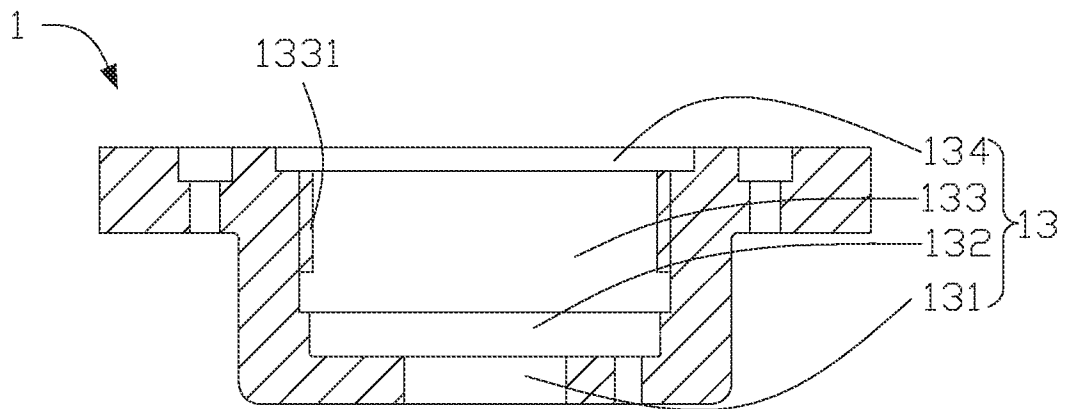


Fig 3

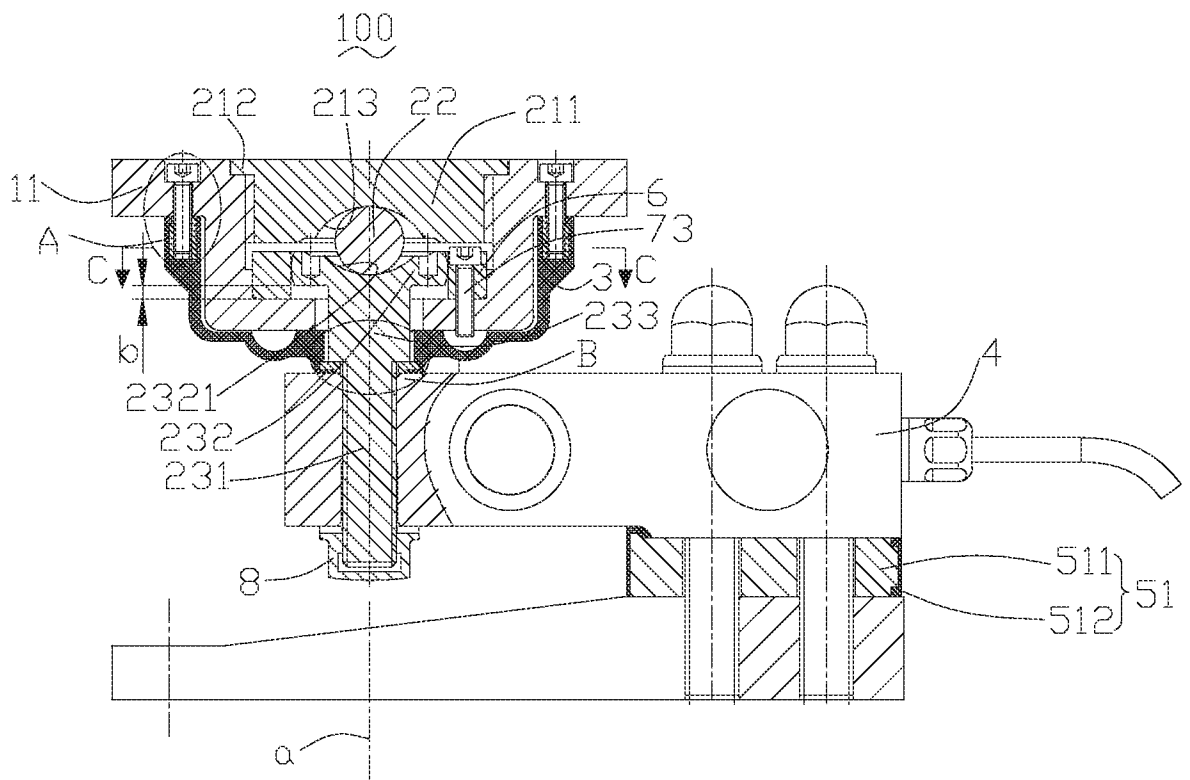
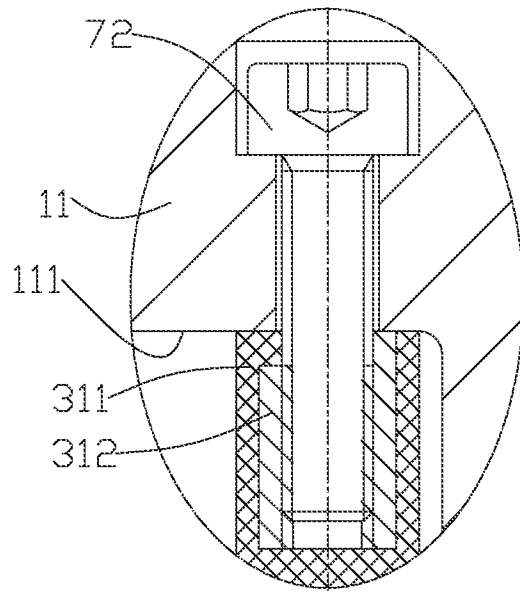


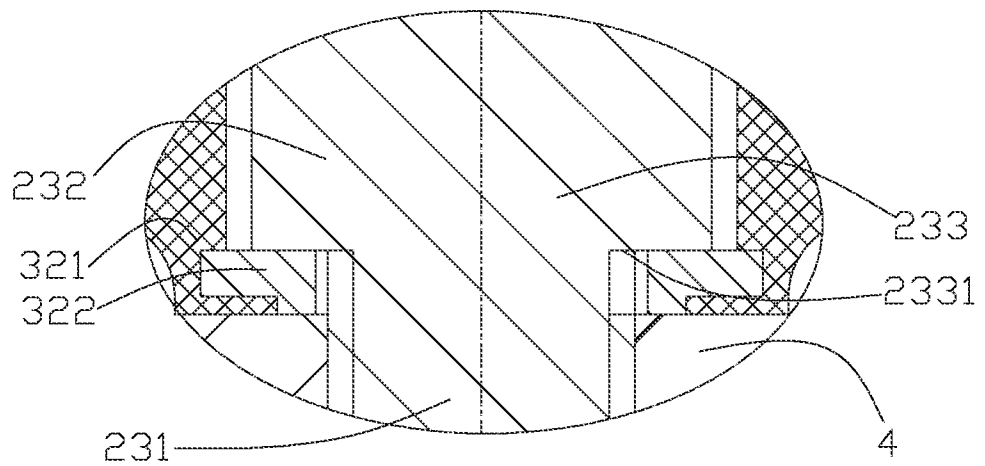
Fig 4

5/6



A

Fig 5A



B

Fig 5B

6/6

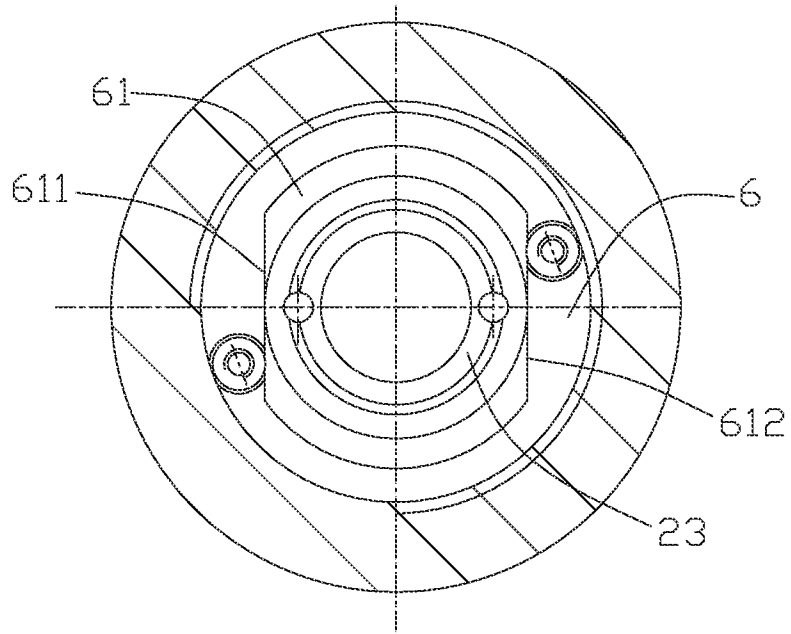


Fig 6

INTERNATIONAL SEARCH REPORT

International application No.

PCT/CN2017/072426

A. CLASSIFICATION OF SUBJECT MATTER		
G01G 21/02(2006.01)i; G01G 21/00(2006.01)i		
According to International Patent Classification (IPC) or to both national classification and IPC		
B. FIELDS SEARCHED		
Minimum documentation searched (classification system followed by classification symbols)		
G01G		
Documentation searched other than minimum documentation to the extent that such documents are included in the fields searched		
Electronic data base consulted during the international search (name of data base and, where practicable, search terms used)		
CNABS, CNTXT, VEN, CJFD; weigh???, load cell, sensor, support???, connect???, seal???, horizontal, vertical, rubber, ball		
C. DOCUMENTS CONSIDERED TO BE RELEVANT		
Category*	Citation of document, with indication, where appropriate, of the relevant passages	Relevant to claim No.
Y	CN 101949730 A (METTLER TOLEDO CHANGZHOU MEASUREMENT CO LTD ET AL.) 19 January 2011 (2011-01-19) paragraphs [0019] to [0021] in the description, figures 1-4	1-10
Y	CN 203287086 U (NINGBO KELI SENSING TECHNOLOGY CO LTD) 13 November 2013 (2013-11-13) paragraph [0020] in the description, figure 1	1-10
Y	CN 201803775 U (METTLER-TOLEDO CHANGZHOU MEASUREMENT CO LTD ET AL.) 20 April 2011 (2011-04-20) paragraphs [0019] to [0021] in the description, figures 1-4	1-10
PX	CN 205483226 U (METTLER-TOLEDO CHANGZHOU PRECISION EQUIP ET AL.) 17 August 2016 (2016-08-17) claims 1-10	1-10
PX	CN 205483227 U (METTLER-TOLEDO CHANGZHOU PRECISION EQUIP ET AL.) 17 August 2016 (2016-08-17) paragraphs [0023] to [0038] in the description, figures 1-6	1-10
<input checked="" type="checkbox"/> Further documents are listed in the continuation of Box C. <input checked="" type="checkbox"/> See patent family annex.		
* Special categories of cited documents: "A" document defining the general state of the art which is not considered to be of particular relevance "E" earlier application or patent but published on or after the international filing date "L" document which may throw doubts on priority claim(s) or which is cited to establish the publication date of another citation or other special reason (as specified) "O" document referring to an oral disclosure, use, exhibition or other means "P" document published prior to the international filing date but later than the priority date claimed "T" later document published after the international filing date or priority date and not in conflict with the application but cited to understand the principle or theory underlying the invention "X" document of particular relevance; the claimed invention cannot be considered novel or cannot be considered to involve an inventive step when the document is taken alone "Y" document of particular relevance; the claimed invention cannot be considered to involve an inventive step when the document is combined with one or more other such documents, such combination being obvious to a person skilled in the art "&" document member of the same patent family		
Date of the actual completion of the international search		Date of mailing of the international search report
18 April 2017		26 April 2017
Name and mailing address of the ISA/CN		Authorized officer
STATE INTELLECTUAL PROPERTY OFFICE OF THE P.R.CHINA 6, Xitucheng Rd., Jimen Bridge, Haidian District, Beijing 100088 China		HU, Yuelan
Facsimile No. (86-10)62019451		Telephone No. (86-10)62089902

INTERNATIONAL SEARCH REPORT

International application No.

PCT/CN2017/072426

C. DOCUMENTS CONSIDERED TO BE RELEVANT		
Category*	Citation of document, with indication, where appropriate, of the relevant passages	Relevant to claim No.
PX	CN 205483228 U (METTLER-TOLEDO CHANGZHOU PRECISION EQUIP ET AL.) 17 August 2016 (2016-08-17) paragraphs [0029] to [0042] in the description, figures 1-6	1-10
A	CN 101101231 A (METTLER TOLEDO AG) 09 January 2008 (2008-01-09) the whole document	1-10
A	CN 2331962 Y (MEITELE TOLIDUO CHANGZHOU WEIG) 04 August 1999 (1999-08-04) the whole document	1-10
A	CN 201772922 U (METTLER TOLEDO MEASUREMENT CO LTD ET AL.) 23 March 2011 (2011-03-23) the whole document	1-10
A	CN 101078649 A (METTLER TOLEDO CHANGZHOU WEIGHING EQUIP ET AL.) 28 November 2007 (2007-11-28) the whole document	1-10
A	EP 1785704 A1 (METTLER TOLEDO AG) 16 May 2007 (2007-05-16) the whole document	1-10

INTERNATIONAL SEARCH REPORT
Information on patent family members

International application No.

PCT/CN2017/072426

Patent document cited in search report			Publication date (day/month/year)	Patent family member(s)			Publication date (day/month/year)
CN	101949730	A	19 January 2011	CN	101949730	B	16 May 2012
CN	203287086	U	13 November 2013	None			
CN	201803775	U	20 April 2011	None			
CN	205483226	U	17 August 2016	None			
CN	205483227	U	17 August 2016	None			
CN	205483228	U	17 August 2016	None			
CN	101101231	A	09 January 2008	EP	1876432	A8	26 March 2008
				US	2008006451	A1	10 January 2008
				EP	1876432	A1	09 January 2008
				JP	2008046115	A	28 February 2008
				CN	101101231	B	14 December 2011
				US	7371978	B2	13 May 2008
CN	2331962	Y	04 August 1999	None			
CN	201772922	U	23 March 2011	None			
CN	101078649	A	28 November 2007	CN	100498245	C	10 June 2009
EP	1785704	A1	16 May 2007	None			