

(19) World Intellectual Property Organization  
International Bureau



(43) International Publication Date  
28 December 2006 (28.12.2006)

PCT

(10) International Publication Number  
WO 2006/138631 A3

- (51) International Patent Classification:  
G08B 23/00 (2006.01)
- (21) International Application Number:  
PCT/US2006/023596
- (22) International Filing Date: 16 June 2006 (16.06.2006)
- (25) Filing Language: English
- (26) Publication Language: English
- (30) Priority Data:  
60/691,789 17 June 2005 (17.06.2005) US  
11/424,442 15 June 2006 (15.06.2006) US
- (71) Applicant (for all designated States except US): **WORLD PRODUCTS, INC.** [US/US]; 19654 8th Street East, Sanoma, CA 95476 (US).
- (72) Inventors; and
- (75) Inventors/Applicants (for US only): **SMITH, Norman** [US/US]; 4020 Shadowhill Drive, Santa Rosa, CA 95404 (US). **HERTEL, Thorsten, W.** [US/US]; 11350 Four Points Drive, #1427, Austin, TX 78726 (US).
- (74) Agents: **BONDI, Michael, A.** et al.; Patterson, Thuente, Skaar & Christensen, P.A., 4800 IDS Center, 80 South Eighth Street, Minneapolis, MN 55402-2100 (US).

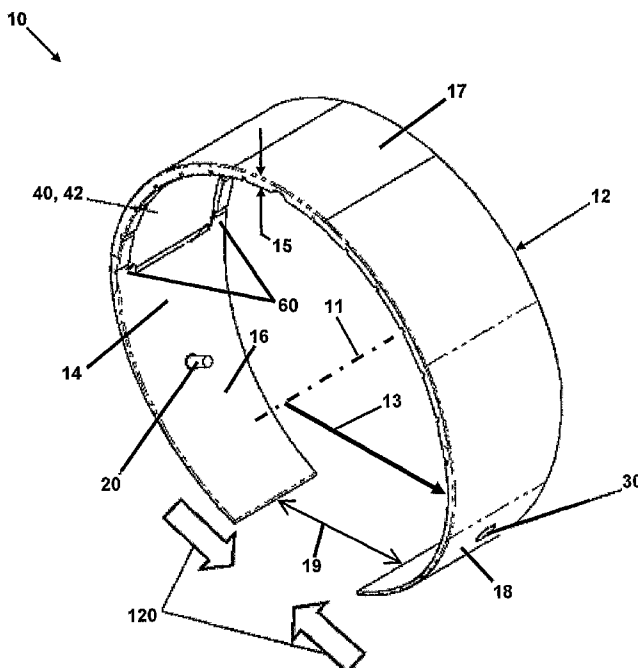
- (81) Designated States (unless otherwise indicated, for every kind of national protection available): AE, AG, AL, AM, AT, AU, AZ, BA, BB, BG, BR, BW, BY, BZ, CA, CH, CN, CO, CR, CU, CZ, DE, DK, DM, DZ, EC, EE, EG, ES, FI, GB, GD, GE, GH, GM, HR, HU, ID, IL, IN, IS, JP, KE, KG, KM, KN, KP, KR, KZ, LA, LC, LK, LR, LS, LT, LU, LV, LY, MA, MD, MG, MK, MN, MW, MX, MZ, NA, NG, NI, NO, NZ, OM, PG, PH, PL, PT, RO, RS, RU, SC, SD, SE, SG, SK, SL, SM, SY, TJ, TM, TN, TR, TT, TZ, UA, UG, US, UZ, VC, VN, ZA, ZM, ZW.
- (84) Designated States (unless otherwise indicated, for every kind of regional protection available): ARIPO (BW, GH, GM, KE, LS, MW, MZ, NA, SD, SL, SZ, TZ, UG, ZM, ZW), Eurasian (AM, AZ, BY, KG, KZ, MD, RU, TJ, TM), European (AT, BE, BG, CH, CY, CZ, DE, DK, EE, ES, FI, FR, GB, GR, HU, IE, IS, IT, LT, LU, LV, MC, NL, PL, PT, RO, SE, SI, SK, TR), OAPI (BF, BJ, CF, CG, CI, CM, GA, GN, GQ, GW, ML, MR, NE, SN, TD, TG).

**Published:**

- with international search report
- before the expiration of the time limit for amending the claims and to be republished in the event of receipt of amendments

[Continued on next page]

(54) Title: UNIVERSAL ANTENNA HOUSING



(57) Abstract: A universal antenna housing suited for deployment under the glass dome of a utility meter. The housing is fitted with an integrated antenna for wireless radio communications. Applications include the transmission and receiving of radio communication for wireless automatic meter reading (AMR) systems, as well as commercial, industrial or residential utility meters that operate at a plurality of unlicensed or licensed radio frequencies. A configuration and method for economical assembly of an antenna is also disclosed.

WO 2006/138631 A3



---

**(88) Date of publication of the international search report:**

1 March 2007

*For two-letter codes and other abbreviations, refer to the "Guidance Notes on Codes and Abbreviations" appearing at the beginning of each regular issue of the PCT Gazette.*

INTERNATIONAL SEARCH REPORT

International application No.

PCT/US 06/23596

A. CLASSIFICATION OF SUBJECT MATTER

IPC(8) - G08B 23/00 (2006.01)  
USPC - 340/693.5

According to International Patent Classification (IPC) or to both national classification and IPC

B. FIELDS SEARCHED

Minimum documentation searched (classification system followed by classification symbols)  
USPC - 123/455; 220/4.02; 340/815.49

Documentation searched other than minimum documentation to the extent that such documents are included in the fields searched

Electronic data base consulted during the international search (name of data base and, where practicable, search terms used)

Electronic data base: USPTO WEST

Search terms used: antenna (assembly or housing), mounting surface, low profile antenna, glass mount, meter, pcb

C. DOCUMENTS CONSIDERED TO BE RELEVANT

Category*	Citation of document, with indication, where appropriate, of the relevant passages	Relevant to claim No.
X --- Y	US 5,260,853 A (Yap) 9 November 1993 (09.11.1993), [Figs. 4,5, (Col 2 ln 28-38), (col 2 ln 39-44), (col 4 ln 58-62)]	1-7 and 9-20 ----- 8
Y	US 2,798,781 A (Anderson) 9 July 1957 (09.07.1957), [col 2 ln 65]	8
A	US 6,201,712 B1 (Barnett) 13 March 2001 (13.03.2001)	1-20

Further documents are listed in the continuation of Box C.

\* Special categories of cited documents:

"A" document defining the general state of the art which is not considered to be of particular relevance

"E" earlier application or patent but published on or after the international filing date

"L" document which may throw doubts on priority claim(s) or which is cited to establish the publication date of another citation or other special reason (as specified)

"O" document referring to an oral disclosure, use, exhibition or other means

"P" document published prior to the international filing date but later than the priority date claimed

"T" later document published after the international filing date or priority date and not in conflict with the application but cited to understand the principle or theory underlying the invention

"X" document of particular relevance; the claimed invention cannot be considered novel or cannot be considered to involve an inventive step when the document is taken alone

"Y" document of particular relevance; the claimed invention cannot be considered to involve an inventive step when the document is combined with one or more other such documents, such combination being obvious to a person skilled in the art

"&" document member of the same patent family

Date of the actual completion of the international search

8 November 2006 (8.11.2006)

Date of mailing of the international search report

26 DEC 2006

Name and mailing address of the ISA/US

Mail Stop PCT, Attn: ISA/US, Commissioner for Patents  
P.O. Box 1450, Alexandria, Virginia 22313-1450  
Facsimile No. 571-273-3201

Authorized officer:

Lee W. Young

PCT Helpdesk: 571-272-4300  
PCT OSP: 571-272-7774