

(19) World Intellectual Property Organization
International Bureau



(43) International Publication Date
16 April 2009 (16.04.2009)

PCT

(10) International Publication Number
WO 2009/047626 A3

- (51) International Patent Classification:
B65D 49/04 (2006.01)
- (21) International Application Number:
PCT/IB2008/002765
- (22) International Filing Date: 8 October 2008 (08.10.2008)
- (25) Filing Language: Italian
- (26) Publication Language: English
- (30) Priority Data:
MI2007A001970 12 October 2007 (12.10.2007) IT
- (71) Applicant and
- (72) Inventor: **FABIANO, Nicola** [IT/IT]; Via Fratelli
Mascherpa 1, I-20090 Buccinasco (Milan) (IT).
- (74) Agent: **DE GREGORI, Antonella**; Barzano' & Zanardo
Milano S.p.A., Via Borgonuovo, 10, I-20121 Milan (IT).
- (81) Designated States (*unless otherwise indicated, for every
kind of national protection available*): AE, AG, AL, AM,
AO, AT, AU, AZ, BA, BB, BG, BH, BR, BW, BY, BZ, CA,
CH, CN, CO, CR, CU, CZ, DE, DK, DM, DO, DZ, EC, EE,

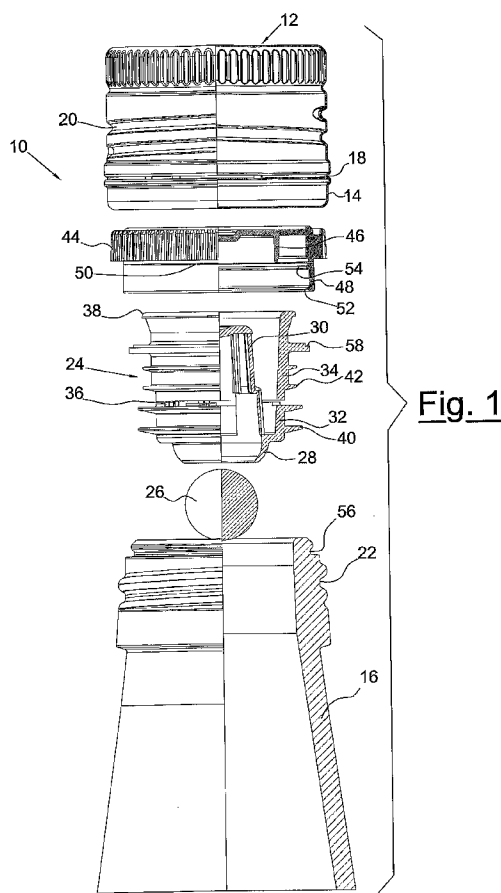
EG, ES, FI, GB, GD, GE, GH, GM, GT, HN, HR, HU, ID,
IL, IN, IS, JP, KE, KG, KM, KN, KP, KR, KZ, LA, LC, LK,
LR, LS, LT, LU, LY, MA, MD, ME, MG, MK, MN, MW,
MX, MY, MZ, NA, NG, NI, NO, NZ, OM, PG, PH, PL, PT,
RO, RS, RU, SC, SD, SE, SG, SK, SL, SM, ST, SV, SY, TJ,
TM, TN, TR, TT, TZ, UA, UG, US, UZ, VC, VN, ZA, ZM,
ZW.

(84) Designated States (*unless otherwise indicated, for every
kind of regional protection available*): ARIPO (BW, GH,
GM, KE, LS, MW, MZ, NA, SD, SL, SZ, TZ, UG, ZM,
ZW), Eurasian (AM, AZ, BY, KG, KZ, MD, RU, TJ, TM),
European (AT, BE, BG, CH, CY, CZ, DE, DK, EE, ES, FI,
FR, GB, GR, HR, HU, IE, IS, IT, LT, LU, LV, MC, MT, NL,
NO, PL, PT, RO, SE, SI, SK, TR), OAPI (BF, BJ, CF, CG,
CI, CM, GA, GN, GQ, GW, ML, MR, NE, SN, TD, TG).

Published:
— with international search report
— before the expiration of the time limit for amending the
claims and to be republished in the event of receipt of
amendments

[Continued on next page]

(54) Title: ANTI-ADULTERATION CLOSURE DEVICE FOR BOTTLES



(57) Abstract: Herein described is an anti-adulteration closure device (10) for bottles (16), comprising a covering shell (12) of the capsule type, joined with an annular band (14) surrounding the neck of the bottle (16) by means of a predefined breakable annular ring (18), and a pouring spout or diffuser (24), pressure-inserted into the neck of the bottle (16). The diffuser (24) is made up of at least one first lower annular element (32), therein provided with a valve (26; 28; 30) for dispensing the contents of the bottle (16), and at least one second upper annular element (34), provided with an edge (38) for dispensing the contents of the bottle (16). The first lower annular element (32) and the second upper annular element (34) are coaxial and they are connected to each other by means of a plurality of frangible bridges (36).

WO 2009/047626 A3



(88) Date of publication of the international search report:
28 May 2009

INTERNATIONAL SEARCH REPORT

International application No
PCT/IB2008/002765

A. CLASSIFICATION OF SUBJECT MATTER INV. B65D49/04		
According to International Patent Classification (IPC) or to both national classification and IPC		
B. FIELDS SEARCHED		
Minimum documentation searched (classification system followed by classification symbols) B65D		
Documentation searched other than minimum documentation to the extent that such documents are included in the fields searched		
Electronic data base consulted during the international search (name of data base and, where practical, search terms used) EPO-Internal		
C. DOCUMENTS CONSIDERED TO BE RELEVANT		
Category*	Citation of document, with indication, where appropriate, of the relevant passages	Relevant to claim No.
X	GB 2 436 560 A (OBRIST CLOSURES SWITZERLAND [CH]) 3 October 2007 (2007-10-03) the whole document	1-9
X	US 6 357 614 B1 (KERR PETER DOUGLAS [GB]) 19 March 2002 (2002-03-19) column 3, line 60 - column 4, line 50; figures 1,2	1,4-9
A	EP 0 847 930 A (ALUCAPVIT SPA [IT]) 17 June 1998 (1998-06-17) the whole document	1-11
A	US 4 258 854 A (WRIGHT THOMAS E) 31 March 1981 (1981-03-31) the whole document	1-11
<input type="checkbox"/> Further documents are listed in the continuation of Box C. <input checked="" type="checkbox"/> See patent family annex.		
* Special categories of cited documents : *A* document defining the general state of the art which is not considered to be of particular relevance *E* earlier document but published on or after the international filing date *L* document which may throw doubts on priority claim(s) or which is cited to establish the publication date of another citation or other special reason (as specified) *O* document referring to an oral disclosure, use, exhibition or other means *P* document published prior to the international filing date but later than the priority date claimed *T* later document published after the international filing date or priority date and not in conflict with the application but cited to understand the principle or theory underlying the invention *X* document of particular relevance; the claimed invention cannot be considered novel or cannot be considered to involve an inventive step when the document is taken alone *Y* document of particular relevance; the claimed invention cannot be considered to involve an inventive step when the document is combined with one or more other such documents, such combination being obvious to a person skilled in the art. *&* document member of the same patent family		
Date of the actual completion of the international search 25 March 2009		Date of mailing of the international search report 31/03/2009
Name and mailing address of the ISA/ European Patent Office, P.B. 5818 Patentlaan 2 NL - 2280 HV Rijswijk Tel. (+31-70) 340-2040, Fax: (+31-70) 340-3016		Authorized officer Pernice, Ciro

INTERNATIONAL SEARCH REPORT

Information on patent family members

International application No

PCT/IB2008/002765

Patent document cited in search report	Publication date	Patent family member(s)	Publication date
GB 2436560	A	03-10-2007	NONE
<hr/>			
US 6357614	B1	19-03-2002	AT 223334 T 15-09-2002
		AU 6413798 A	20-10-1998
		BR 9808076 A	08-03-2000
		DE 69807715 D1	10-10-2002
		EP 1012059 A2	28-06-2000
		ES 2179471 T3	16-01-2003
		WO 9842587 A2	01-10-1998
		PT 1012059 E	31-01-2003
		RU 2205143 C2	27-05-2003
		TW 409109 B	21-10-2000
<hr/>			
EP 0847930	A	17-06-1998	DE 69707816 D1 06-12-2001
			DE 69707816 T2 02-01-2003
			ES 2162663 T3 01-01-2002
			IT SV960043 A1 10-06-1998
<hr/>			
US 4258854	A	31-03-1981	NONE
<hr/>			