

(19) World Intellectual Property Organization
International Bureau



(43) International Publication Date
2 May 2008 (02.05.2008)

PCT

(10) International Publication Number
WO 2008/051964 A3

- (51) International Patent Classification:
B28C 5/00 (2006.01) G05D 11/13 (2006.01)
- (21) International Application Number:
PCT/US2007/082213
- (22) International Filing Date: 23 October 2007 (23.10.2007)
- (25) Filing Language: English
- (26) Publication Language: English
- (30) Priority Data:
60/862,672 24 October 2006 (24.10.2006) US
11/876,491 22 October 2007 (22.10.2007) US
- (71) Applicant and
(72) Inventor: ROSAEN, Lars [US/US]; 46980 North Territorial Road, Plymouth, MI 48170 (US).
- (74) Agents: SCHNEIDER, Mark, D. et al.; Gifford, Krass, Sprinkle, Anderson & Citkowski, P.C., 2701 Troy Center Drive, Suite 330, Post Office Box 7021, Troy, MI 48007-7021 (US).
- (81) Designated States (unless otherwise indicated, for every kind of national protection available): AE, AG, AL, AM, AT, AU, AZ, BA, BB, BG, BH, BR, BW, BY, BZ, CA, CH, CN, CO, CR, CU, CZ, DE, DK, DM, DO, DZ, EC, EE, EG, ES, FI, GB, GD, GE, GH, GM, GT, HN, HR, HU, ID, IL,

IN, IS, JP, KE, KG, KM, KN, KP, KR, KZ, LA, LC, LK, LR, LS, LT, LU, LY, MA, MD, ME, MG, MK, MN, MW, MX, MY, MZ, NA, NG, NI, NO, NZ, OM, PG, PH, PL, PT, RO, RS, RU, SC, SD, SE, SG, SK, SL, SM, SV, SY, TJ, TM, TN, TR, TT, TZ, UA, UG, US, UZ, VC, VN, ZA, ZM, ZW.

(84) Designated States (unless otherwise indicated, for every kind of regional protection available): ARIPO (BW, GH, GM, KE, LS, MW, MZ, NA, SD, SL, SZ, TZ, UG, ZM, ZW), Eurasian (AM, AZ, BY, KG, KZ, MD, RU, TJ, TM), European (AT, BE, BG, CH, CY, CZ, DE, DK, EE, ES, FI, FR, GB, GR, HU, IE, IS, IT, LT, LU, LV, MC, MT, NL, PL, PT, RO, SE, SI, SK, TR), OAPI (BF, BJ, CF, CG, CI, CM, GA, GN, GQ, GW, ML, MR, NE, SN, TD, TG).

Declarations under Rule 4.17:

- as to applicant's entitlement to apply for and be granted a patent (Rule 4.17(ii))
- as to the applicant's entitlement to claim the priority of the earlier application (Rule 4.17(iii))

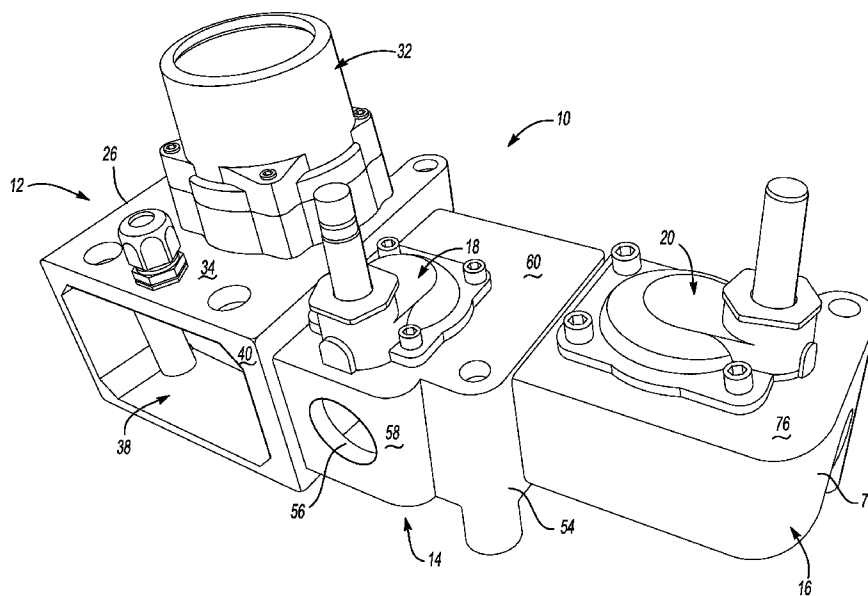
Published:

- with international search report
- before the expiration of the time limit for amending the claims and to be republished in the event of receipt of amendments

(88) Date of publication of the international search report:

31 July 2008

(54) Title: WATER CONTROL APPARATUS



(57) Abstract: An embodiment for a water control apparatus is disclosed that may be used with a concrete mixing assembly. The apparatus may include flowmeter unit and a normally closed valve unit. The normally closed valve unit may be in fluid communication with, and removably connected to, the flowmeter unit. A control unit may be provide that may monitor the flowmeter unit and electronically control the opening of the normally closed valve unit. A switch may be also provided for that may electrically communicate with the control unit to. The activation of the switch being operable to cause the normally closed valve to open and result in the flow of water into a concrete mixing drum that is in fluid communication with the normally closed valve.

WO 2008/051964 A3

INTERNATIONAL SEARCH REPORT

International application No.

PCT/US07/82213

A. CLASSIFICATION OF SUBJECT MATTER

IPC: **B28C 5/00**(2006.01);**G05D 11/13**(2006.01)

USPC: 366/17,137/101.19

According to International Patent Classification (IPC) or to both national classification and IPC

B. FIELDS SEARCHED

Minimum documentation searched (classification system followed by classification symbols)
U.S. : 366/17, 137/101.19

Documentation searched other than minimum documentation to the extent that such documents are included in the fields searched

Electronic data base consulted during the international search (name of data base and, where practicable, search terms used)

C. DOCUMENTS CONSIDERED TO BE RELEVANT

Category *	Citation of document, with indication, where appropriate, of the relevant passages	Relevant to claim No.
X	US 6,484,079 A (BUCKELEW et al) 19 November 2002 (19.11.2002), see entire document. See vehicle 10, CPU 20, GPS 20, display 25, Water counter status sensor to sense the amount of water (i.e. flow meter), column 8, lines 52-55. Also see, the auto-slumper 7, column 8, lines 9-20 with normally closed solenoid valve.	1-10
A	US 5,713,663 A (ZANDBERG et al) 03 February 1998 (03.02.1998), see entire document.	1-10

Further documents are listed in the continuation of Box C.

See patent family annex.

Special categories of cited documents:		
"A" document defining the general state of the art which is not considered to be of particular relevance	"T"	later document published after the international filing date or priority date and not in conflict with the application but cited to understand the principle or theory underlying the invention
"E" earlier application or patent published on or after the international filing date	"X"	document of particular relevance; the claimed invention cannot be considered novel or cannot be considered to involve an inventive step when the document is taken alone
"L" document which may throw doubts on priority claim(s) or which is cited to establish the publication date of another citation or other special reason (as specified)	"Y"	document of particular relevance; the claimed invention cannot be considered to involve an inventive step when the document is combined with one or more other such documents, such combination being obvious to a person skilled in the art
"O" document referring to an oral disclosure, use, exhibition or other means	"&"	document member of the same patent family
"P" document published prior to the international filing date but later than the priority date claimed		

Date of the actual completion of the international search
19 May 2008 (19.05.2008)

Date of mailing of the international search report
04 JUN 2008

Name and mailing address of the ISA/US
Mail Stop PCT, Attn: ISA/US
Commissioner for Patents
P.O. Box 1450
Alexandria, Virginia 22313-1450
Facsimile No. (571) 273-3201

Authorized officer

Tony G. Soohoo
Telephone No. 571-272-1700

DEBORAH A. THOMAS
PARALEGAL SPECIALIST

