



US00D418751S

United States Patent [19]
Wolf

[11] **Patent Number: Des. 418,751**
[45] **Date of Patent: ** Jan. 11, 2000**

[54] **FOLDABLE CARTON WITH HANDLES**

[76] Inventor: **David Wolf**, 83 Jabotinsky Road,
Benei-Brak 51228, Israel

[**] Term: **14 Years**

[21] Appl. No.: **29/092,204**

[22] Filed: **Aug. 14, 1998**

[30] **Foreign Application Priority Data**

Feb. 15, 1998 [IL] Israel 51228

[51] **LOC (7) Cl.** **09-03**

[52] **U.S. Cl.** **D9/432**

[58] **Field of Search** D9/337, 341, 346-347,
D9/414, 430, 431-433; 229/117, 117.5,
117.4

[56] **References Cited**

U.S. PATENT DOCUMENTS

D. 396,805 8/1998 Broyles D9/432
2,268,906 1/1942 Scheer 229/117.15
2,675,168 4/1954 Clark 229/117.14

3,239,110 3/1966 Butler D9/432
3,931,916 1/1976 Blue et al. 229/117.14
4,530,459 7/1985 Maroszek 229/117.15
4,535,928 8/1985 Capo 229/117.14
5,344,066 9/1994 Fogle 229/117.14

Primary Examiner—James Gandy
Assistant Examiner—Carol Rademaker
Attorney, Agent, or Firm—Eugene Lieberstein; Michael N. Meller

[57] **CLAIM**

The ornamental design for a foldable carton with handles, as shown and described.

DESCRIPTION

FIG. 1 is a top perspective view of a foldable carton with handles;
FIG. 2 is a top plan view thereof;
FIG. 3 is a right side view thereof;
FIG. 4 is a right end view (left end view is a mirror image);
FIG. 5 is a left side view thereof; and,
FIG. 6 is a bottom plan view thereof.

1 Claim, 2 Drawing Sheets

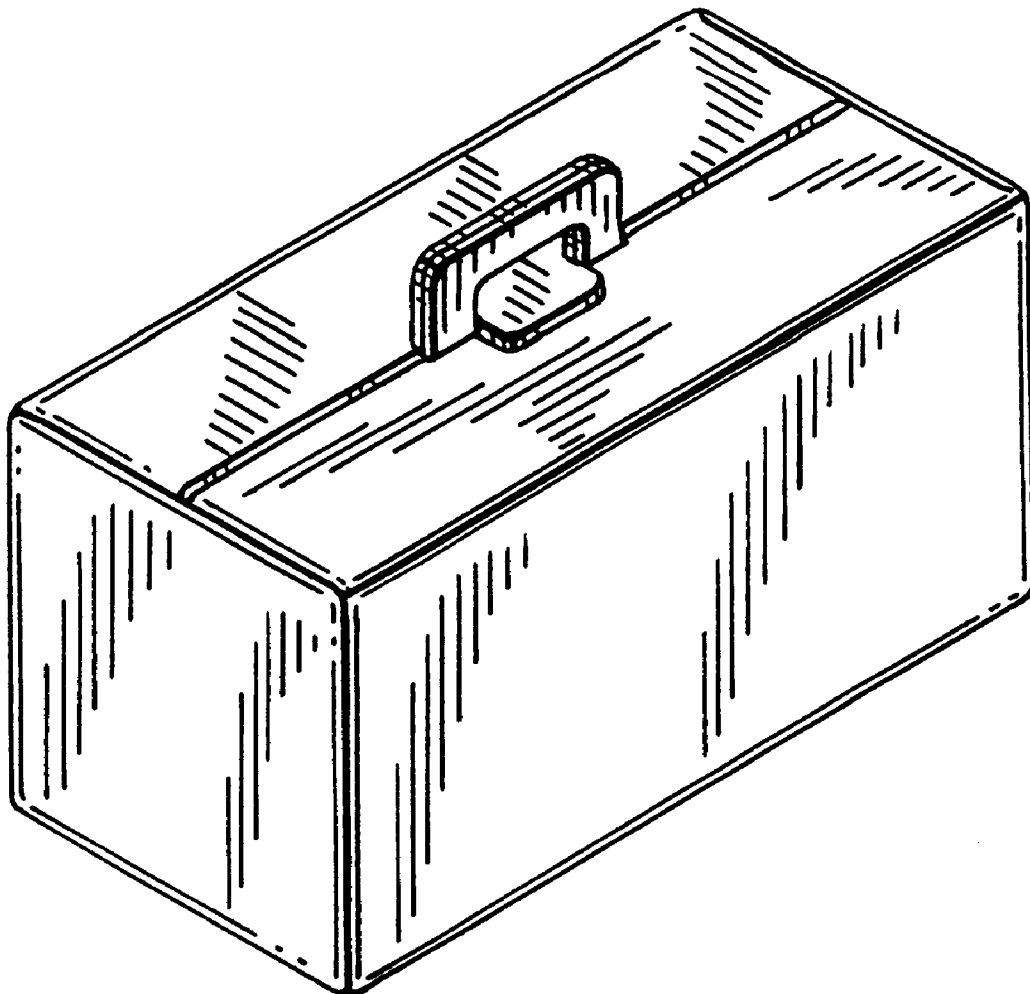


FIG. 1

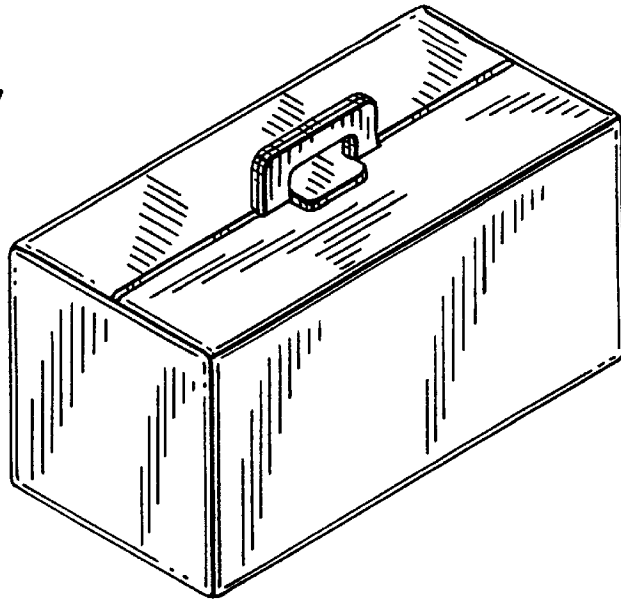


FIG. 2

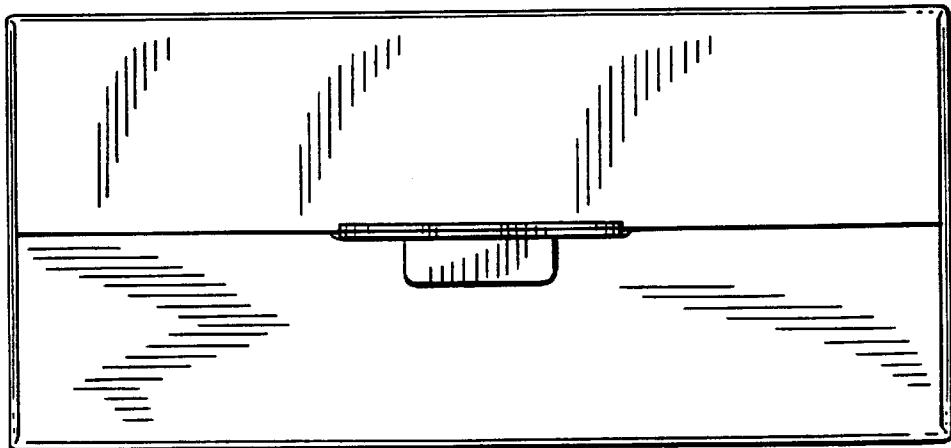


FIG. 3

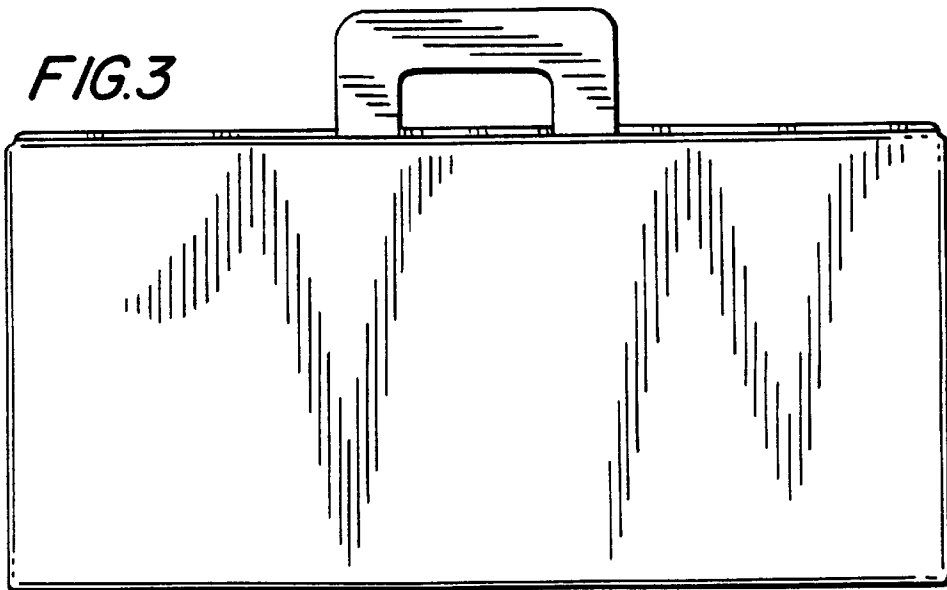


FIG. 4

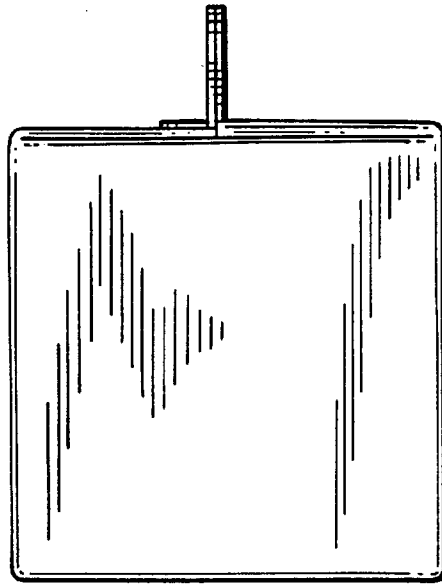


FIG. 5

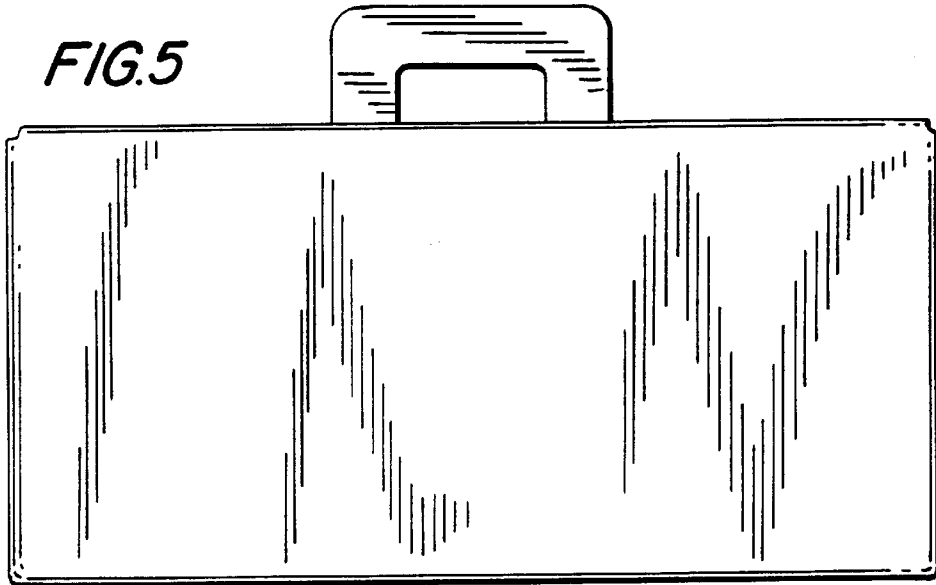


FIG. 6

