



(12) **United States Design Patent**  
**Praamsma et al.**

(10) **Patent No.:** **US D756,631 S**  
(45) **Date of Patent:** **\*\* May 24, 2016**

(54) **PERSONAL ACCESSORY HOLDER**

*Primary Examiner* — Catheri Oliver-Garcia  
(74) *Attorney, Agent, or Firm* — Knobbe Martens Olson & Bear LLP

(71) Applicant: **Hangaray LLC**, Laguna Niguel, CA (US)

(72) Inventors: **Conrad Praamsma**, Ontario (CA); **Paul Deakin**, Laguna Niguel, CA (US)

(57) **CLAIM**  
The ornamental design for a personal accessory holder, as shown and described.

(73) Assignee: **Hangaray LLC**, Laguna Niguel, CA (US)

**DESCRIPTION**

(\*\*) Term: **14 Years**

(21) Appl. No.: **29/507,963**

(22) Filed: **Oct. 31, 2014**

FIG. 1 is a front, bottom, and side perspective view of a personal accessory holder in a first position embodying our new design.

FIG. 2 is a front view thereof.

FIG. 3 is a rear view thereof.

FIG. 4 is a first side view thereof.

FIG. 5 is a second side view thereof.

FIG. 6 is a top view thereof.

FIG. 7 is a bottom view thereof.

FIG. 8 is a front, bottom, and side perspective view of the personal accessory holder in a second position.

FIG. 9 is a front view thereof.

FIG. 10 is a rear view thereof.

FIG. 11 is a first side view thereof.

FIG. 12 is a second side view thereof.

FIG. 13 is a top view thereof.

FIG. 14 is a bottom view thereof; and,

FIG. 15 is a front, bottom, and side exploded perspective view thereof.

Broken lines are used to illustrate features of the personal accessory holder which form no part of the claimed design. Cross hatching lines are used to illustrate representative surface shading. Large broken lines illustrate stitching on the main body and golf tee holder which forms no part of the claimed design. The personal accessory hanger is shown in broken lines which form no part of the claimed design. Features on the back of the main body in the second position, including a magnetic clasp, are shown in broken lines which form no part of the claimed design of the second embodiment. The first position illustrates a typical in use orientation.

**Related U.S. Application Data**

(60) Continuation-in-part of application No. 29/498,172, filed on Jul. 31, 2014, now Pat. No. Des. 743,692, which is a division of application No. 29/419,553, filed on Apr. 30, 2012, now Pat. No. Des. 710,087.

(51) **LOC (10) Cl.** ..... **03-01**

(52) **U.S. Cl.**  
USPC ..... **D3/219; D3/221**

(58) **Field of Classification Search**  
USPC ..... D3/219, 215, 263, 266; 206/5; 248/316.7, 902; 351/63, 111-112, 124, 351/158, 159.58  
CPC ..... A44B 99/00; A45F 5/02; A45F 5/22; A45F 5/0541  
See application file for complete search history.

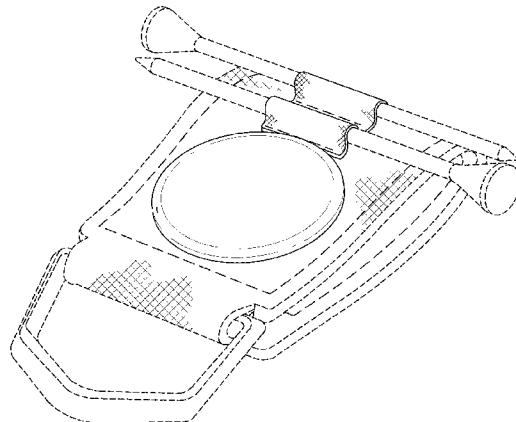
(56) **References Cited**

**U.S. PATENT DOCUMENTS**

1,973,648 A	9/1934	Nagel
3,416,195 A	12/1968	Borthwick
4,051,554 A	10/1977	Kallman
4,157,166 A	6/1979	Voelker
4,325,504 A	4/1982	Amani
4,458,384 A	7/1984	Arnold

(Continued)

**1 Claim, 7 Drawing Sheets**

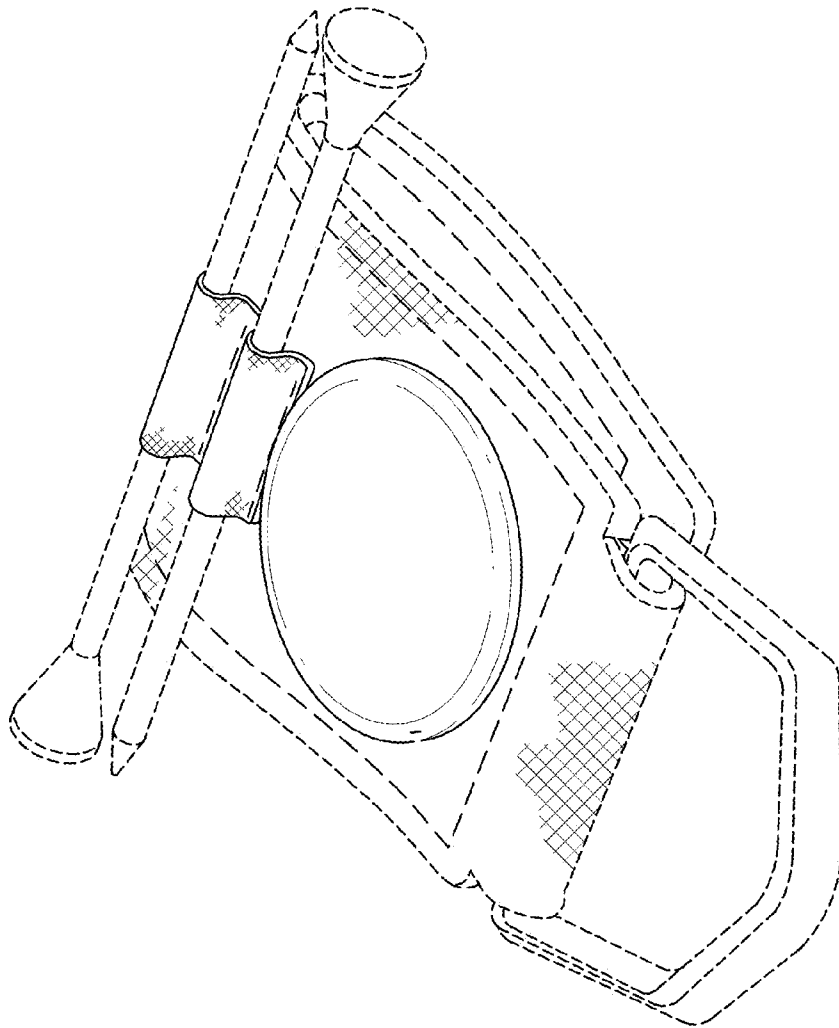


(56)

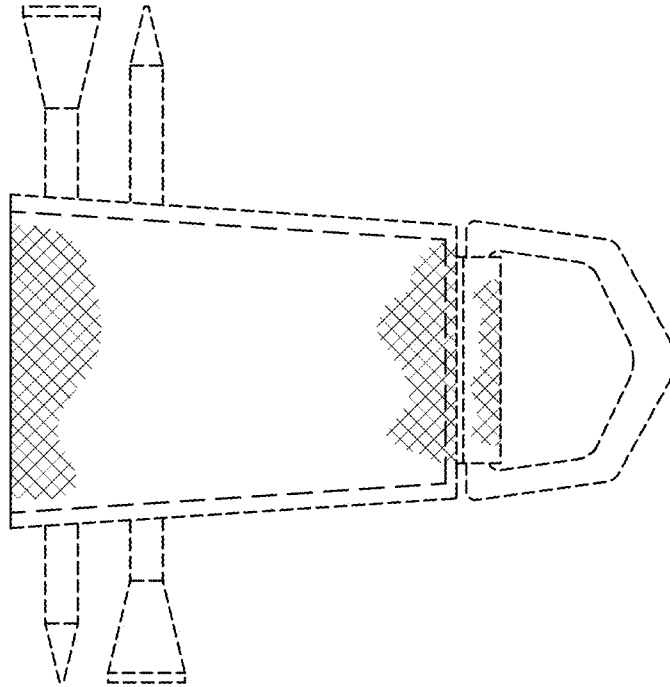
## References Cited

## U.S. PATENT DOCUMENTS

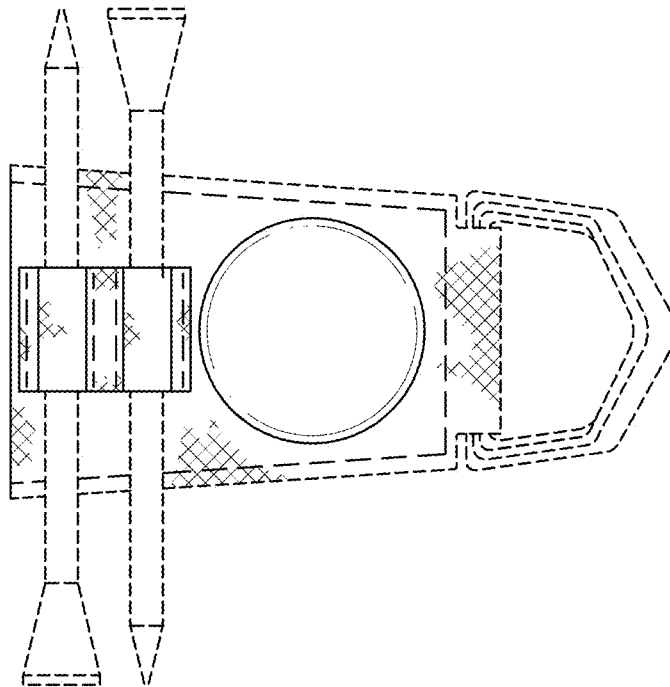
4,771,515 A	9/1988	Guarro	6,899,423 B1	5/2005	Brazell
4,894,887 A	1/1990	Ward, II	6,935,742 B1	8/2005	Wilson, Sr.
4,896,377 A	1/1990	Ferdi	7,013,492 B2	3/2006	Hugh et al.
4,938,581 A	7/1990	Trickel	7,101,040 B2	9/2006	Karasik
4,966,322 A	10/1990	Zagorski et al.	7,134,751 B1	11/2006	Copia
5,033,612 A	7/1991	Bivins	7,172,283 B1	2/2007	Asta
5,078,484 A	1/1992	Vaughn	7,229,171 B2	6/2007	Dietz
5,119,979 A	6/1992	Kallman	7,296,889 B2	11/2007	Dietz
5,305,934 A	4/1994	Grey	7,303,276 B2	12/2007	Raymond
5,343,599 A	9/1994	Reeves	7,496,991 B2	3/2009	Avery
5,351,098 A	9/1994	McDaniels et al.	7,721,392 B2	5/2010	Avery
5,654,787 A	8/1997	Barison	7,740,215 B2	6/2010	Lang
5,699,990 A	12/1997	Seach	7,857,445 B2	12/2010	Jodoin
5,842,613 A	12/1998	White	7,979,963 B2	7/2011	Lee-Holowka et al.
5,903,928 A	5/1999	Hyung-Seob	D643,212 S	8/2011	Rathbun
5,956,812 A	9/1999	Moennig	D649,348 S	11/2011	Murphy, Jr.
5,983,459 A	11/1999	Goldenberg	D710,087 S	8/2014	Praamsma et al.
6,029,319 A	2/2000	Challender	2002/0021405 A1	2/2002	Fukai
6,039,173 A	3/2000	Crow	2002/0170147 A1	11/2002	Heller
6,070,303 A	6/2000	Macy et al.	2004/0183993 A1	9/2004	Dietz
6,076,925 A	6/2000	Kraut	2004/0200040 A1	10/2004	Frassanito
6,134,753 A	10/2000	O'Mahony	2004/0237262 A1	12/2004	Arnone
6,168,273 B1	1/2001	Dupraz et al.	2004/0239873 A1	12/2004	Dietz
6,199,218 B1	3/2001	Michael	2005/0022290 A1	2/2005	Neaman
6,260,749 B1	7/2001	Horovitz	2005/0264755 A1	12/2005	Dietz
D448,554 S	10/2001	Zelman	2007/0058129 A1	3/2007	Raymond
6,367,126 B1	4/2002	Rivkin	2007/0245528 A2	10/2007	Vermillion
6,367,926 B1	4/2002	Chao et al.	2008/0127460 A1	6/2008	Severen et al.
6,375,324 B2	4/2002	Schleger et al.	2009/0007388 A1	1/2009	Villeneuve
6,425,664 B1	7/2002	Liu et al.	2009/0019671 A1	1/2009	Trullas
D466,288 S	12/2002	Koo	2009/0126159 A1	5/2009	Murphy, Jr.
6,533,414 B2	3/2003	Newler	2009/0284709 A1	11/2009	Didner
6,539,587 B2	4/2003	Harrison	2009/0320247 A1	12/2009	Honeycutt
6,568,805 B1	5/2003	Dietz	2010/0039610 A1	2/2010	Mauro
6,598,268 B1	7/2003	Zelman	2010/0083699 A1	4/2010	Conigliaro
6,691,374 B2	2/2004	Coyne	2010/0157237 A1	6/2010	Mor et al.
D487,344 S	3/2004	Sieger	2010/0180406 A1	7/2010	Mor
			2010/0220284 A1	9/2010	Bond et al.
			2010/0263170 A1	10/2010	Dollar, Sr.
			2011/0174846 A1	7/2011	Racaniello



*FIG. 1*



*FIG. 3*



*FIG. 2*

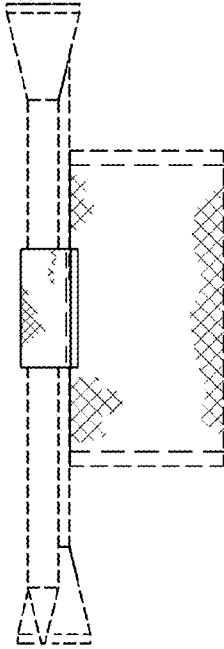


FIG. 6

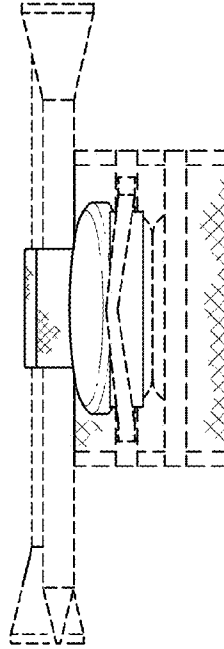


FIG. 7

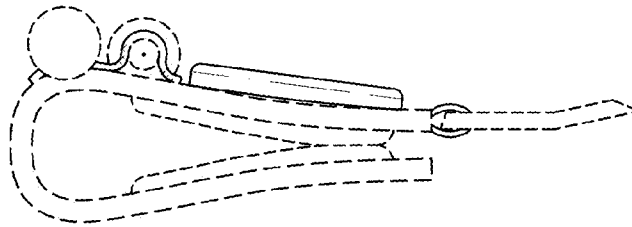


FIG. 5

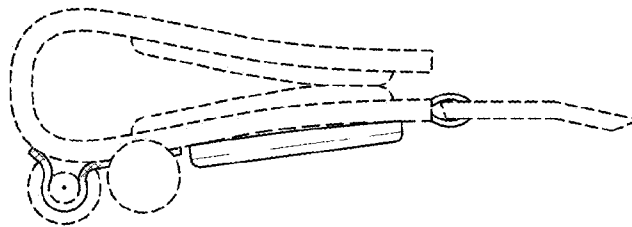
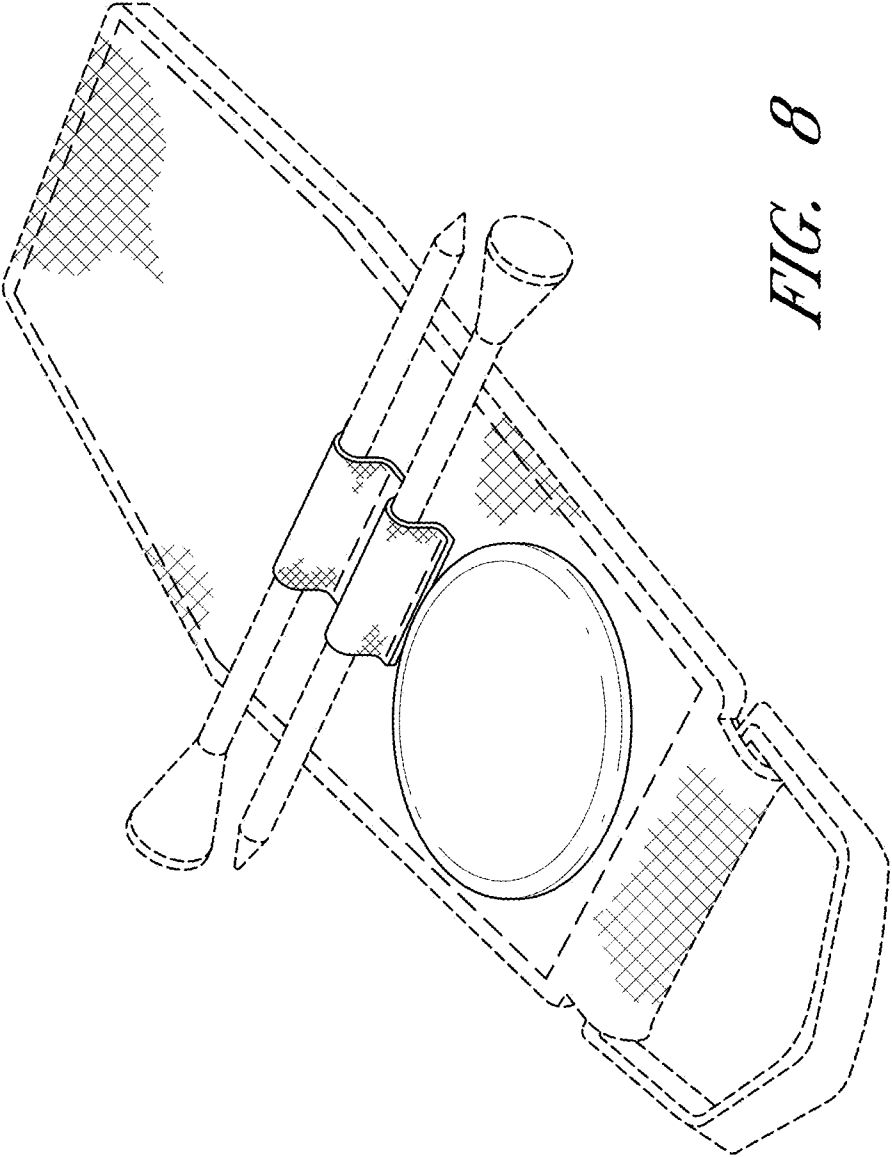
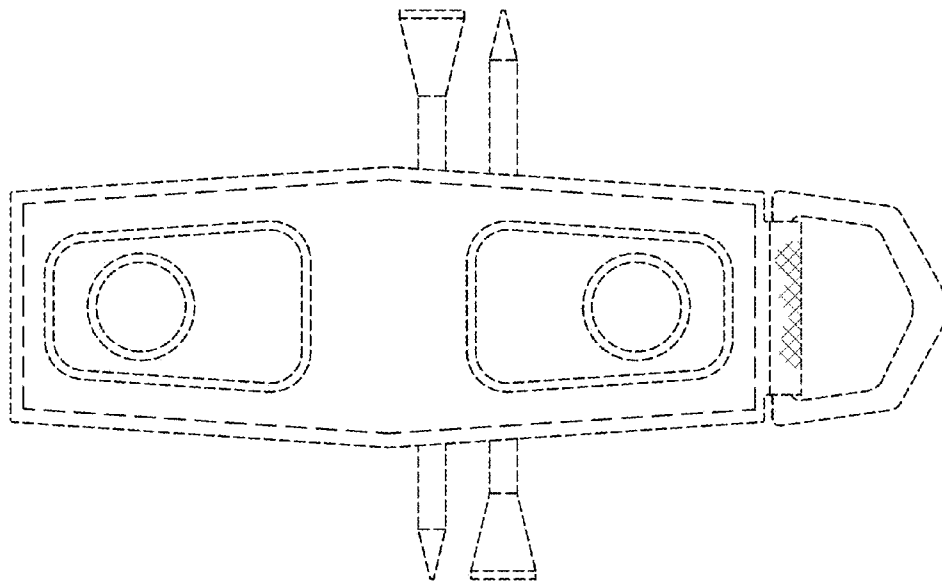
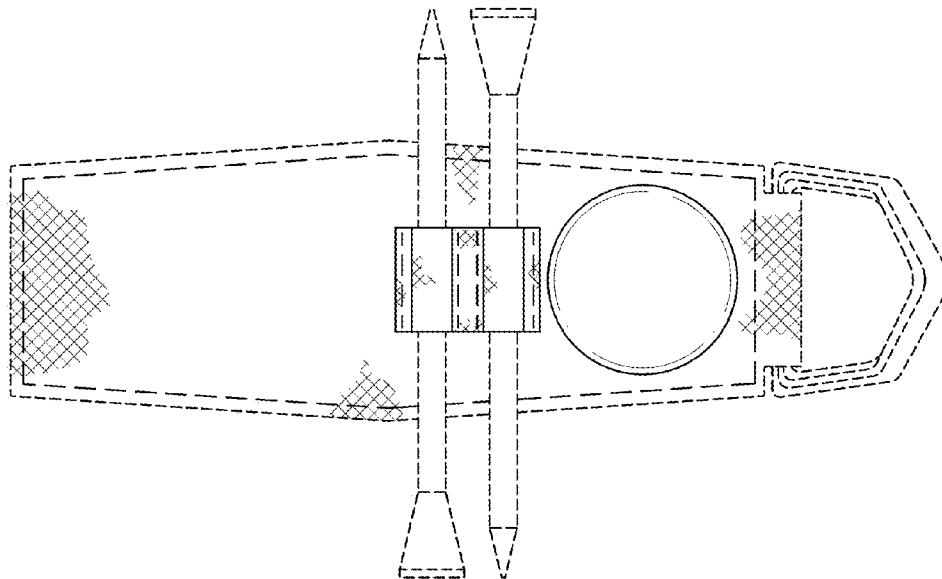


FIG. 4





*FIG. 10*



*FIG. 9*

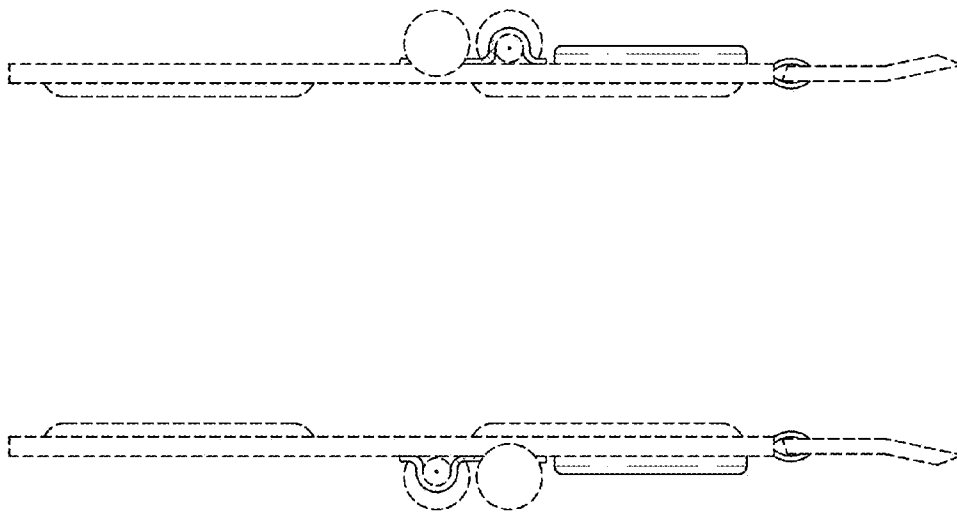


FIG. 11 FIG. 12

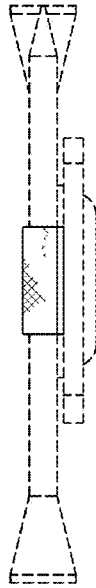


FIG. 13

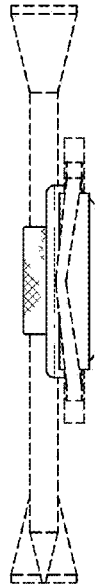


FIG. 14



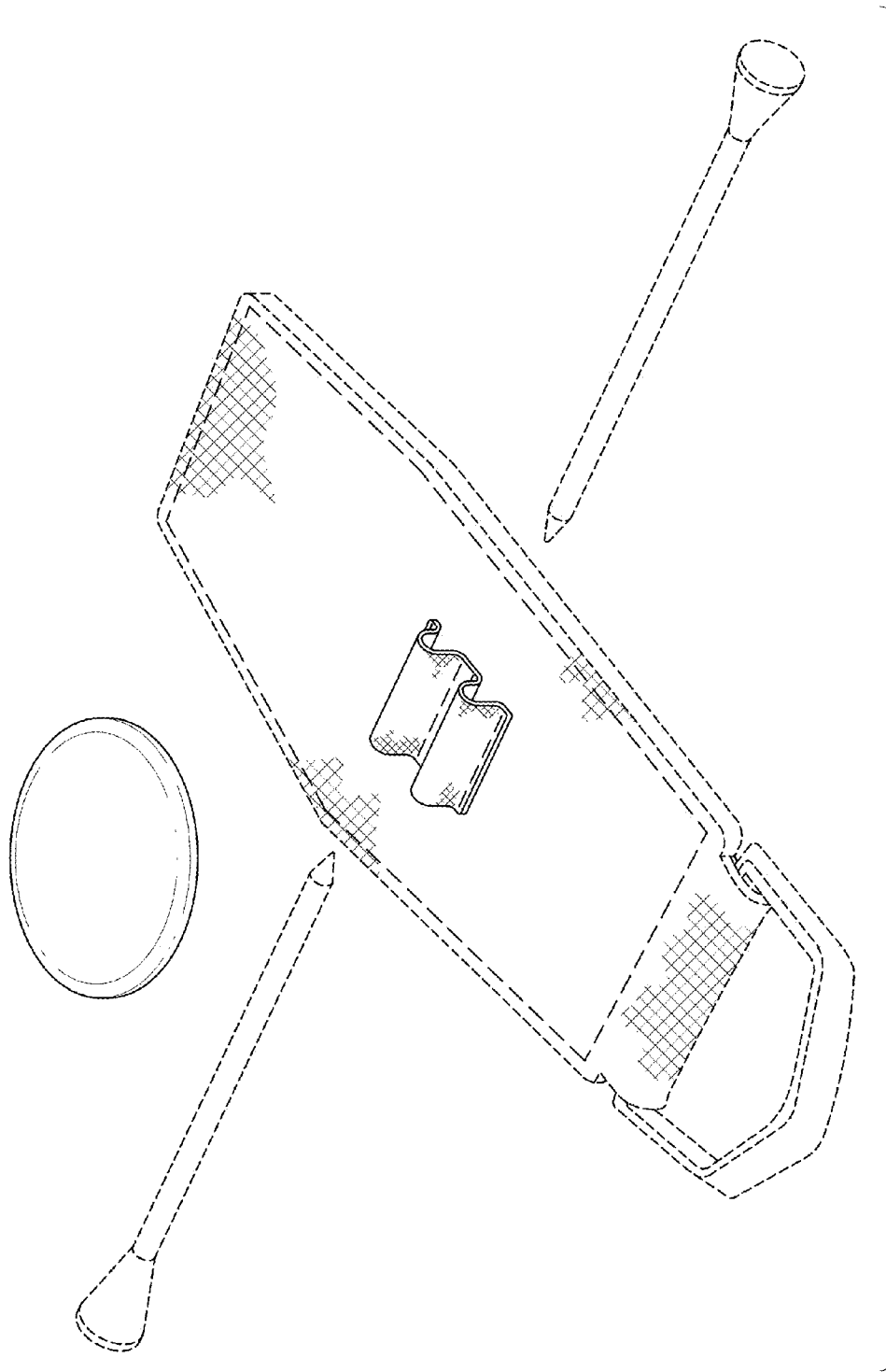


FIG. 15