

Fig. 2

SUBSTITUTE SHEET (RULE 26)


ROBIN MARK GROSER
of GROSER & GROSER
AGENT FOR THE APPLICANTS

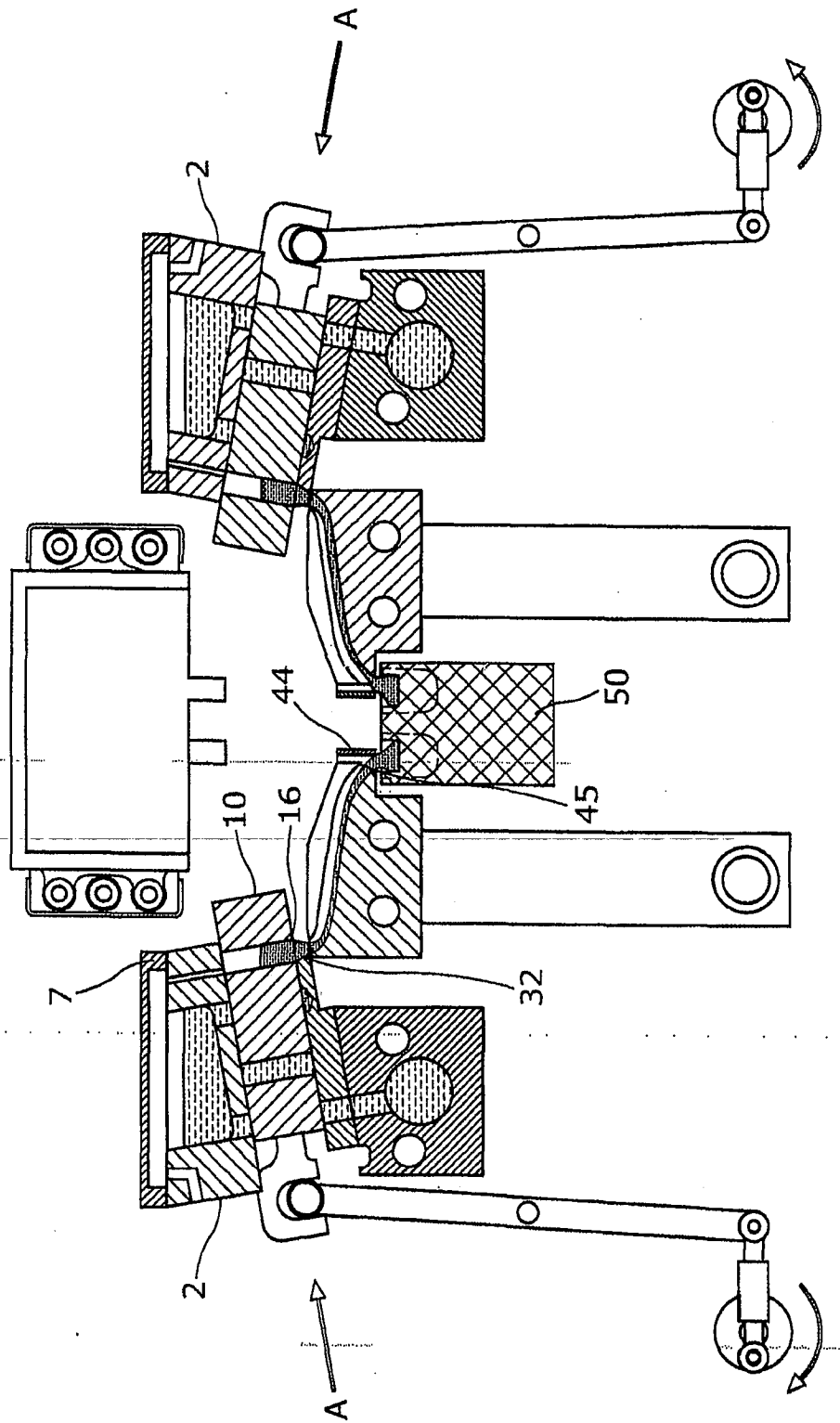


Fig. 3

SUBSTITUTE SHEET (RULE 26)

[Signature]
ROBIN MARK GROSER
of GROSER & GROSER
AGENT FOR THE APPLICANTS

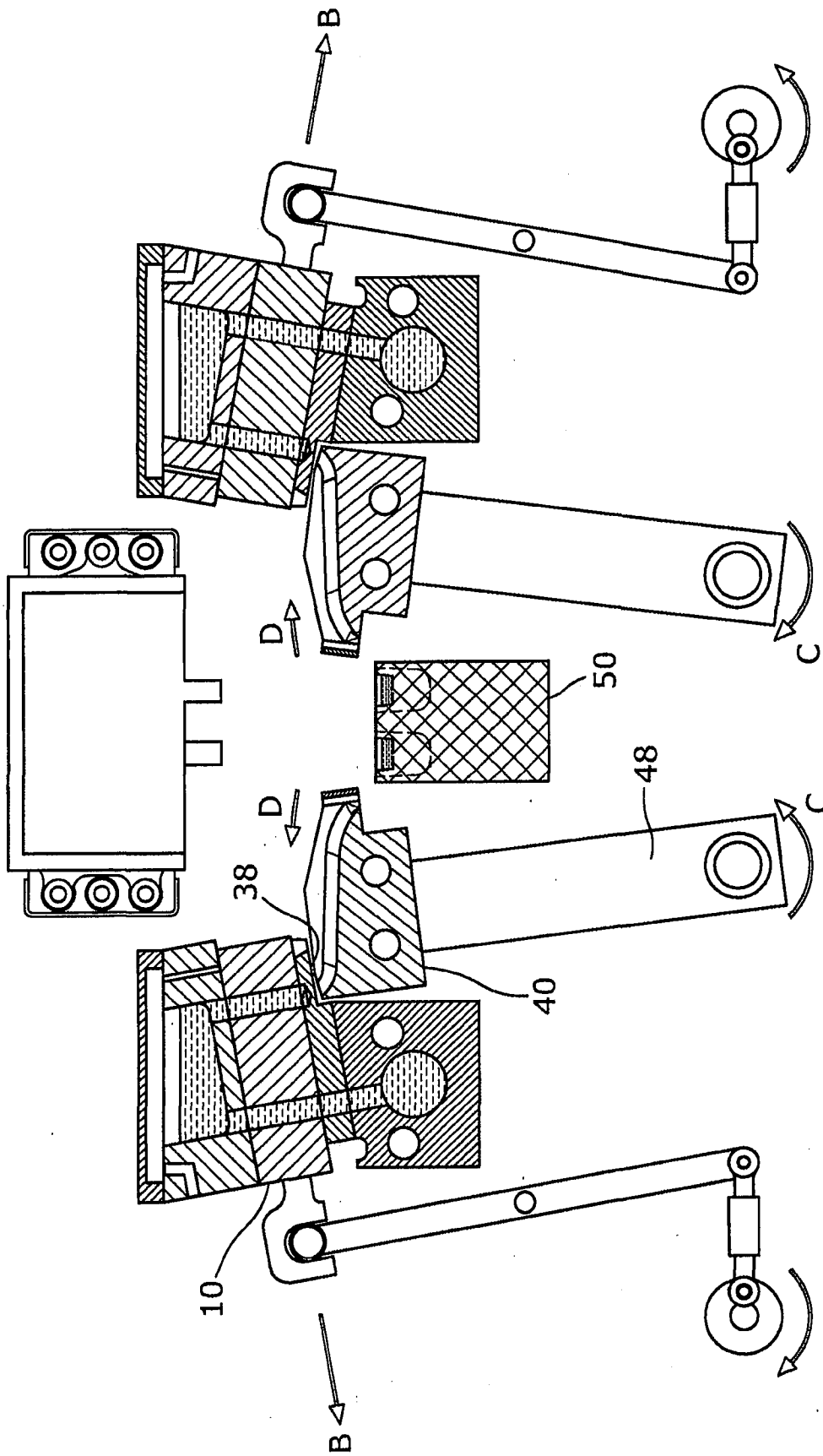


Fig. 4

SUBSTITUTE SHEET (RULE 26)


ROBIN MARK GROSER
of GROSER & GROSER
AGENT FOR THE APPLICANTS

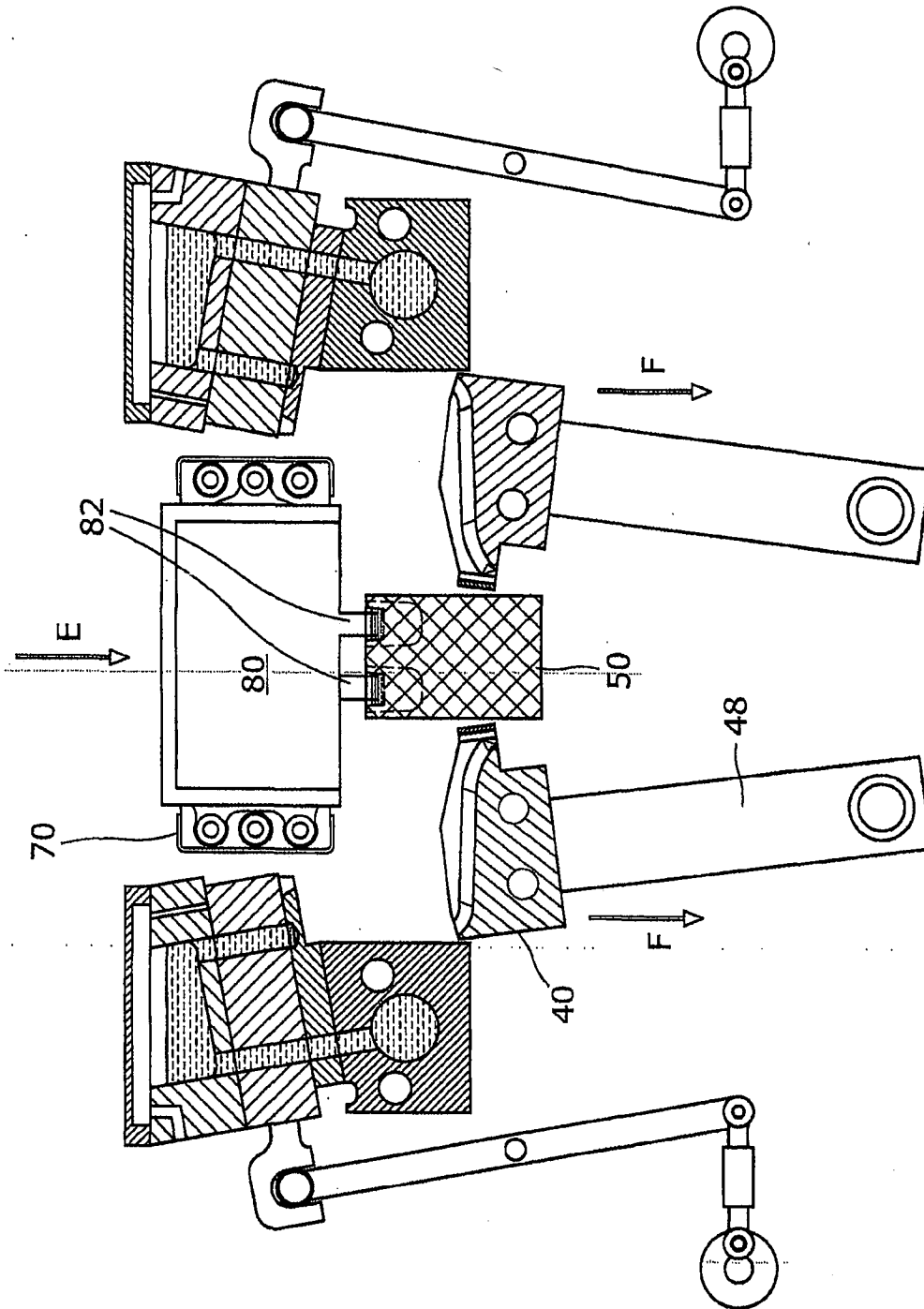


Fig. 5

SUBSTITUTE SHEET (RULE 26)

RM
ROBIN MARK GROSER
of GROSER & GROSER
AGENT FOR THE APPLICANTS

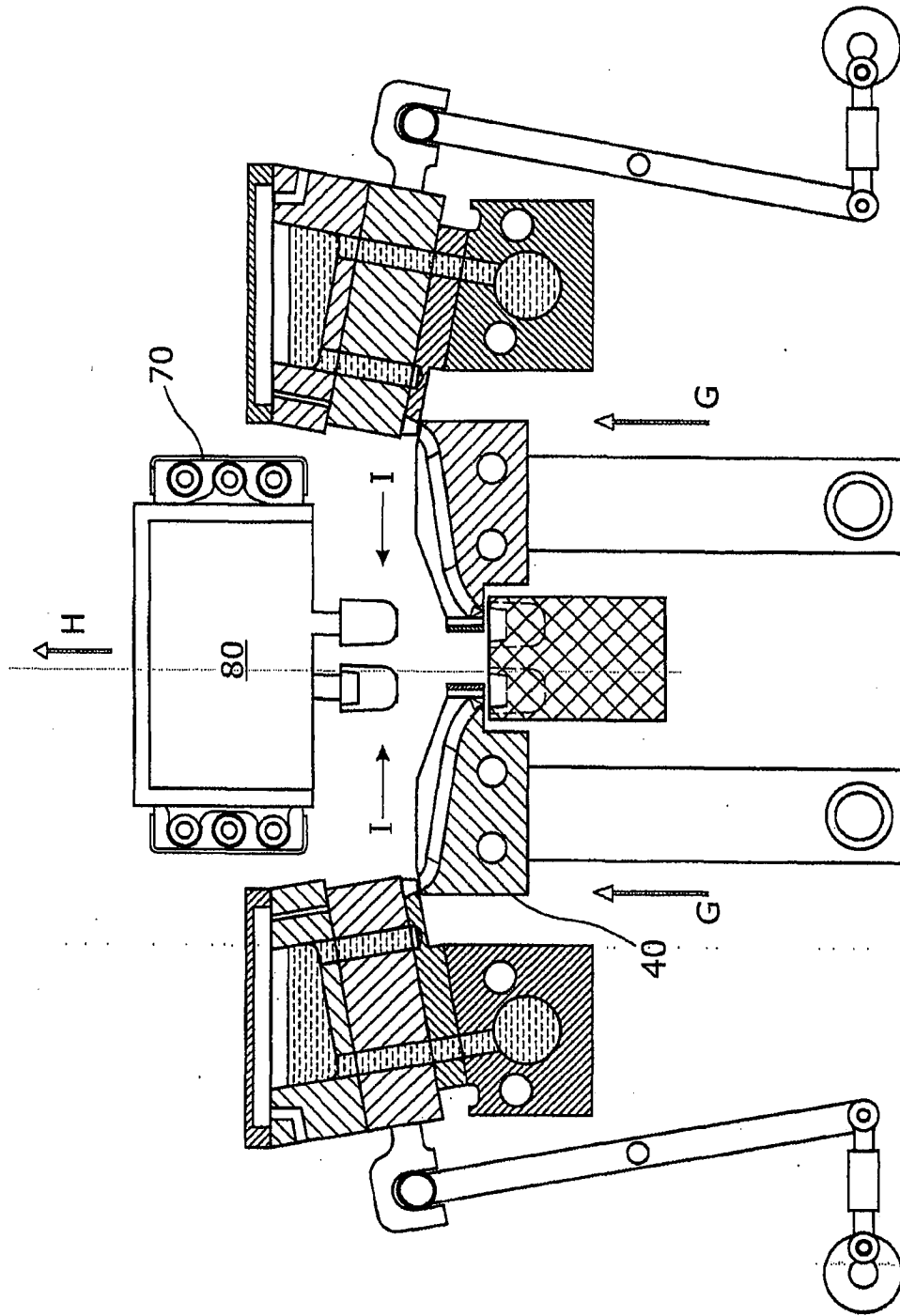


Fig. 6

SUBSTITUTE SHEET (RULE 26)

Robin Mark Groser
ROBIN MARK GROSER
of GROSER & GROSER
AGENT FOR THE APPLICANTS

7/8

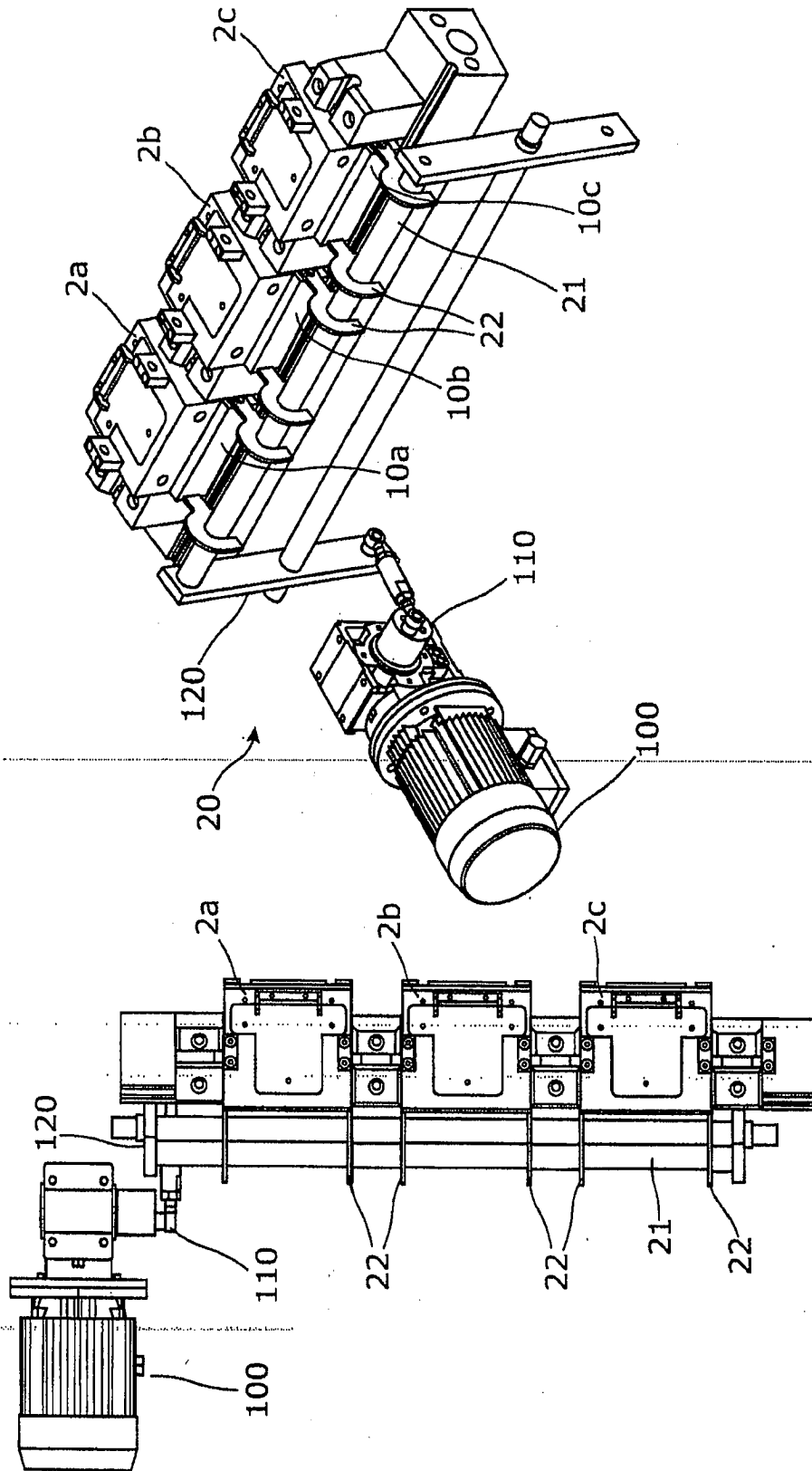


Fig. 7

SUBSTITUTE SHEET (RULE 26)


ROBIN MARK GROSER
of GROSER & GROSER
AGENT FOR THE APPLICANTS

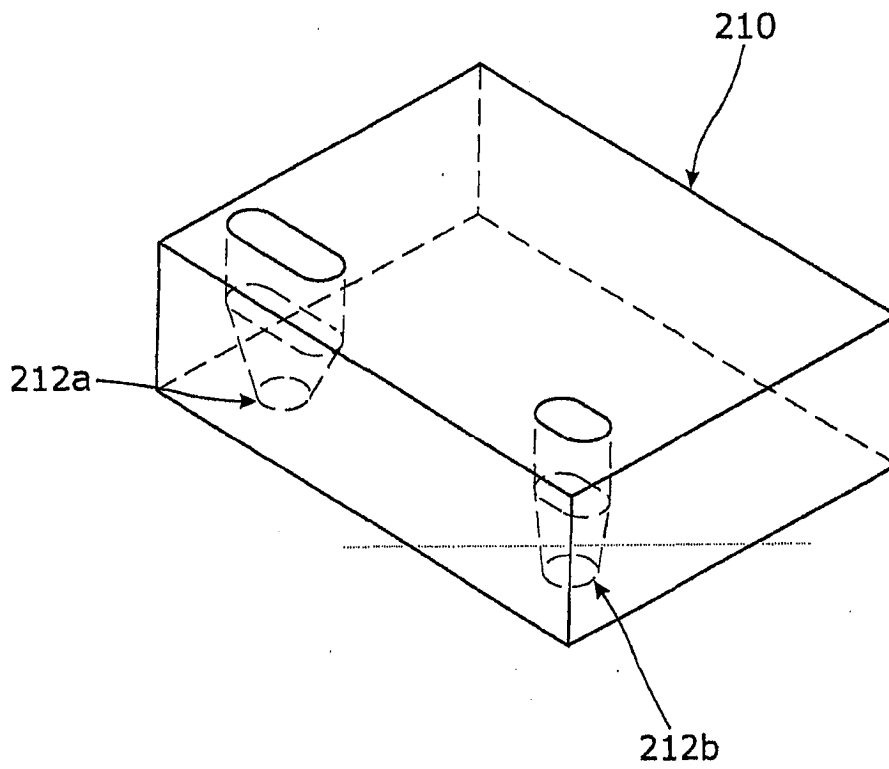


Fig. 8

SUBSTITUTE SHEET (RULE 26)


ROBIN MARK GROSER
of GROSER & GROSER
AGENT FOR THE APPLICANTS