



US0D1036740S

(12) **United States Design Patent**
McDennon

(10) **Patent No.:** **US D1,036,740 S**

(45) **Date of Patent:** **** Jul. 23, 2024**

(54) **LIGHTING FIXTURE**

Primary Examiner — Natasha Vujcic
Assistant Examiner — Robert B Rieker

(71) Applicant: **Hinkley Lighting, Inc.**, Avon Lake, OH (US)

(74) *Attorney, Agent, or Firm* — Tucker Ellis LLP

(72) Inventor: **Lisa McDennon**, Laguna Beach, CA (US)

(57) **CLAIM**

(73) Assignee: **Hinkley Lighting, Inc.**, Avon Lake, OH (US)

The ornamental design for a lighting fixture, as shown and described.

(**) Term: **15 Years**

DESCRIPTION

(21) Appl. No.: **29/784,184**

(22) Filed: **May 18, 2021**

(51) **LOC (14) Cl.** **26-05**

(52) **U.S. Cl.**
USPC **D26/72**

(58) **Field of Classification Search**
USPC D26/67–112
CPC F21Y 2115/10; F21Y 2105/10; F21Y 2113/13; F21S 8/026; F21S 8/02; F21S 8/033; F21S 8/06; F21S 8/061; F21S 8/03; F21S 8/036; F21V 29/86; F21W 2131/10; F21W 2131/40
See application file for complete search history.

FIG. 1 is a top perspective view thereof of a first embodiment of a lighting fixture;
FIG. 2 is a bottom perspective view thereof;
FIG. 3 is a left side view thereof;
FIG. 4 is a front elevation view thereof;
FIG. 5 is a is right side view thereof;
FIG. 6 is a rear elevation view thereof;
FIG. 7 is a top plan view thereof;
FIG. 8 is a bottom plan view thereof.
FIG. 9 is a top perspective view a second embodiment of the lighting fixture thereof;
FIG. 10 is a bottom perspective view thereof;
FIG. 11 is a left side view thereof;
FIG. 12 is a front elevation view thereof;
FIG. 13 is a is right side view thereof;
FIG. 14 is a rear elevation view thereof;
FIG. 15 is a top plan view thereof;
FIG. 16 is a bottom plan view thereof.
FIG. 17 is a top perspective view of a third embodiment of the lighting fixture thereof;
FIG. 18 is a bottom perspective view thereof;
FIG. 19 is a left side view thereof;
FIG. 20 is a front elevation view thereof;
FIG. 21 is a is right side view thereof;
FIG. 22 is a rear elevation view thereof;
FIG. 23 is a top plan view thereof; and,
FIG. 24 is a bottom plan view thereof.

(56) **References Cited**

U.S. PATENT DOCUMENTS

D303,436 S *	9/1989	Clyde-Mason	D26/86
D400,277 S *	10/1998	Ewing	D26/85
D509,314 S *	9/2005	Rashidi	D26/74
D549,384 S *	8/2007	Grawunder	D26/85
D731,694 S *	6/2015	Tomlinson	D26/128

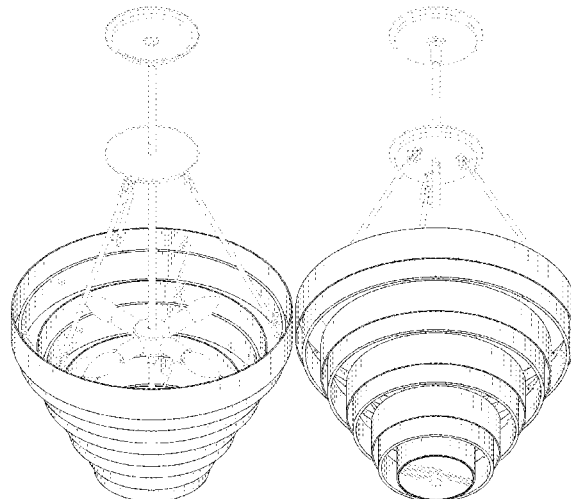
(Continued)

OTHER PUBLICATIONS

Hinkley Echelon Collection Four Light Chandelier, posted Jun. 4, 2020 [online], [retrieved Mar. 5, 2024]. Retrieved from internet, <https://www.amazon.com/Hinkley-30188HB-Echelon-Chandelier-Alabaster/dp/B089P3BS5F?th=1> (Year: 2020).*

Broken lines in the drawings represent features of the lighting fixture that form no part of the claimed design.

1 Claim, 18 Drawing Sheets



(56)

References Cited

U.S. PATENT DOCUMENTS

D759,877	S	*	6/2016	Hewitt	D26/89
D814,096	S	*	3/2018	Hewitt	D26/89
D820,501	S	*	6/2018	Amato	D26/88
D821,628	S	*	6/2018	Amato	D26/87
D835,326	S	*	12/2018	Takagi	D26/88
D851,320	S	*	6/2019	Amato	D26/87
D859,727	S	*	9/2019	Takagi	D26/88
D877,393	S	*	3/2020	Yu	D26/88
D888,318	S	*	6/2020	Amato	D26/87
D891,674	S	*	7/2020	Amato	D26/85
D892,383	S	*	8/2020	McDennon	D26/87
D897,592	S	*	9/2020	Pickett	D26/128
D905,315	S	*	12/2020	Li	D26/81
D906,573	S	*	12/2020	Smith	D26/85
D950,832	S	*	5/2022	Wiedemer	D26/118
D968,006	S	*	10/2022	Gardner	D26/88
D974,638	S	*	1/2023	McDennon	D26/128
D984,716	S	*	4/2023	Amato	D26/88
D985,830	S	*	5/2023	Montecino	D26/138
D996,686	S	*	8/2023	McGee	D26/88
D996,688	S	*	8/2023	McGee	D26/87
2018/0274769	A1	*	9/2018	Vavruskova	F21S 8/061

* cited by examiner

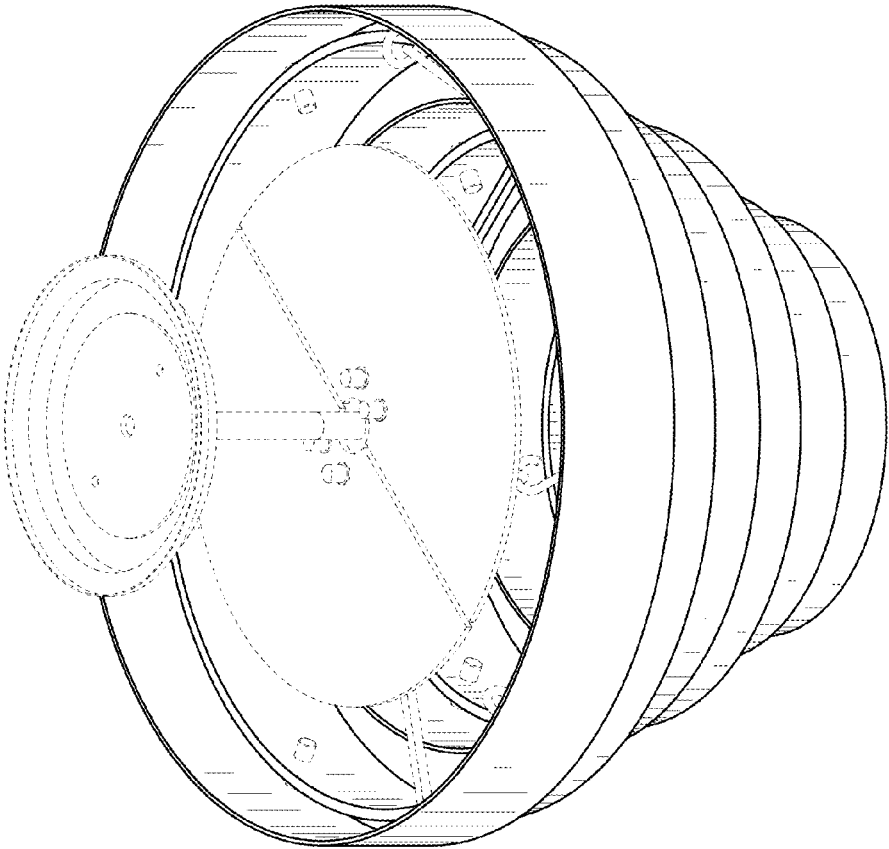


FIG. 1

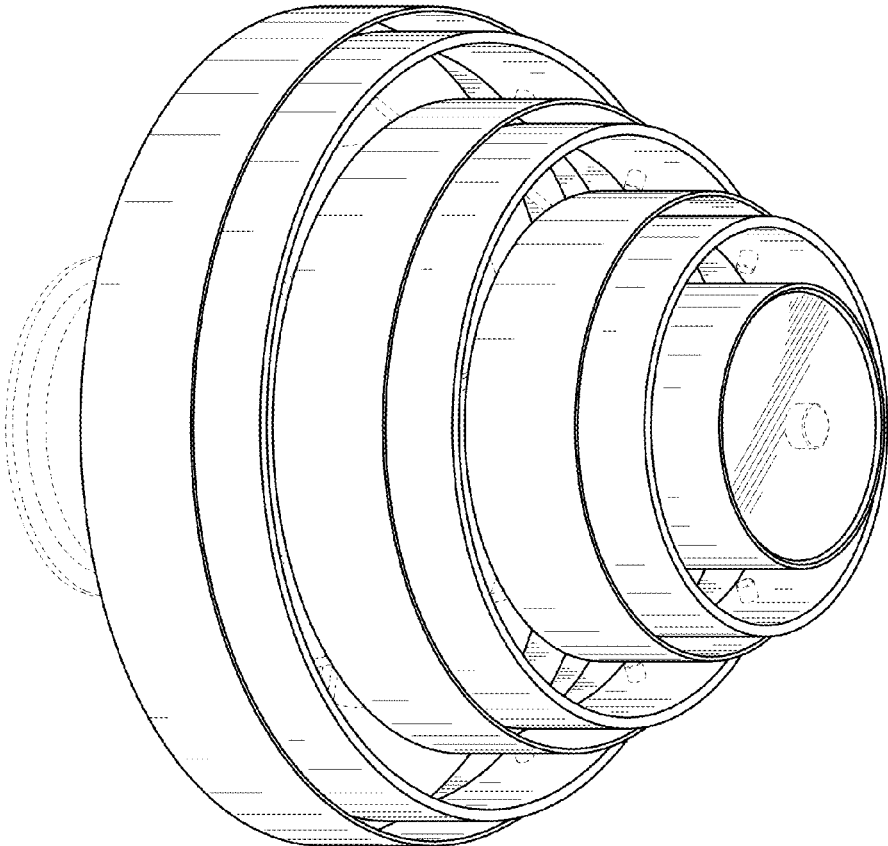


FIG. 2

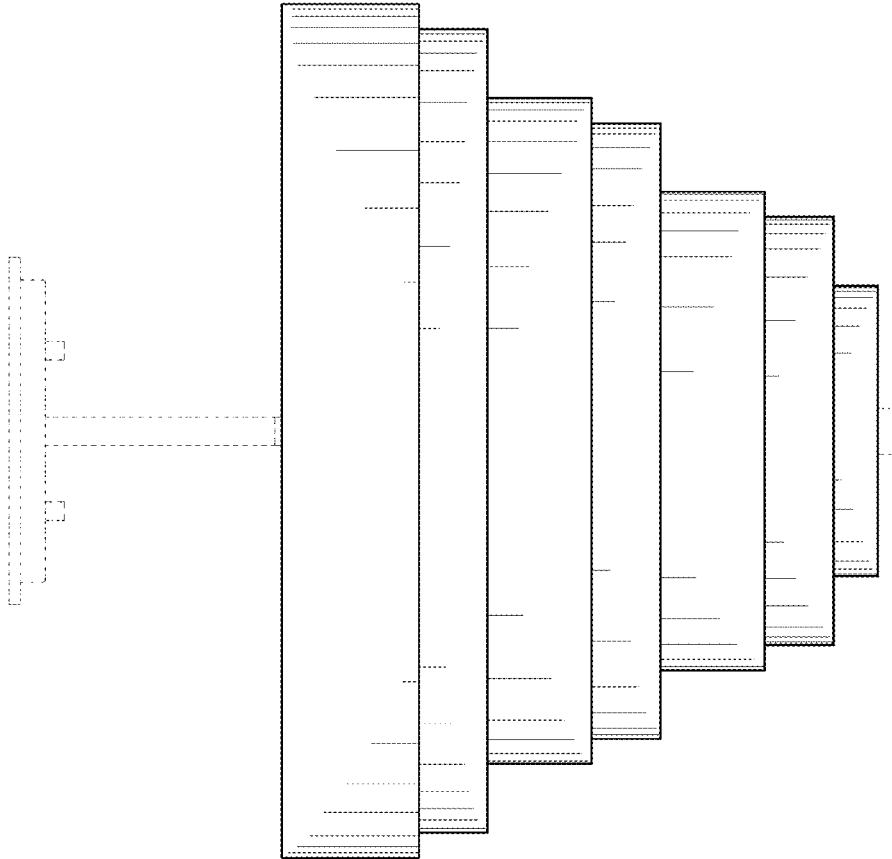


FIG. 4

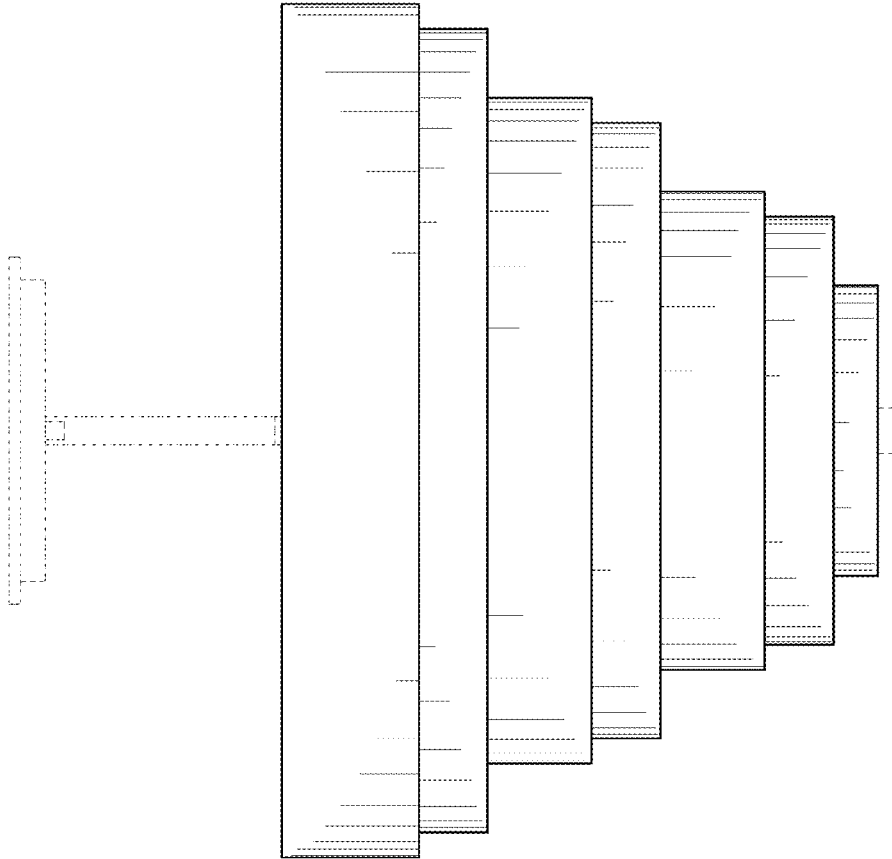


FIG. 3

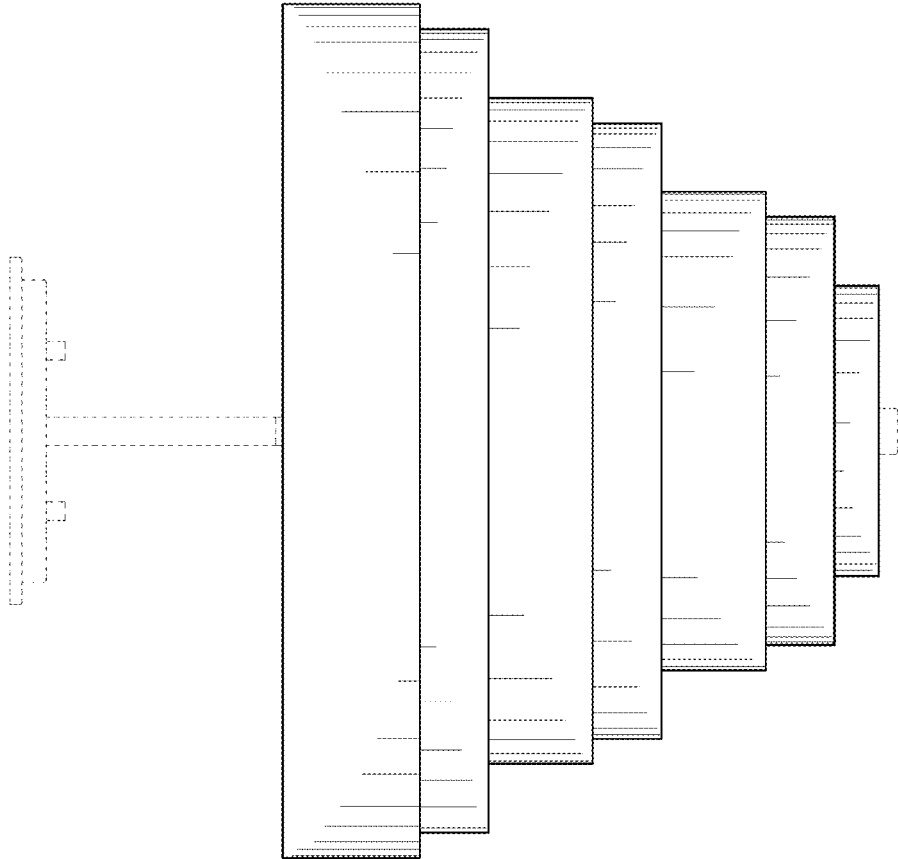


FIG. 6

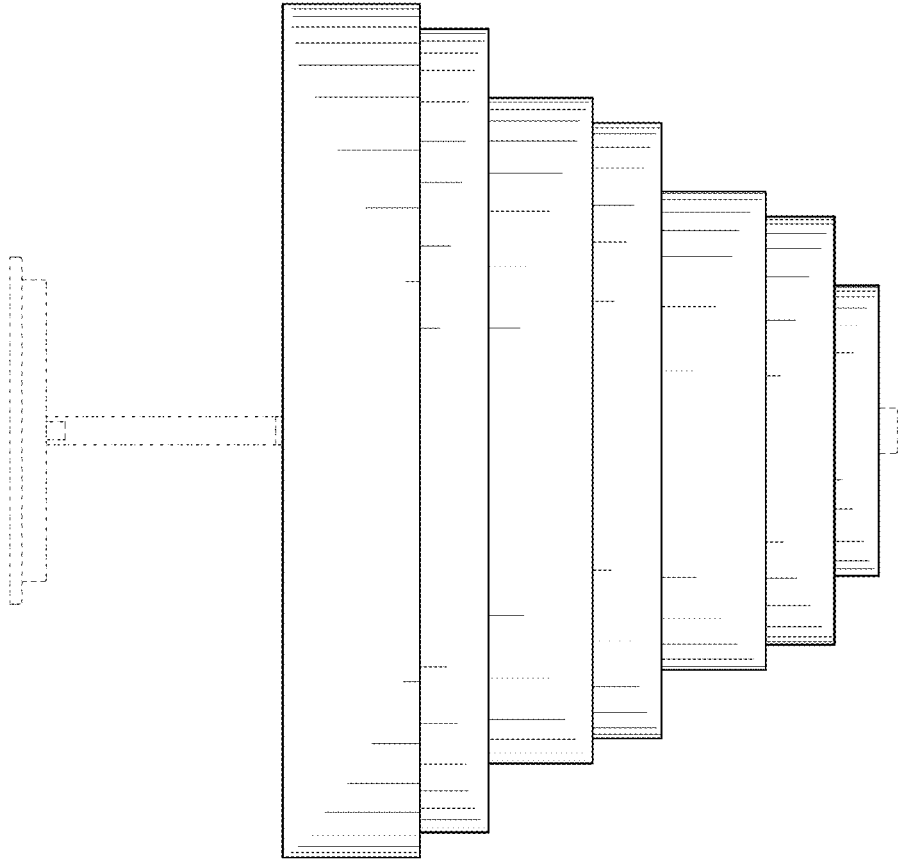


FIG. 5

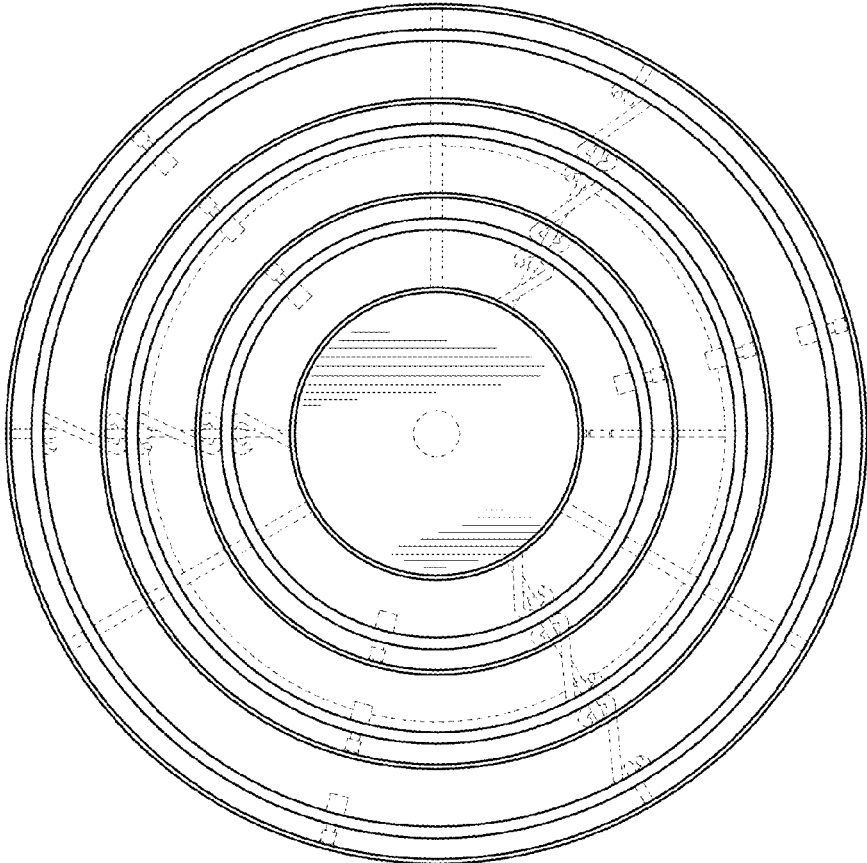


FIG. 8

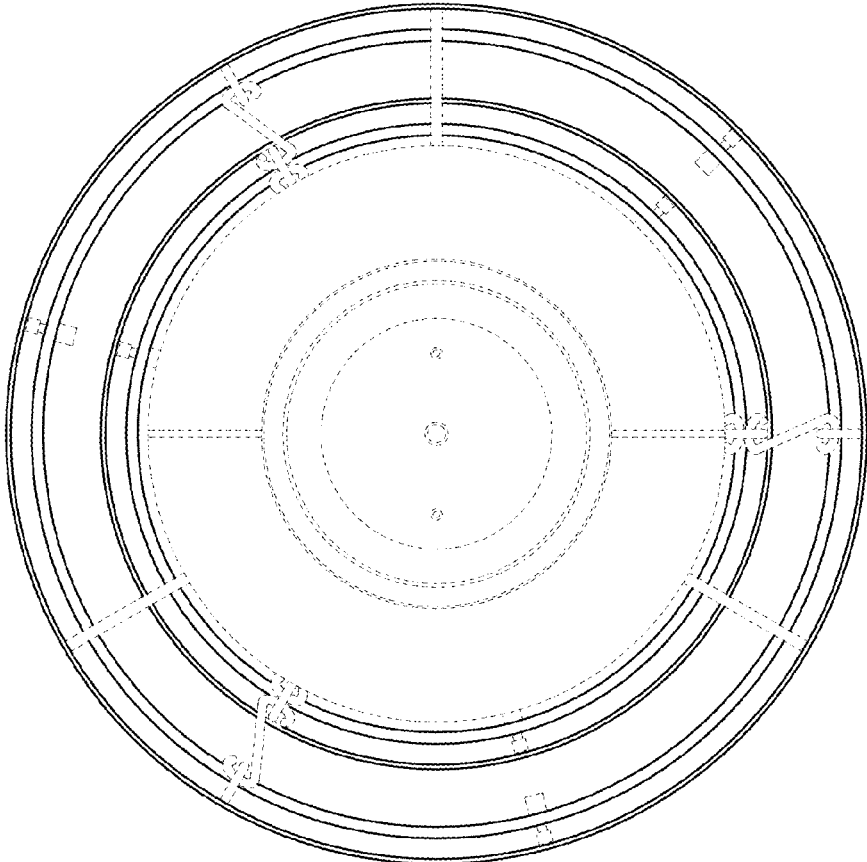


FIG. 7

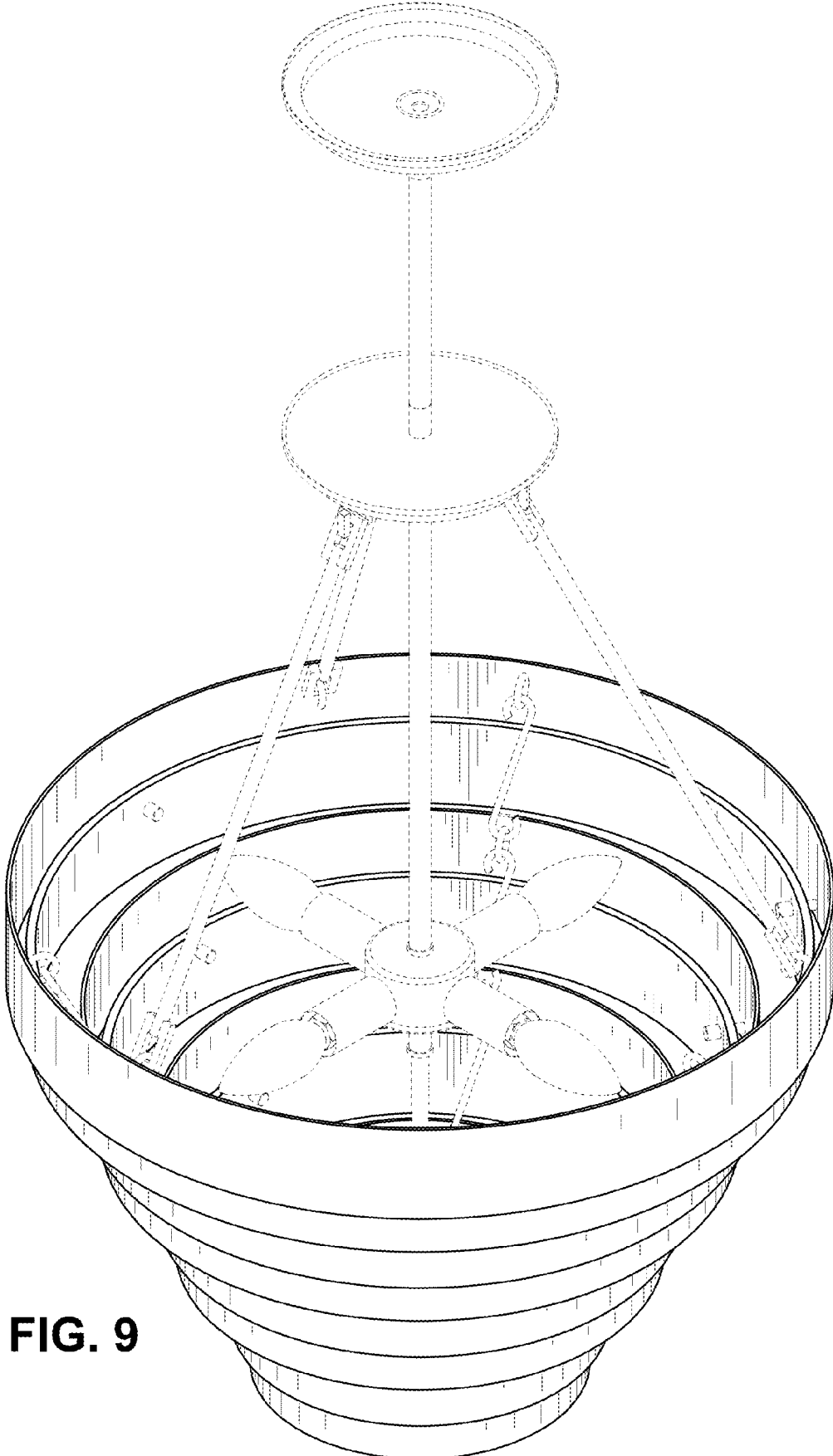


FIG. 9

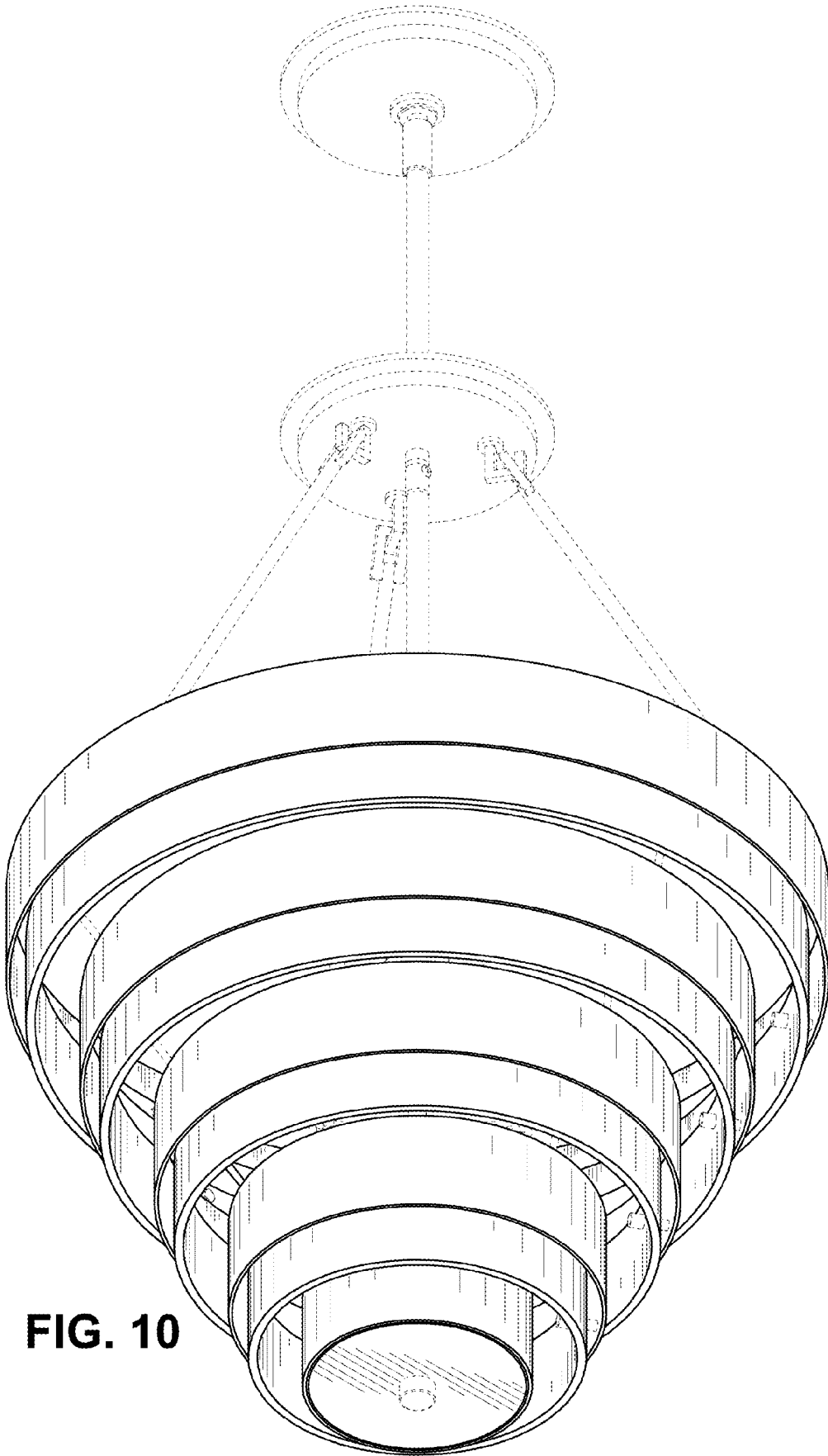


FIG. 10

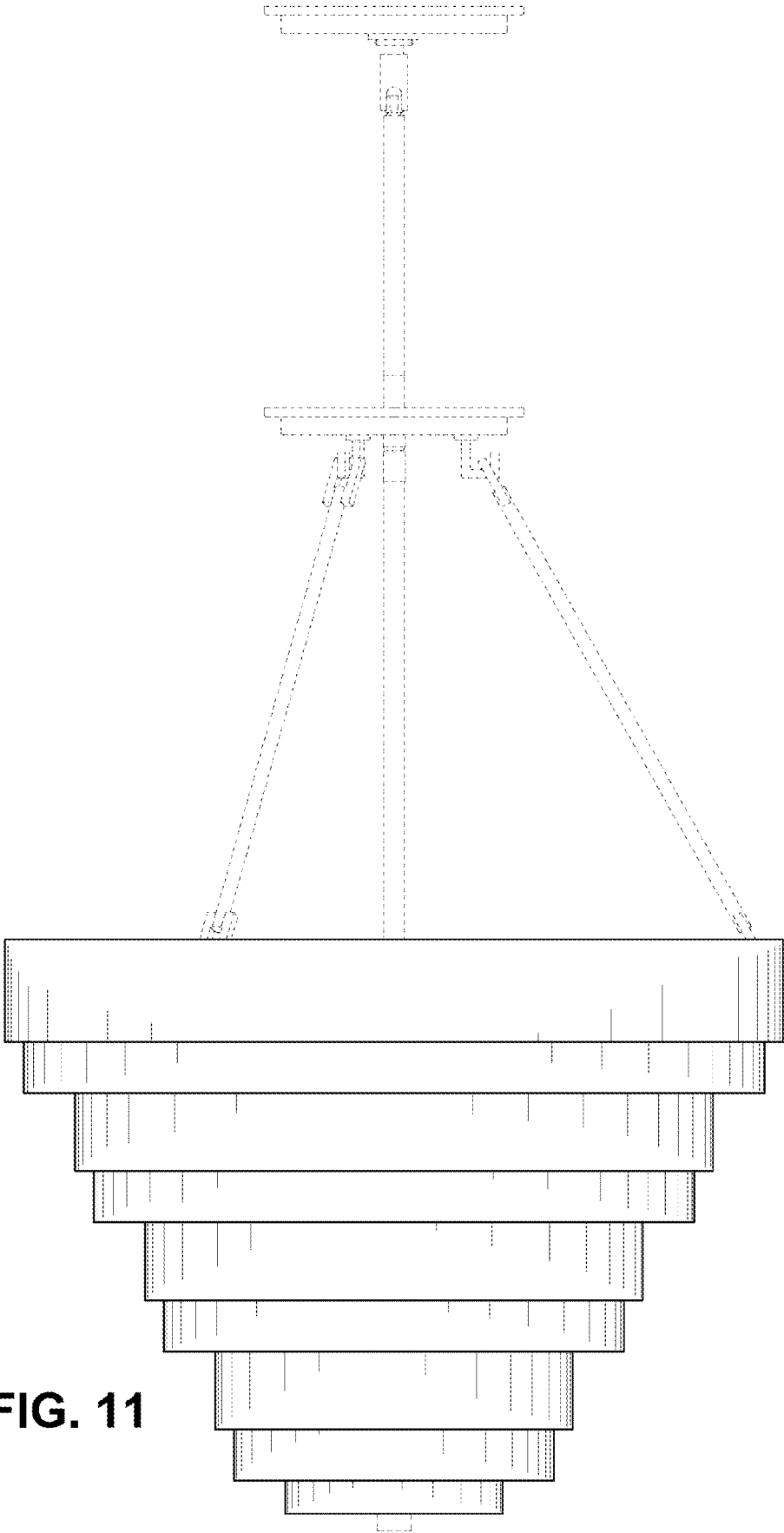


FIG. 11

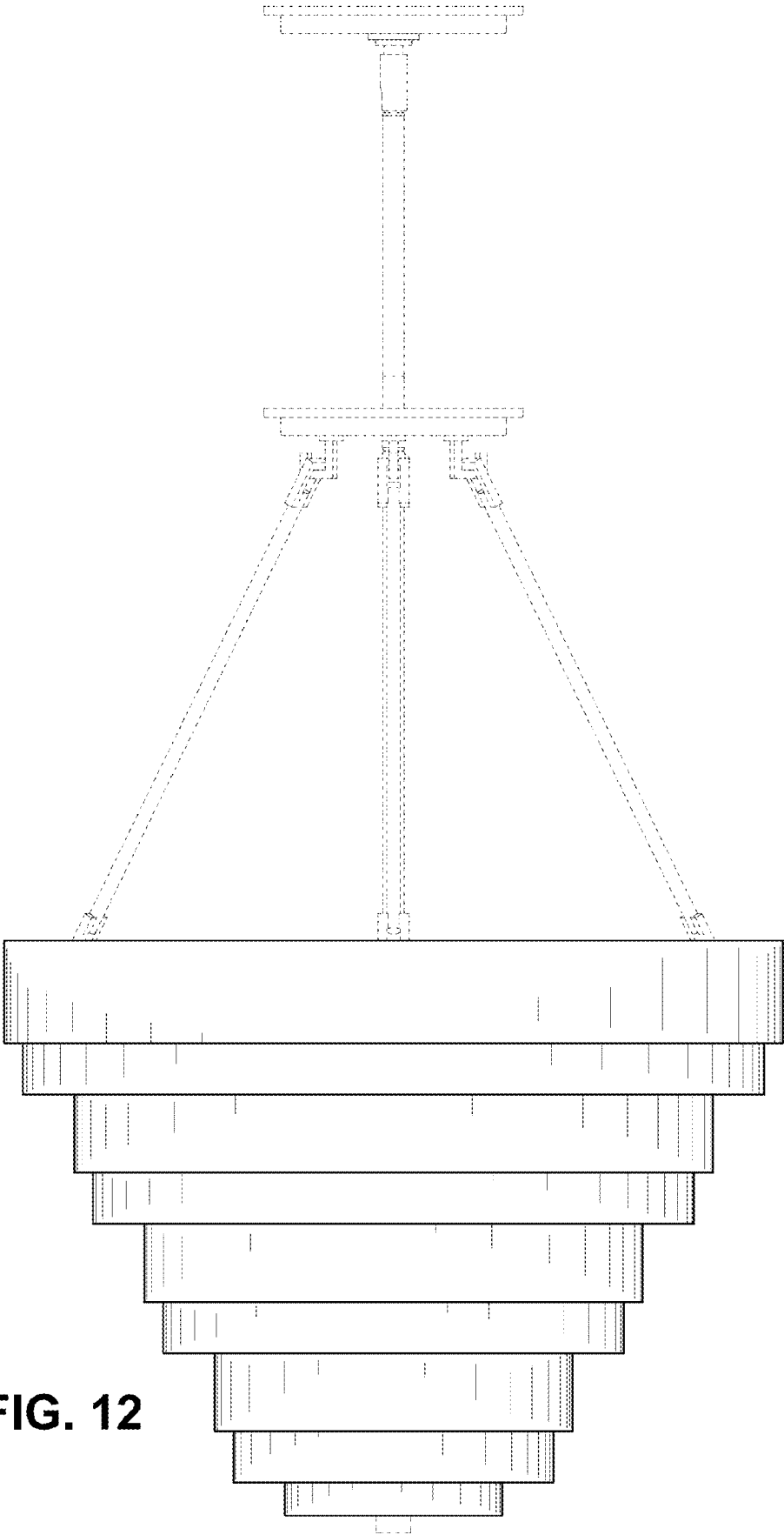


FIG. 12

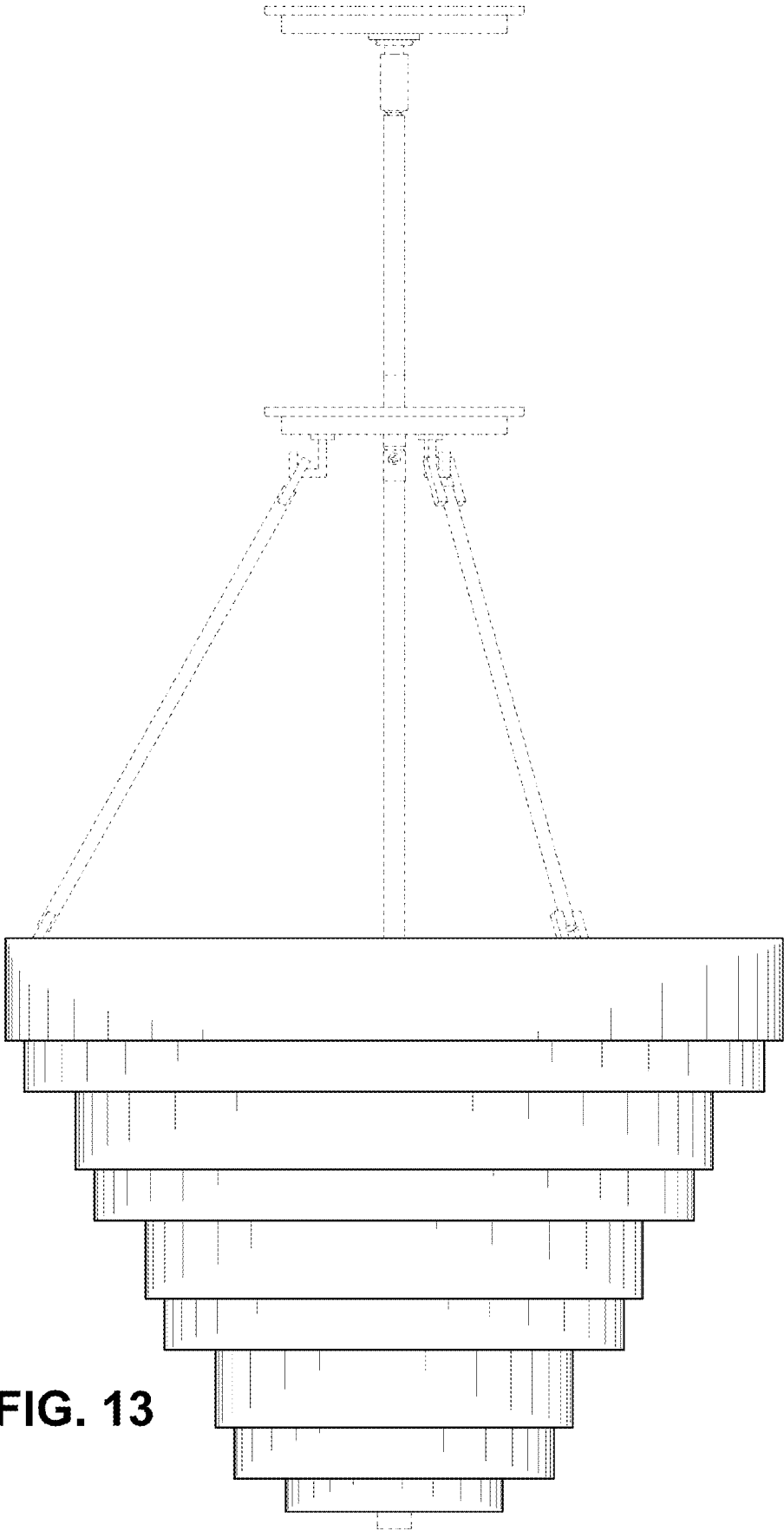


FIG. 13

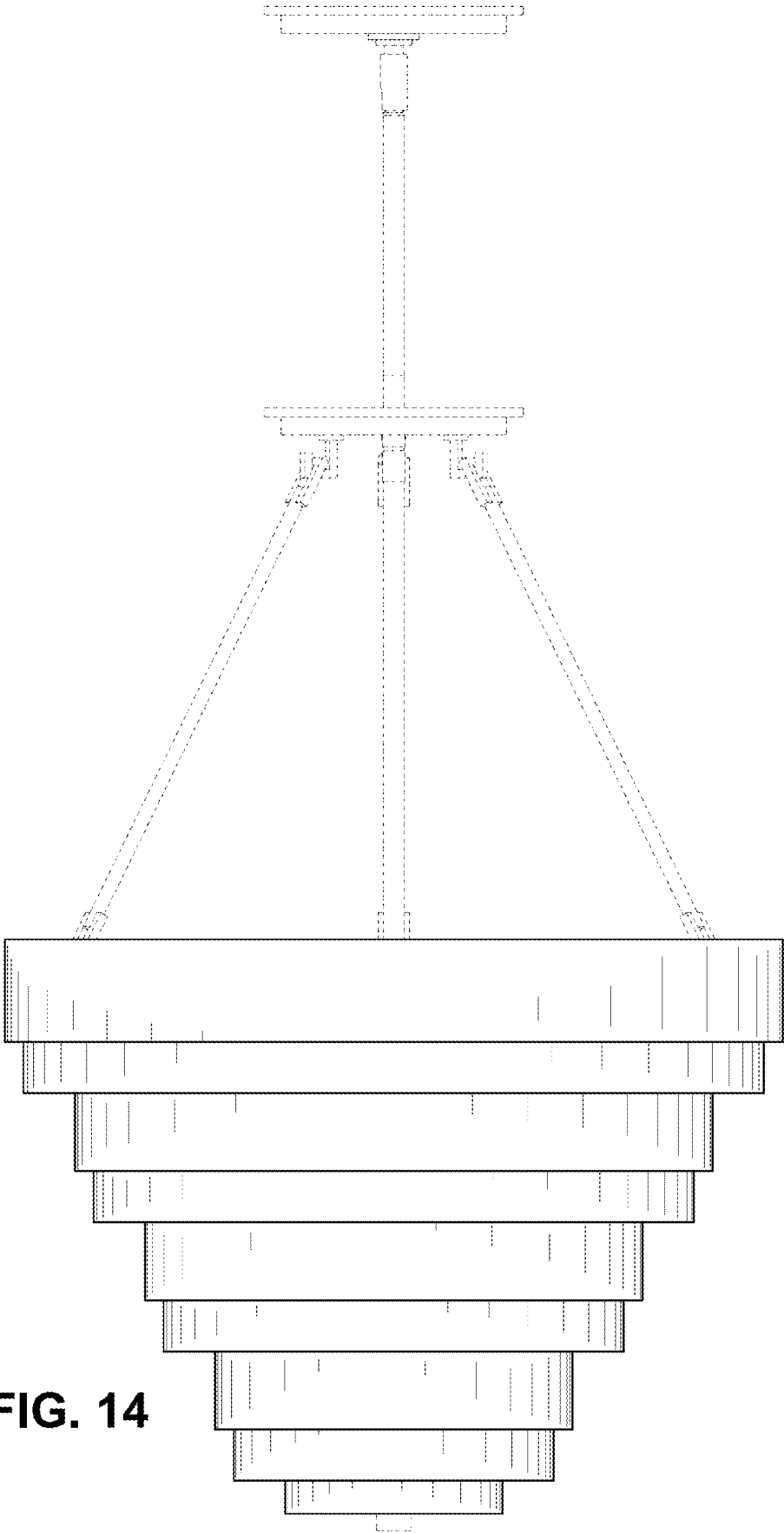


FIG. 14

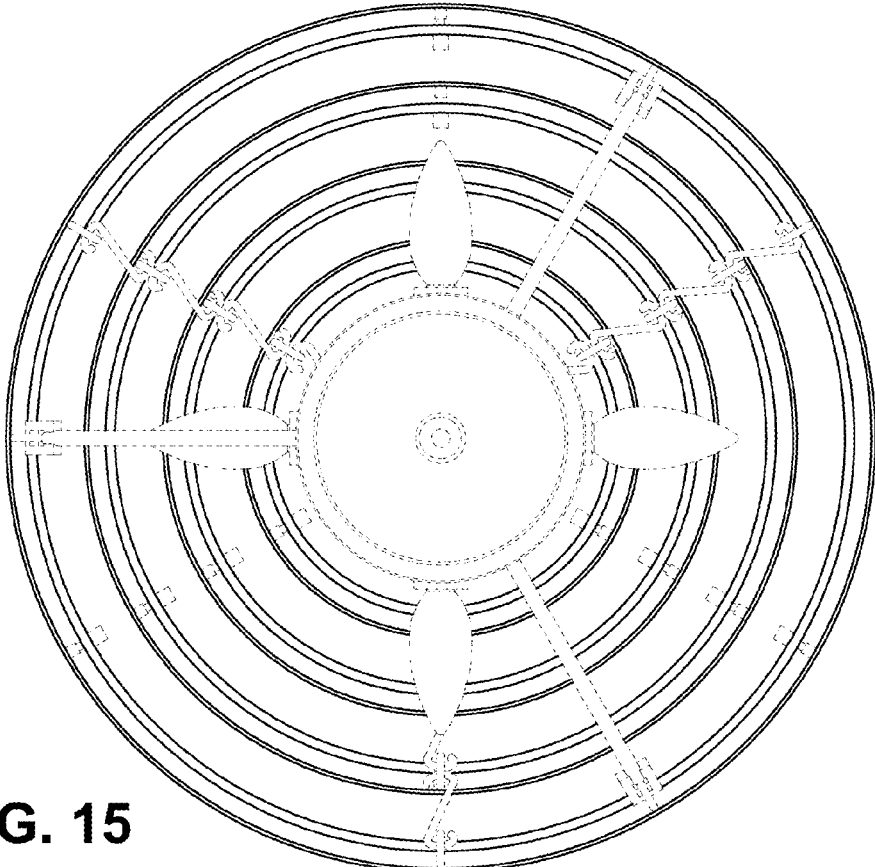


FIG. 15

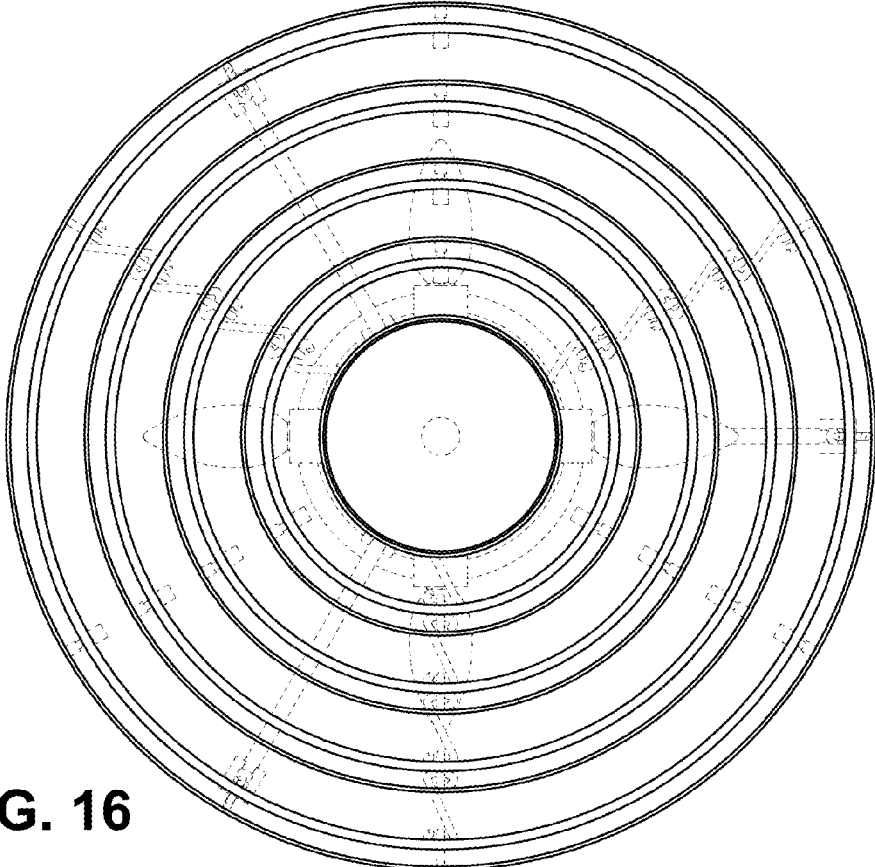


FIG. 16

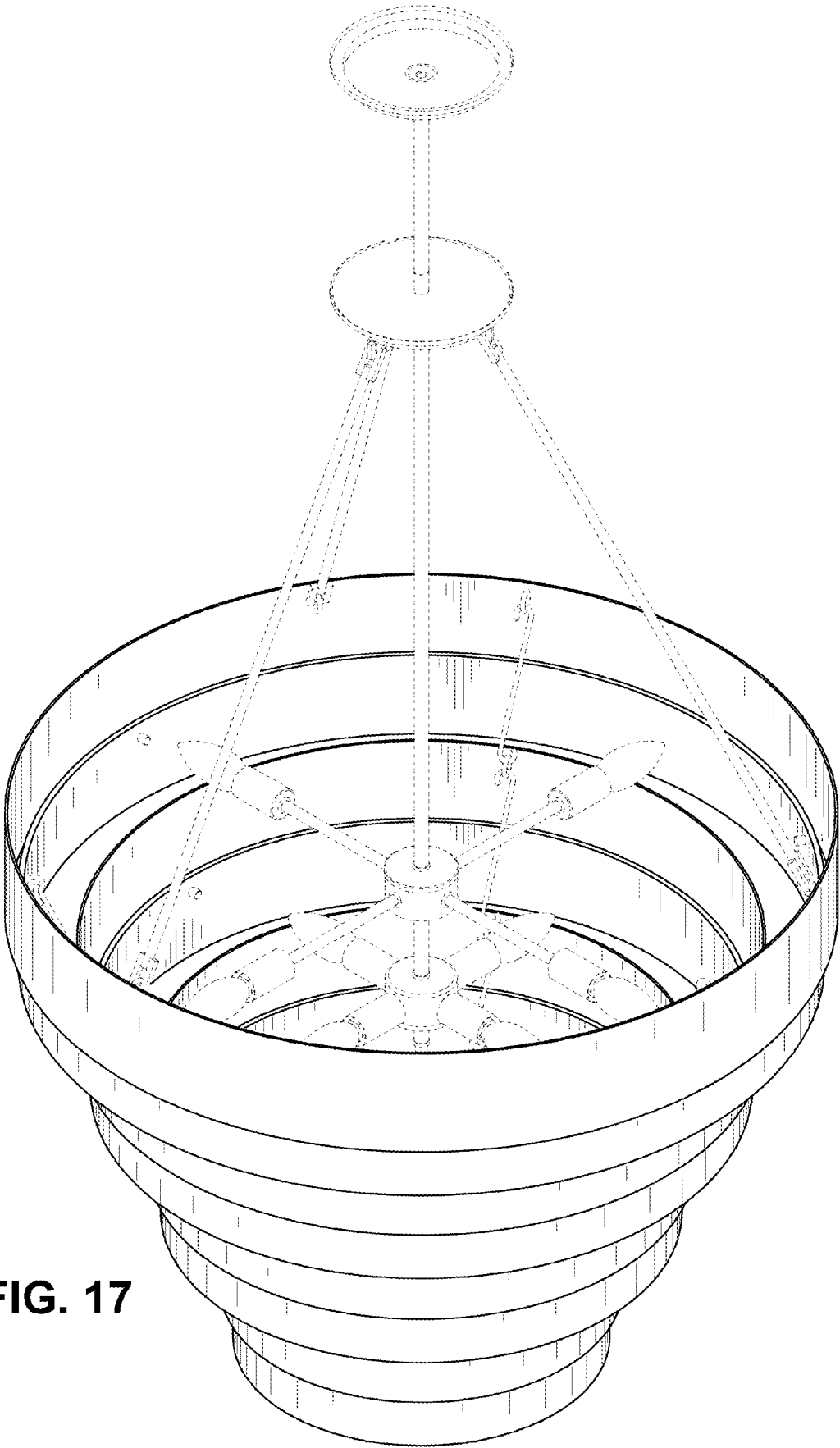


FIG. 17

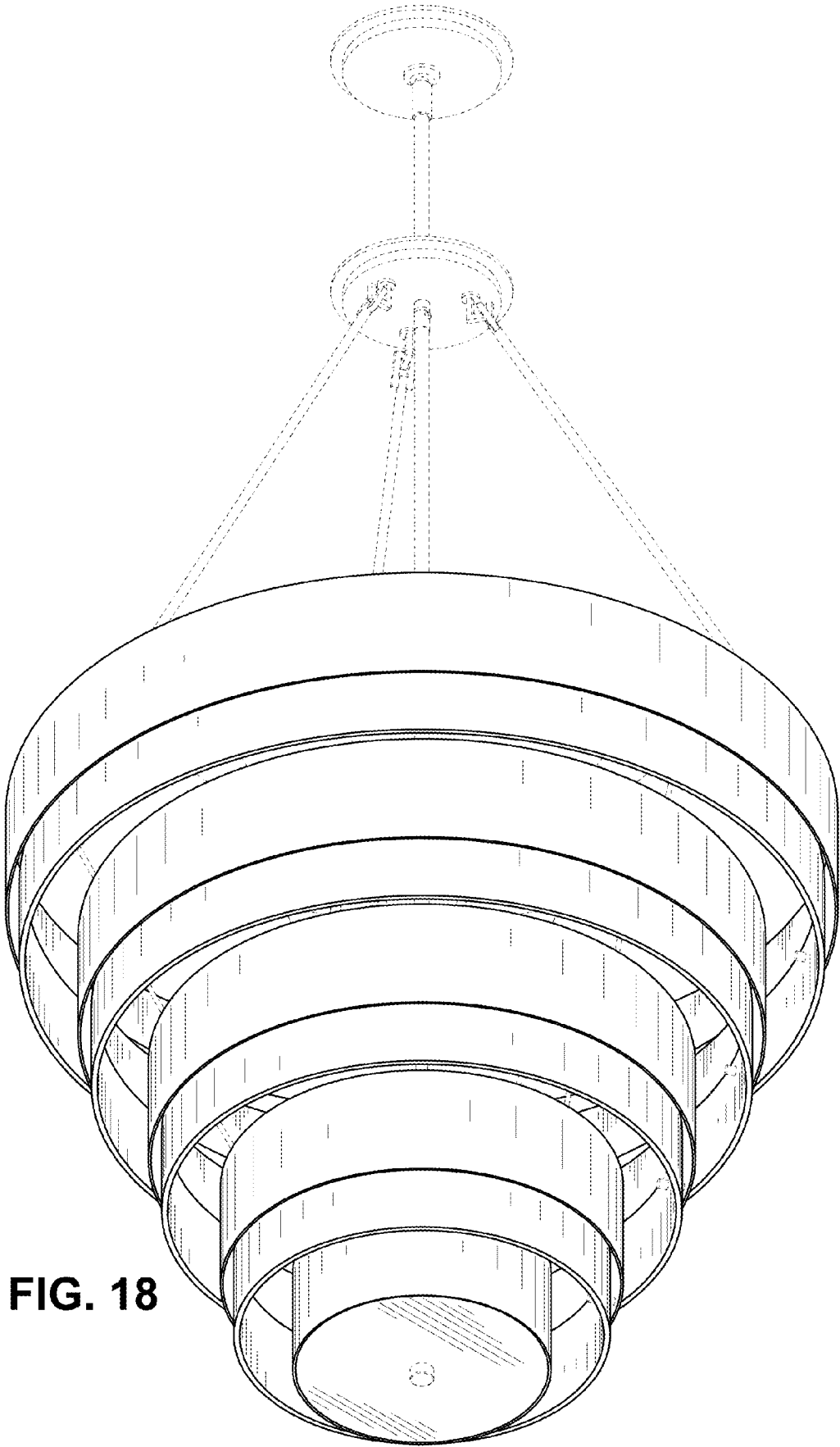


FIG. 18

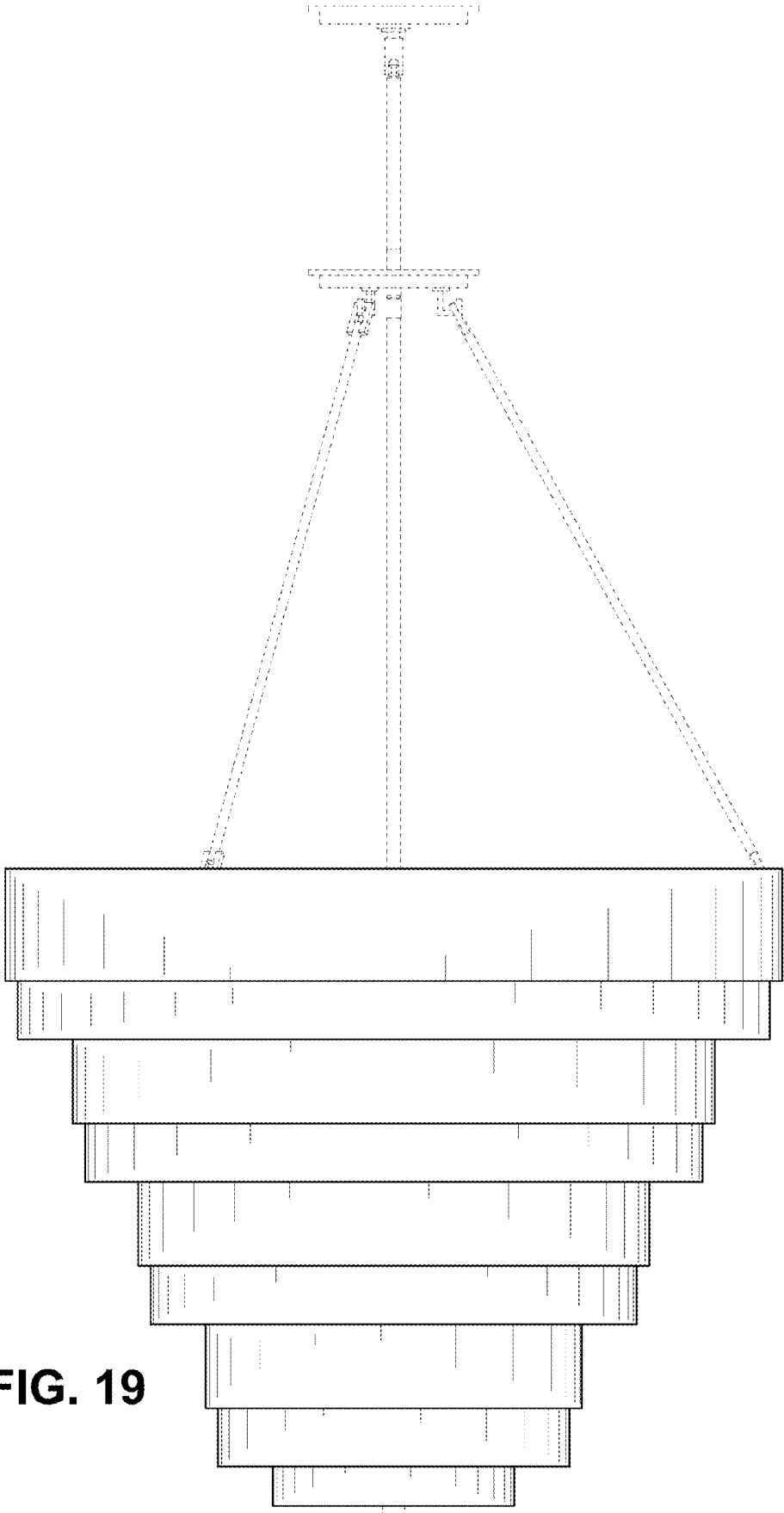


FIG. 19

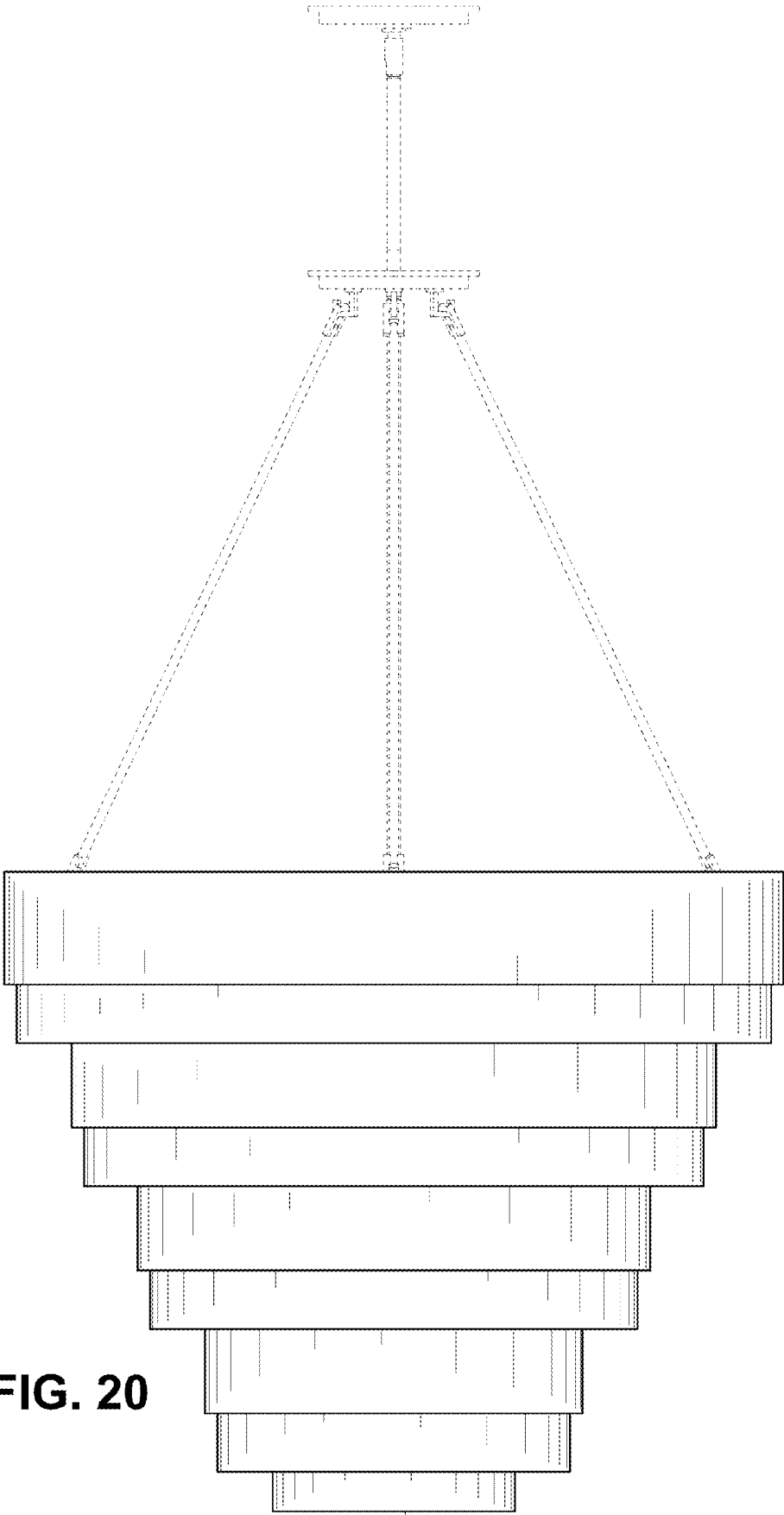


FIG. 20

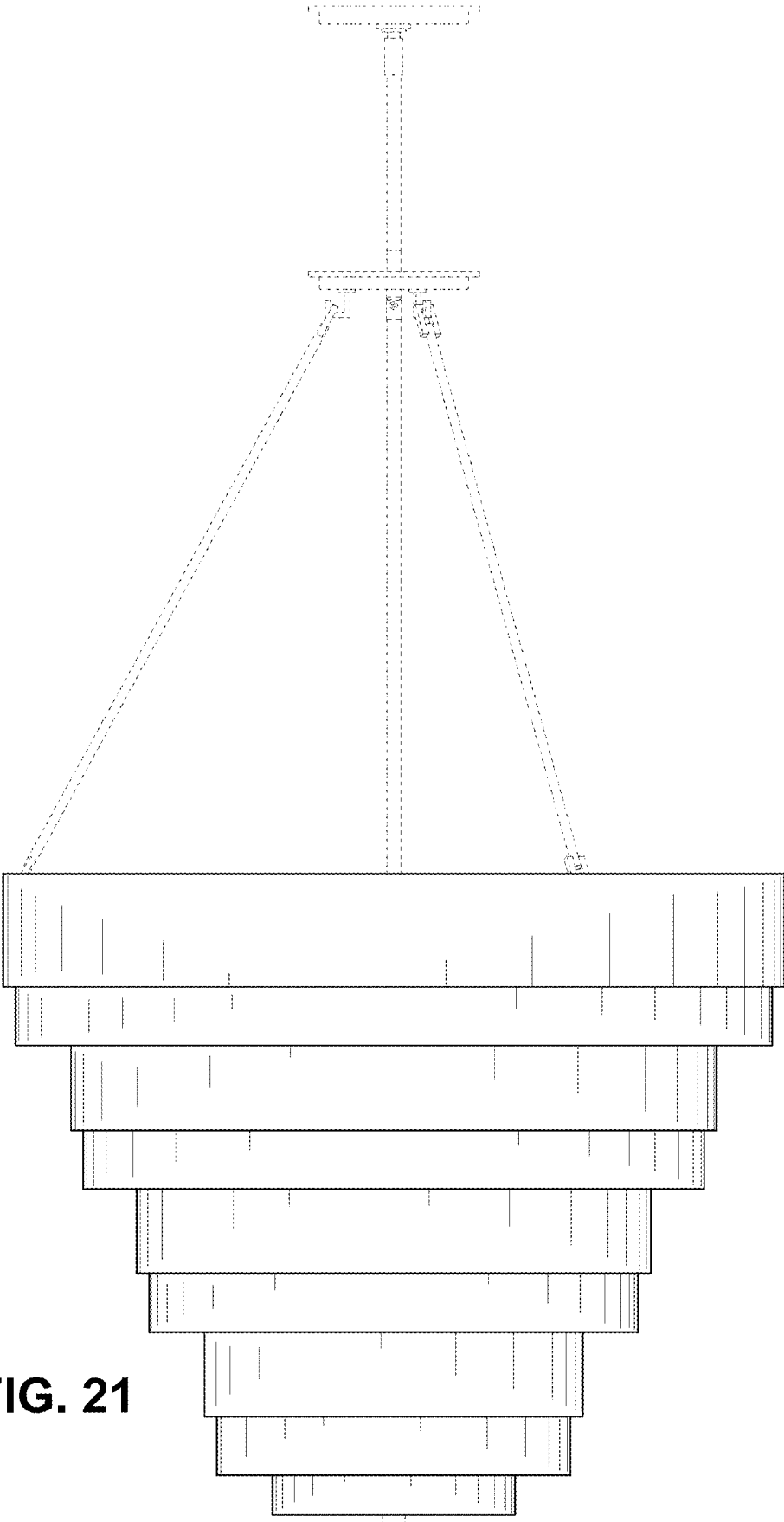


FIG. 21

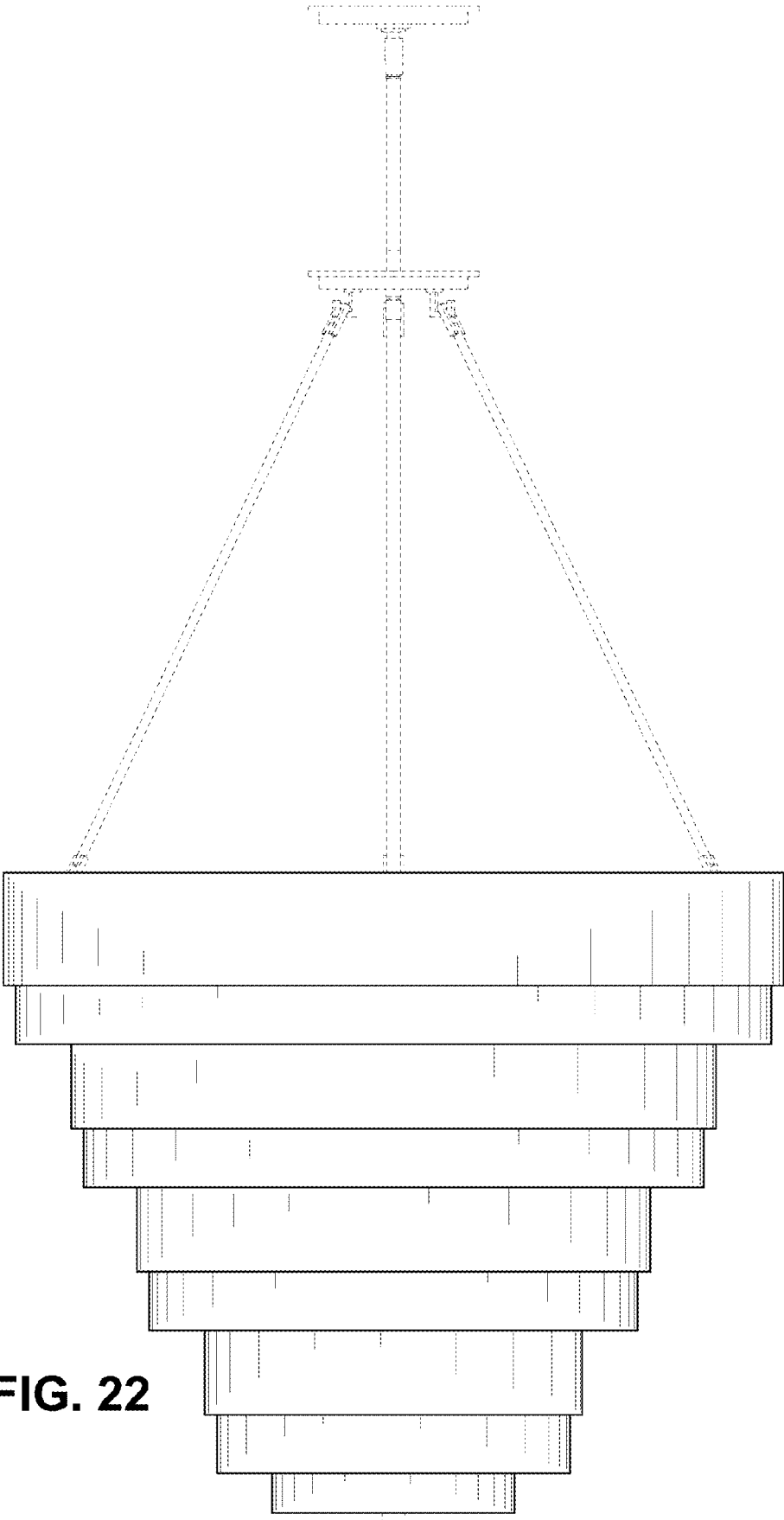


FIG. 22

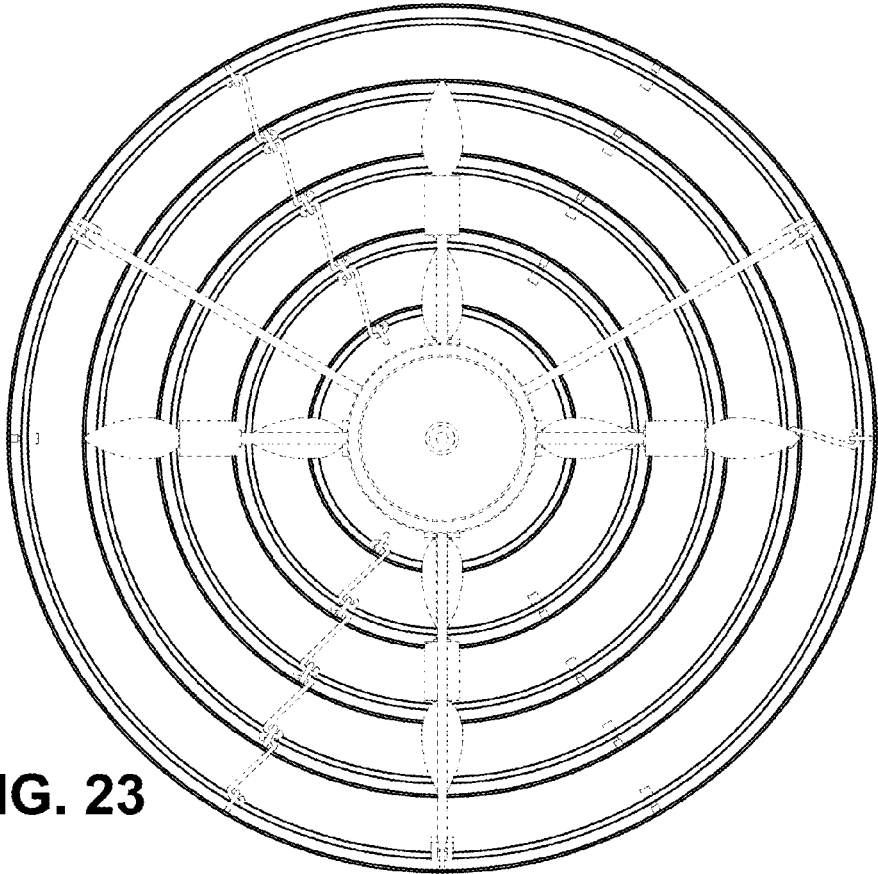


FIG. 23

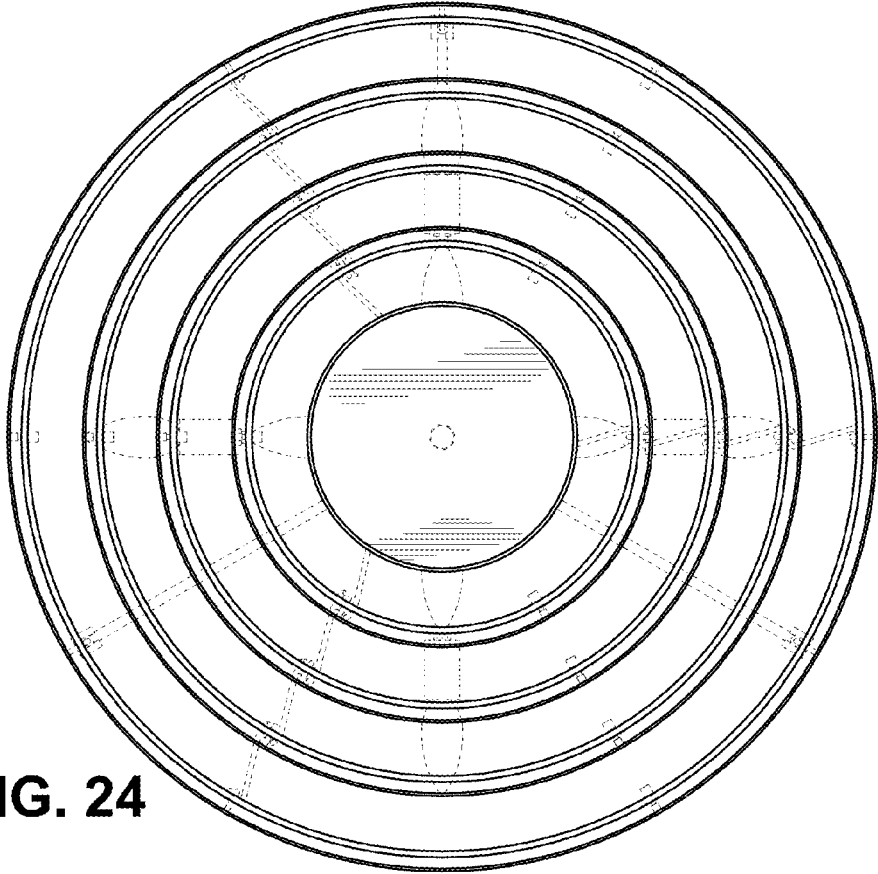


FIG. 24