



US00D410091S

# United States Patent [19]

[11] Patent Number: **Des. 410,091**

Rehmeier et al.

[45] Date of Patent: **\*\* May 18, 1999**

[54] CONTACT LENS CLEANING DEVICE  
[76] Inventors: **Theodore H. Rehmeier**, 3411 Scarsborough Dr., Winston-Salem, N.C. 27104; **Rebecca A. Fuller**, 111 Cascade Ave., Winston -Salem, N.C. 27127

D. 354,070 1/1995 Chen ..... D24/218  
4,307,289 12/1981 Thomas et al. .... 422/300 X  
4,852,594 8/1989 Chen ..... 134/140  
4,907,613 3/1990 Litzaw ..... 134/158

Primary Examiner—Stella Reid

[\*\*] Term: **14 Years**

### [57] CLAIM

[21] Appl. No.: **29/068,418**

The ornamental design for a contact lens cleaning device, as shown and described.

[22] Filed: **Apr. 3, 1997**

### DESCRIPTION

[51] LOC (6) Cl. .... **24-01**  
[52] U.S. Cl. .... **D24/218**  
[58] Field of Search ..... D24/218; 134/901, 134/140, 158

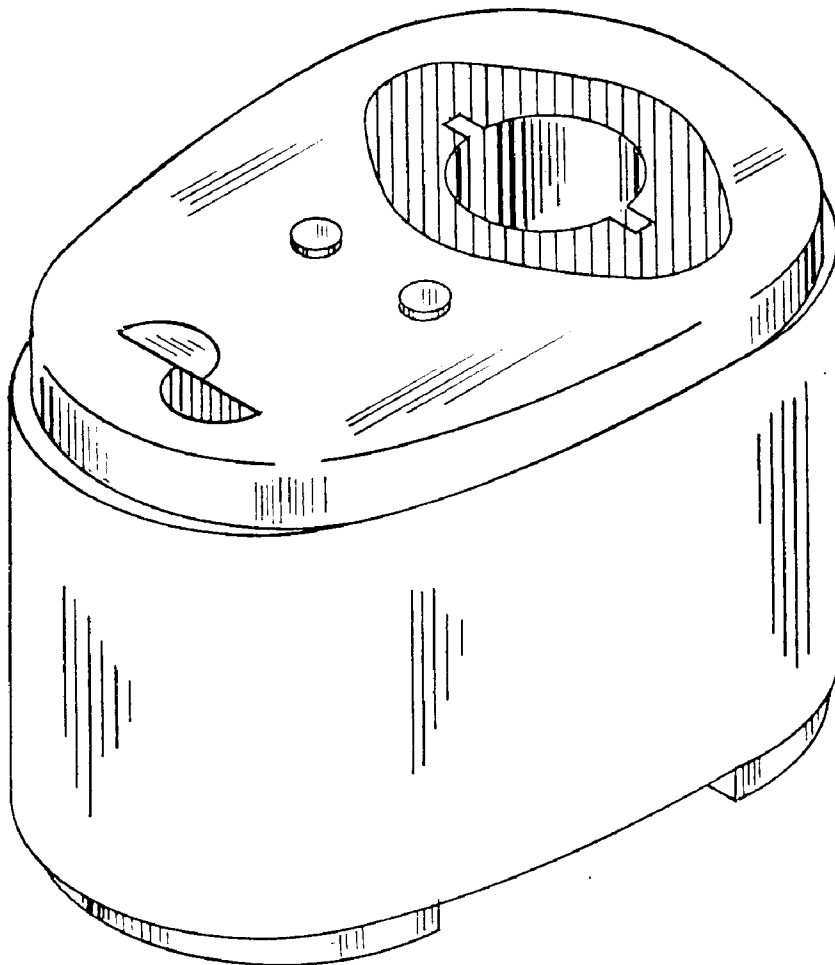
FIG. 1 is a side elevational view showing my new design with the opposite side being identical thereto; FIG. 2 is a front elevational view thereof; FIG. 3 is a back elevational view thereof; FIG. 4 is a top plan view thereof; FIG. 5 is a bottom plan view thereof; and, FIG. 6 is a perspective view thereof.

### [56] References Cited

#### U.S. PATENT DOCUMENTS

D. 256,391 8/1980 Thomas et al. .... D24/218  
D. 341,615 11/1993 Ifejika ..... D24/218 X

**1 Claim, 1 Drawing Sheet**



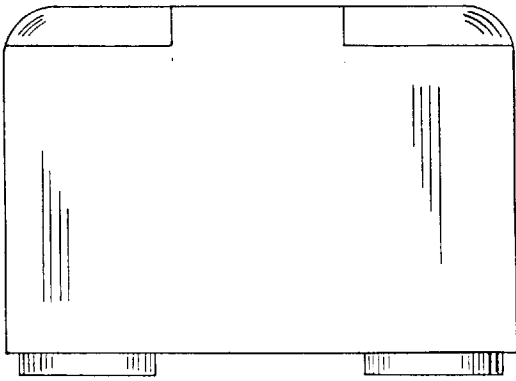


FIG. 1

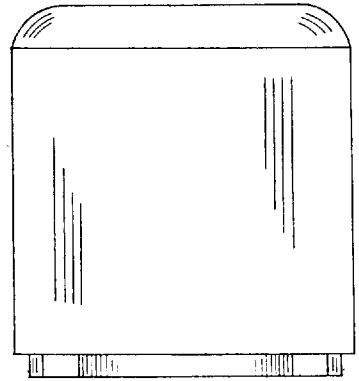


FIG. 2

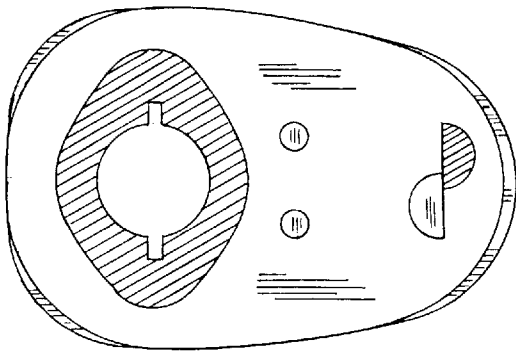


FIG. 4

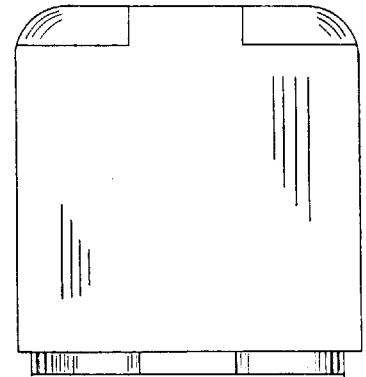


FIG. 3

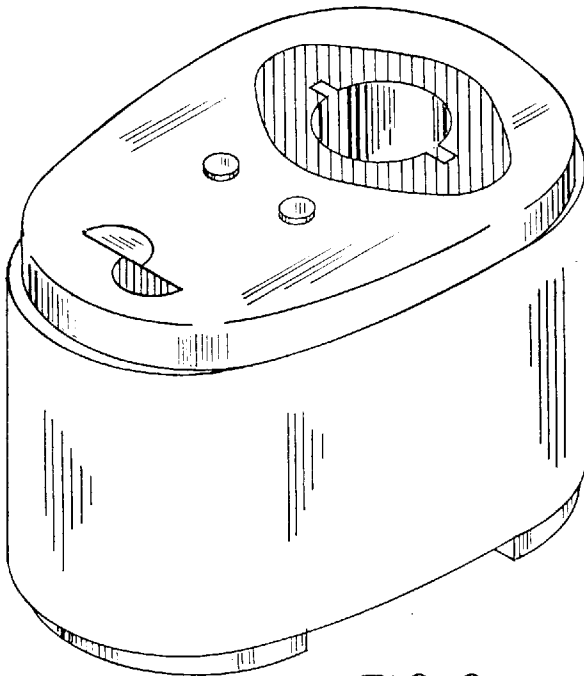


FIG. 6

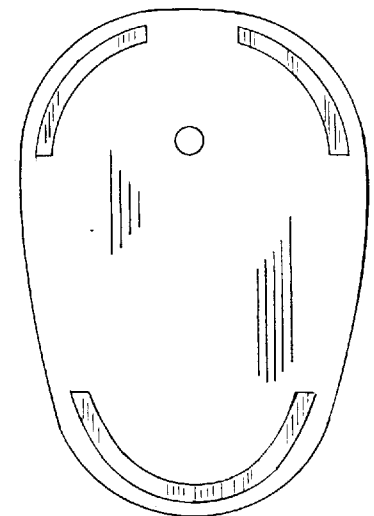


FIG. 5