



(12) **United States Design Patent**
Zhang et al.

(10) **Patent No.:** **US D802,593 S**
(45) **Date of Patent:** **** Nov. 14, 2017**

(54) **SCANNER**

(71) Applicant: **Hand Held Products, Inc.**, Fort Mill, SC (US)

(72) Inventors: **Pengfei Zhang**, Shanghai (CN); **Dezhi Yang**, Shanghai (CN)

(73) Assignee: **Hand Held Products, Inc.**, Fort Mill, SC (US)

(**) Term: **15 Years**

(21) Appl. No.: **29/555,990**

(22) Filed: **Feb. 26, 2016**

(30) **Foreign Application Priority Data**

Aug. 28, 2015 (CN) 2015 3 0329152

(51) **LOC (10) Cl.** **14-02**

(52) **U.S. Cl.**
USPC **D14/420**

(58) **Field of Classification Search**

USPC D14/420, 426-430, 453; 235/462.01, 235/462.11, 462.43, 462.45, 462.49, 235/472.01, 385, 454, 435, 439-441, 375, 235/444, 456, 459, 462.14, 462.17, 462.2, 235/462.21, 490, 494, 476, 462.22, 235/462.32, 462.35; 382/313, 321, 318; 358/473; 250/215, 216, 566; D26/37-50, 24; 362/157, 158, 171-174, 362/183-208; 396/427; D24/158
CPC G06K 7/10584; G06K 7/10613; G06K 7/10881; G06K 7/109; G06K 7/10693; G06K 7/10871; G06K 7/1096; G06K 7/10; G06K 7/10564; G06K 7/10594; G06K 7/10603; G06K 7/10663; G06K 7/10673; G06K 7/10702; G06K 7/10792; G06K 7/10633; G06K 7/10653; G06K 7/10891; G06K 7/14; G06K 7/1443; G06K 7/10801; G06K 7/10811; G06K 7/10851; G06K 7/10861; G06K

2207/1011; G06K 2207/1012; G06K 2207/1013; G06K 2207/1016; G06K 2207/1017; G06K 2207/1018; G06K 2207/10534; G06K 17/0022; G06K 7/04; G06K 7/1404; G06K 7/1447; G06K 7/10623; G06K 7/10683; G06K 7/10821; A47F 9/046; A47F 9/047; G07G 1/0045; G04N 5/23238; G04N 5/2252; G04N 5/2251; G03B 17/02; B25H 5/00; B66F 7/28; G02B 26/10; G02B 26/106; G07F 11/002; G07F 11/02; G06Q 20/343; G06F 2203/0331

See application file for complete search history.

(56) **References Cited**

U.S. PATENT DOCUMENTS

D295,413 S * 4/1988 Nakamura D14/420
D314,187 S * 1/1991 Richards D14/381
D335,662 S * 5/1993 Shepard D14/427
D342,245 S * 12/1993 Krichever D14/427

(Continued)

Primary Examiner — Susan Moon Lee

(74) *Attorney, Agent, or Firm* — Additon, Higgins & Pendleton, P.A.

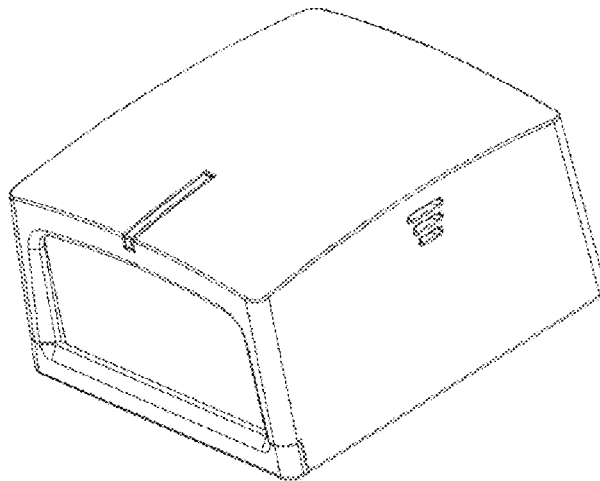
(57) **CLAIM**

The ornamental design for a scanner, as shown and described.

DESCRIPTION

FIG. 1 is a top plan view of a scanner in accordance with the present design;
FIG. 2 is a bottom view thereof;
FIG. 3 is a left side elevation view thereof;
FIG. 4 is a right side elevation view thereof;
FIG. 5 is a rear elevation view thereof;
FIG. 6 is a front elevation view thereof; and,
FIG. 7 is a front perspective view thereof.

1 Claim, 7 Drawing Sheets



(56)

References Cited

U.S. PATENT DOCUMENTS

| | | | | | | | | | | | |
|-----------|------|---------|----------|-------|--------------|--------------|------|---------|------------|-------|--------------|
| 5,548,106 | A * | 8/1996 | Liang | | G06K 7/10851 | 8,998,091 | B2 * | 4/2015 | Edmonds | | G06K 7/10554 |
| | | | | | 235/454 | | | | | | 235/454 |
| 5,550,366 | A * | 8/1996 | Roustaei | | G06K 7/10891 | D743,397 | S * | 11/2015 | Ciabattoni | | D14/420 |
| | | | | | 235/455 | D751,078 | S * | 3/2016 | Hatzav | | D14/420 |
| 5,610,386 | A * | 3/1997 | Ball | | G06K 7/10891 | D755,181 | S * | 5/2016 | Mistkawi | | D14/420 |
| | | | | | 235/412 | 2004/0149829 | A1 * | 8/2004 | Boucher | | A47F 9/046 |
| D391,250 | S * | 2/1998 | Swift | | D14/427 | | | | | | 235/462.43 |
| 5,808,289 | A * | 9/1998 | Becker | | G06K 7/10891 | 2007/0125864 | A1 * | 6/2007 | Hayakawa | | G06K 7/10623 |
| | | | | | 235/462.01 | | | | | | 235/462.43 |
| D406,827 | S * | 3/1999 | Huang | | D21/333 | 2008/0078838 | A1 * | 4/2008 | Morris | | G06K 7/10891 |
| RE37,017 | E * | 1/2001 | Stanzani | | G06K 7/10574 | | | | | | 235/462.44 |
| | | | | | 235/440 | 2008/0245982 | A1 * | 10/2008 | Vonmetz | | G06K 7/10613 |
| D442,963 | S * | 5/2001 | Salazar | | D14/420 | | | | | | 250/566 |
| D444,811 | S * | 7/2001 | Yamamoto | | D18/50 | 2010/0133344 | A1 * | 6/2010 | Yamanouchi | | G06K 7/10861 |
| 6,318,635 | B1 * | 11/2001 | Stoner | | G06K 7/10722 | | | | | | 235/462.43 |
| | | | | | 235/462.32 | 2010/0277330 | A1 * | 11/2010 | Gentilini | | G06K 7/10881 |
| D453,514 | S * | 2/2002 | Elam | | D14/420 | | | | | | 340/679 |
| D454,873 | S * | 3/2002 | Clark | | D14/358 | 2012/0062963 | A1 * | 3/2012 | Gillham | | B63C 11/48 |
| D529,950 | S * | 10/2006 | Katayama | | D18/50 | | | | | | 358/474 |
| 7,195,162 | B2 * | 3/2007 | Mazzone | | G06K 7/10881 | 2013/0038985 | A1 * | 2/2013 | Powell | | G06K 7/109 |
| | | | | | 235/454 | | | | | | 361/679.01 |
| D585,066 | S * | 1/2009 | Morris | | D14/427 | 2013/0341495 | A1 * | 12/2013 | Fabbri | | G01S 7/493 |
| D656,124 | S * | 3/2012 | Smith | | D14/204 | | | | | | 250/214.1 |
| 8,235,294 | B2 * | 8/2012 | Miller | | G06K 7/0004 | 2015/0371071 | A1 * | 12/2015 | Ciabattoni | | G06K 9/20 |
| | | | | | 235/462.46 | | | | | | 235/454 |
| | | | | | | 2016/0063293 | A1 * | 3/2016 | Sun | | G06K 7/10891 |
| | | | | | | | | | | | 235/462.44 |

* cited by examiner

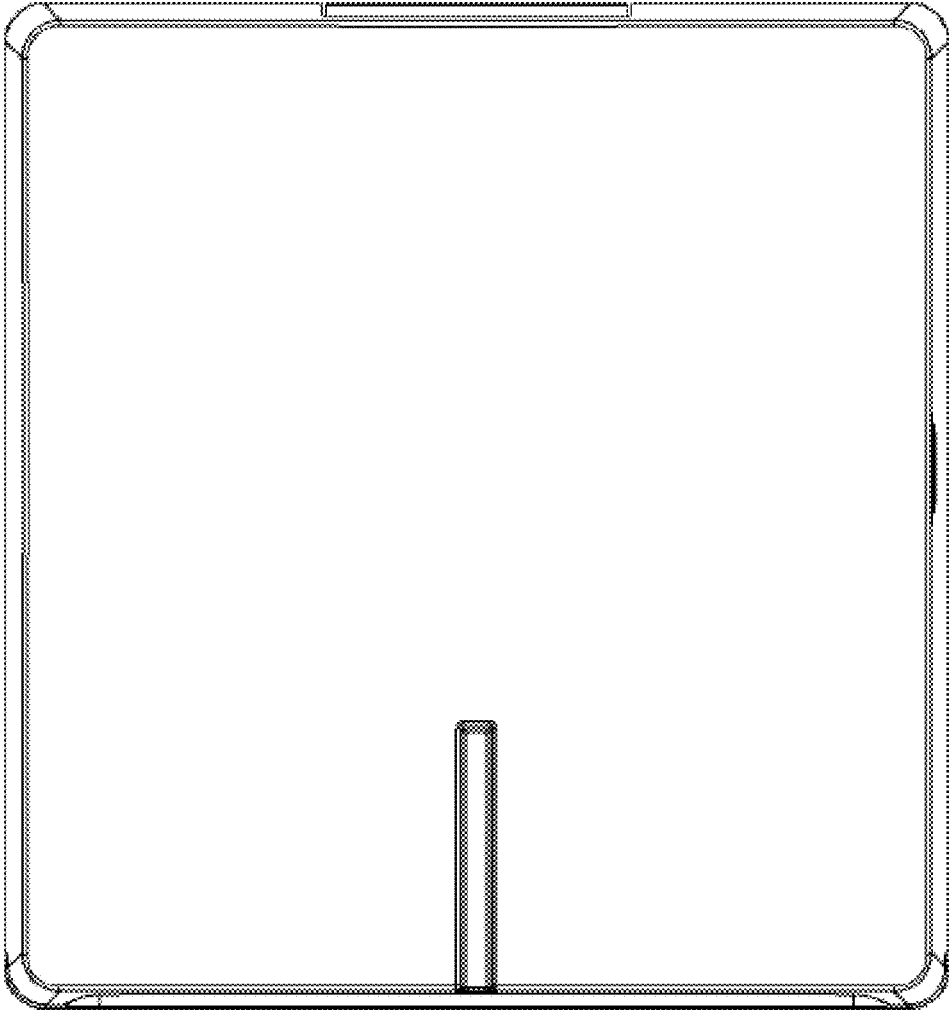


Figure 1

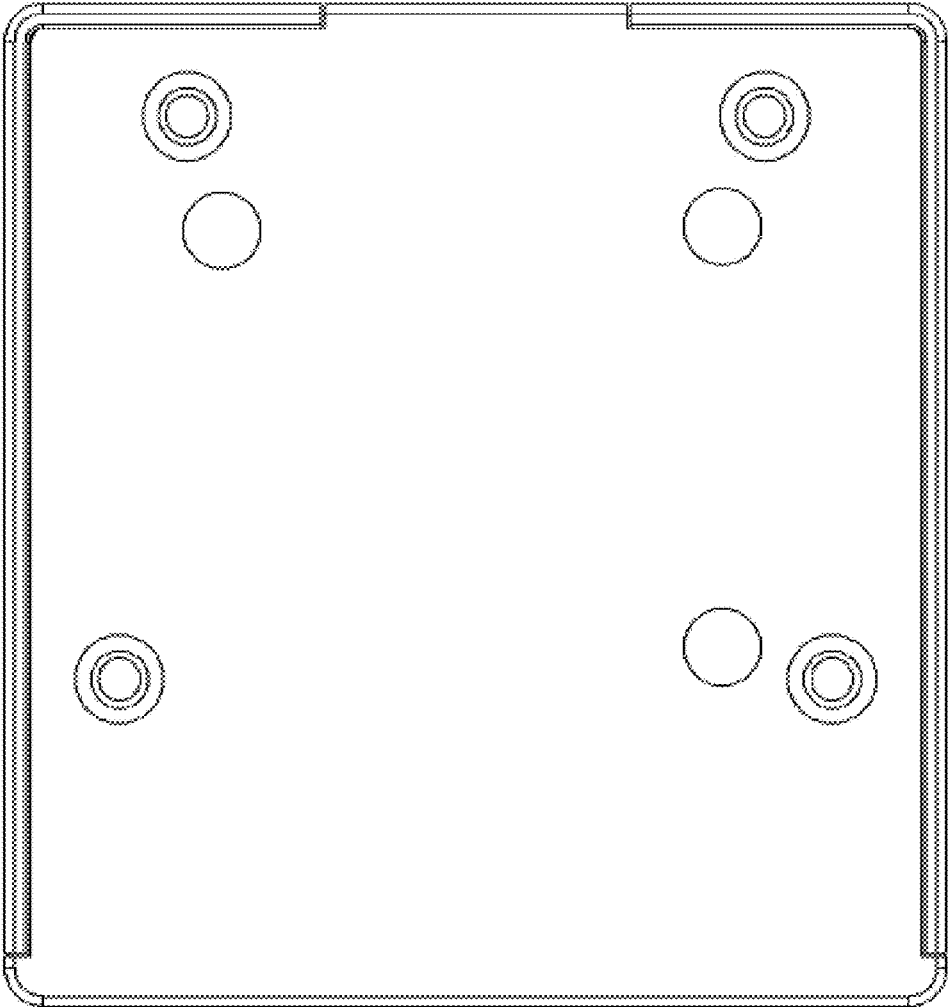


Figure 2

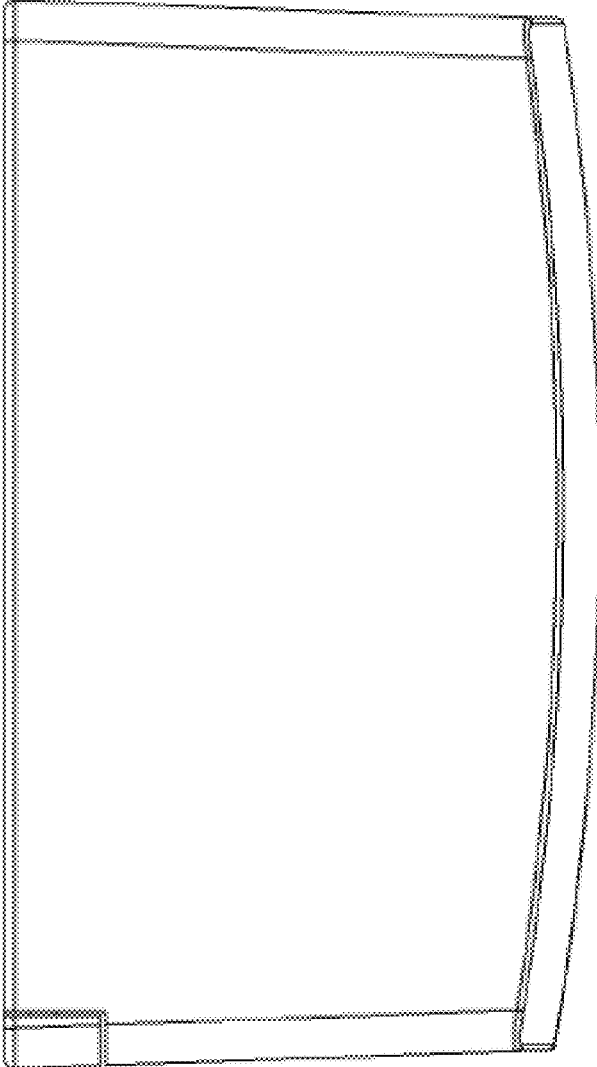


Figure 3

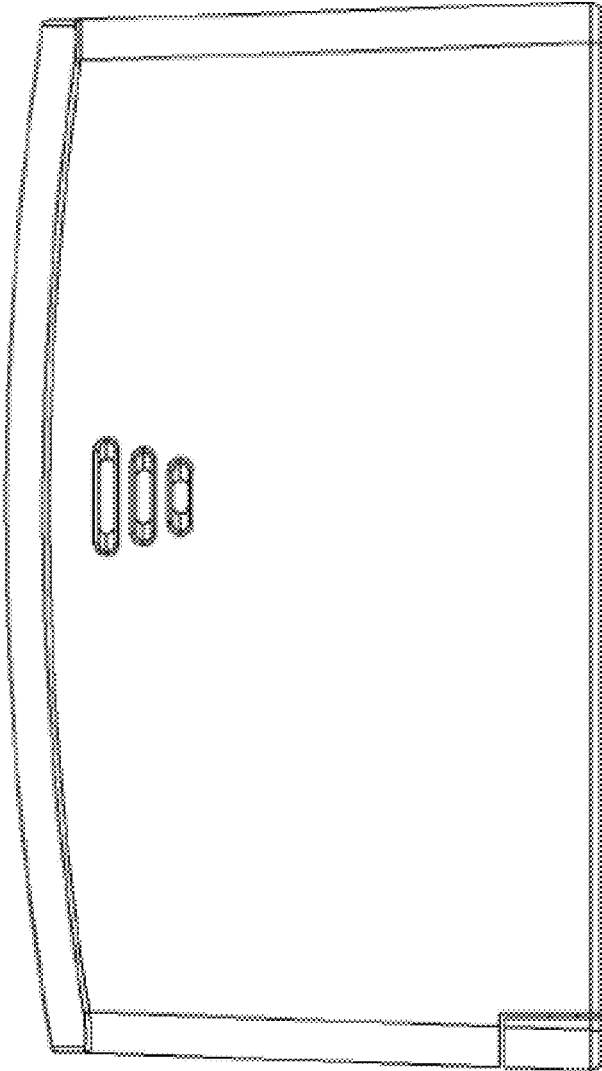


Figure 4

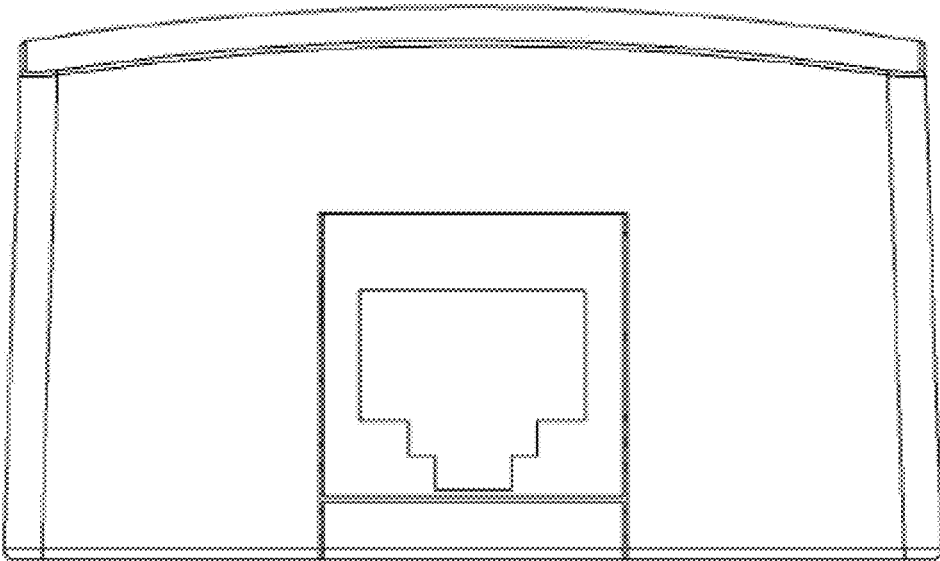


Figure 5

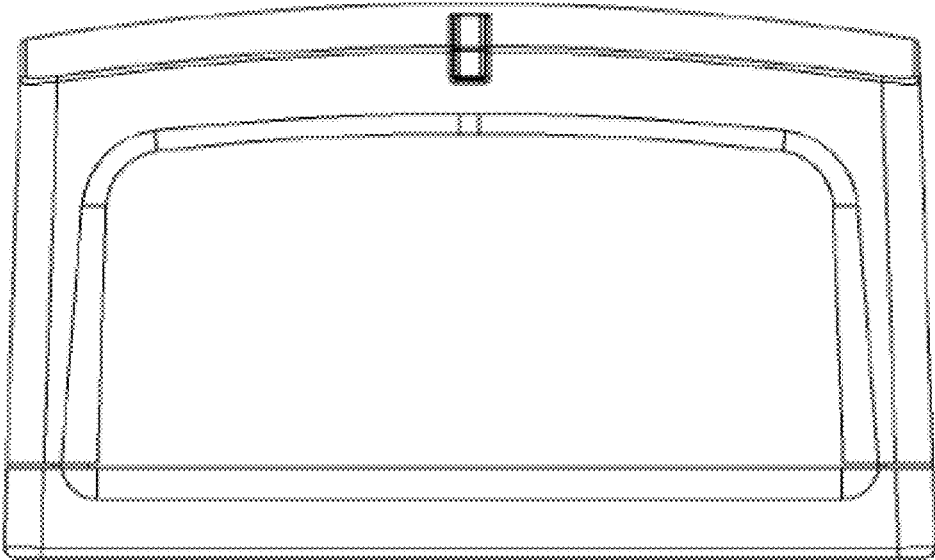


Figure 6

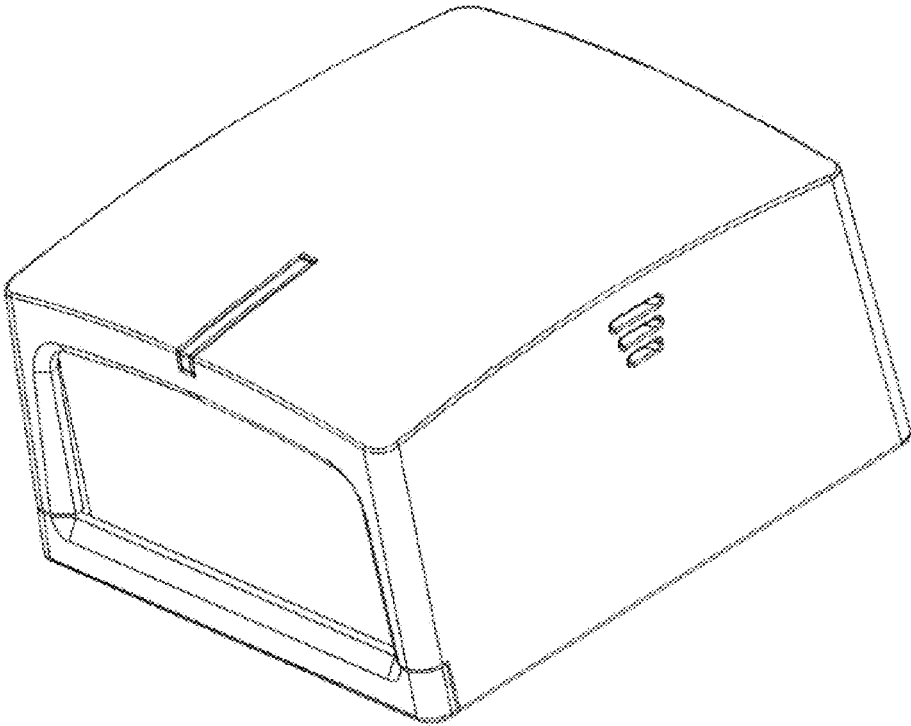


Figure 7