

(19) World Intellectual Property Organization
International Bureau



(43) International Publication Date
3 September 2009 (03.09.2009)

PCT

(10) International Publication Number
WO 2009/108524 A3

(51) International Patent Classification:
H01R 43/00 (2006.01)

(74) Agent: **KING & SPALDING LLP**; Attn: IP Docketing/
SETHNA, Shaun B., 1100 Louisiana St., Suite 4000,
Houston, TX 77002-5213 (US).

(21) International Application Number:
PCT/US2009/034187

(81) Designated States (unless otherwise indicated, for every
kind of national protection available): AE, AG, AL, AM,
AO, AT, AU, AZ, BA, BB, BG, BH, BR, BW, BY, BZ,
CA, CH, CN, CO, CR, CU, CZ, DE, DK, DM, DO, DZ,
EC, EE, EG, ES, FI, GB, GD, GE, GH, GM, GT, HN,
HR, HU, ID, IL, IN, IS, JP, KE, KG, KM, KN, KP, KR,
KZ, LA, LC, LK, LR, LS, LT, LU, LY, MA, MD, ME,
MG, MK, MN, MW, MX, MY, MZ, NA, NG, NI, NO,
NZ, OM, PG, PH, PL, PT, RO, RS, RU, SC, SD, SE, SG,
SK, SL, SM, ST, SV, SY, TJ, TM, TN, TR, TT, TZ, UA,
UG, US, UZ, VC, VN, ZA, ZM, ZW.

(22) International Filing Date:
16 February 2009 (16.02.2009)

(25) Filing Language: English

(26) Publication Language: English

(30) Priority Data:
12/072,193 25 February 2008 (25.02.2008) US

(71) Applicant (for all designated States except US): **COOP-
ER TECHNOLOGIES COMPANY** [US/US]; 600
Travis St., Suite 5600, Houston, TX 77002 (US).

(84) Designated States (unless otherwise indicated, for every
kind of regional protection available): ARIPO (BW, GH,
GM, KE, LS, MW, MZ, NA, SD, SL, SZ, TZ, UG, ZM,
ZW), Eurasian (AM, AZ, BY, KG, KZ, MD, RU, TJ,
TM), European (AT, BE, BG, CH, CY, CZ, DE, DK, EE,
ES, FI, FR, GB, GR, HR, HU, IE, IS, IT, LT, LU, LV,
MC, MK, MT, NL, NO, PL, PT, RO, SE, SI, SK, TR),
OAPI (BF, BJ, CF, CG, CI, CM, GA, GN, GQ, GW, ML,
MR, NE, SN, TD, TG).

(72) Inventors; and
(75) Inventors/Applicants (for US only): **HUGHES, David,**
Charles [US/US]; W1847 Pond Road, Rubicon, WI
53078 (US). **KADOW, Mark, Clifford** [US/US]; N24
W30817 Fairway Court, Pewaukee, WI 53072 (US).
GEBHARD, Michael, John, SR. [US/US]; 636 Green-
meadow Drive, Waukesha, WI 53188 (US).

[Continued on next page]

(54) Title: METHOD OF MANUFACTURING A DUAL INTERFACE SEPARABLE INSULATED CONNECTOR WITH OVERMOLDED FARADAY CAGE

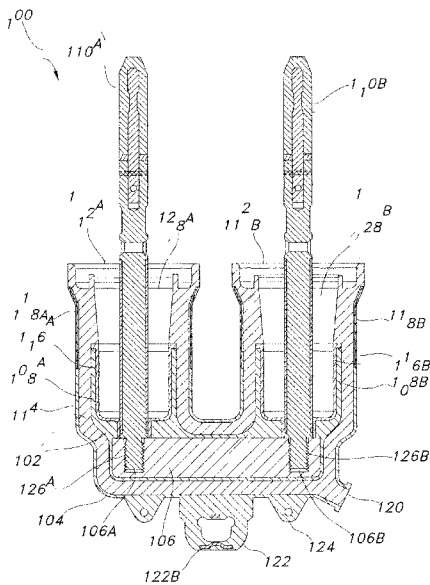


FIG. 1

(57) Abstract: A dual interface separable insulated connector comprising a faraday cage molded over a bus bar for use in an electric power system and a method of manufacturing the same are provided. The faraday cage can be disposed within a semi-conductive shell. The configuration of the separable insulated connector can provide for easier bonding between the faraday cage and insulating material. Additionally, the configuration can eliminate or reduce the need to coat the bus bar with an adhesive agent and to smooth the metal bus bar to remove burrs, other irregularities, and sharp corners from the bar. Manufacturing the dual interface separable insulated connector can include molding a semi-conductive rubber faraday cage over a conductive bus bar, inserting the faraday cage into a shell, and injecting insulating material between the faraday cage and shell.

WO 2009/108524 A3

WO 2009/108524 A3



Published:

— *with international search report (Art. 21(3))*

(88) Date of publication of the international search report:

7 January 2010

INTERNATIONAL SEARCH REPORT

International application No.
PCT/US2009/034187

A. CLASSIFICATION OF SUBJECT MATTER
 IPC(8) - H01R 43/00 (2009.01)
 USPC - 29/883
 According to International Patent Classification (IPC) or to both national classification and IPC

B. FIELDS SEARCHED
 Minimum documentation searched (classification system followed by classification symbols)
 IPC(8) - H01R 43/00 (2009.01)
 USPC - 29/874, 876, 877, 883, 884; 439/86, 88, 89, 181, 183, 186, 187

Documentation searched other than minimum documentation to the extent that such documents are included in the fields searched

Electronic data base consulted during the international search (name of data base and, where practicable, search terms used)
 USPTO EAST System (US, USPG-PUB, EPO, DERWENT), Google Patents

C. DOCUMENTS CONSIDERED TO BE RELEVANT

Category*	Citation of document, with indication, where appropriate, of the relevant passages	Relevant to claim No.
Y	JP 4,190,605 A (SASAKI) 09 July 1992 (09.07.1992) entire document	1-9, 11-14, 22, 23
Y	US 2007/0097601 A1 (HUGHES) 03 May 2007 (03.05.2007) entire document	1-9, 11-14, 22, 23
Y	US 2006/0160388 A1 (HUGHES et al) 20 July 2006 (20.07.2006) entire document	2-5, 7, 10-21
Y	US 5,573,410 A (STEPNIAK) 12 November 1996 (12.11.1996) entire document	2-5, 12, 13
Y	US 5,904,887 A (NAKAMURA et al) 18 May 1999 (18.05.1999) entire document	2-5, 10-21
Y	US 7,304,262 B2 (STOVING et al) 04 December 2007 (04.12.2007) entire document	6
Y	US 2007/0293073 A1 (HUGHES et al) 20 December 2007 (20.12.2007) entire document	13, 19, 20
Y	US 2007/0108164 A1 (MUENCH et al) 17 May 2007 (17.05.2007) entire document	15, 16
Y	US 6,302,927 B1 (TANIGAWA) 16 October 2001 (16.10.2001) entire document	15
Y	US 2007/0287313 A1 (HUGHES) 13 December 2007 (13.12.2007) entire document	17, 18
Y	US 5,676,901 A (HIGASHI et al) 14 October 1997 (14.10.1997) entire document	21

Further documents are listed in the continuation of Box C.

* Special categories of cited documents:

"A" document defining the general state of the art which is not considered to be of particular relevance	"T" later document published after the international filing date or priority date and not in conflict with the application but cited to understand the principle or theory underlying the invention
"E" earlier application or patent but published on or after the international filing date	"X" document of particular relevance; the claimed invention cannot be considered novel or cannot be considered to involve an inventive step when the document is taken alone
"L" document which may throw doubts on priority claim(s) or which is cited to establish the publication date of another citation or other special reason (as specified)	"Y" document of particular relevance; the claimed invention cannot be considered to involve an inventive step when the document is combined with one or more other such documents, such combination being obvious to a person skilled in the art
"O" document referring to an oral disclosure, use, exhibition or other means	"&" document member of the same patent family
"P" document published prior to the international filing date but later than the priority date claimed	

Date of the actual completion of the international search 07 April 2009	Date of mailing of the international search report 20 APR 2009
--	--

Name and mailing address of the ISA/US Mail Stop PCT, Attn: ISA/US, Commissioner for Patents P.O. Box 1450, Alexandria, Virginia 22313-1450 Facsimile No. 571-273-3201	Authorized officer: Blaine R. Copenheaver PCT Helpdesk: 571-272-4300 PCT OSP: 571-272-7774
---	---