



US00D701950S

(12) **United States Design Patent**
Chan

(10) **Patent No.:** **US D701,950 S**

(45) **Date of Patent:** **** Apr. 1, 2014**

(54) **CEILING ELECTRONIC HEATER**

(71) Applicant: **Perfect Union Co., Ltd.**, New Taipei
(TW)

(72) Inventor: **Ching Chan**, New Taipei (TW)

(73) Assignee: **Perfect Union Co., Ltd.**, New Taipei
(TW)

(**) Term: **14 Years**

(21) Appl. No.: **29/452,648**

(22) Filed: **Apr. 19, 2013**

(51) **LOC (10) Cl.** **23-03**

(52) **U.S. Cl.**
USPC **D23/342**

(58) **Field of Classification Search**
USPC D23/314, 323, 330, 386, 499, 353, 393,
D23/342; 165/499, 450, 152, 182, DIG. 501,
165/176, 165; 454/309, 275-277, 284,
454/287-289

See application file for complete search history.

(56) **References Cited**

U.S. PATENT DOCUMENTS

D323,209 S *	1/1992	Fukumoto et al.	D23/351
D452,906 S *	1/2002	Peng	D23/370
D466,598 S *	12/2002	Shih-Ying	D23/335
D590,927 S *	4/2009	Park	D23/314
D590,928 S *	4/2009	Park	D23/314
D635,238 S *	3/2011	Zakula et al.	D23/388

* cited by examiner

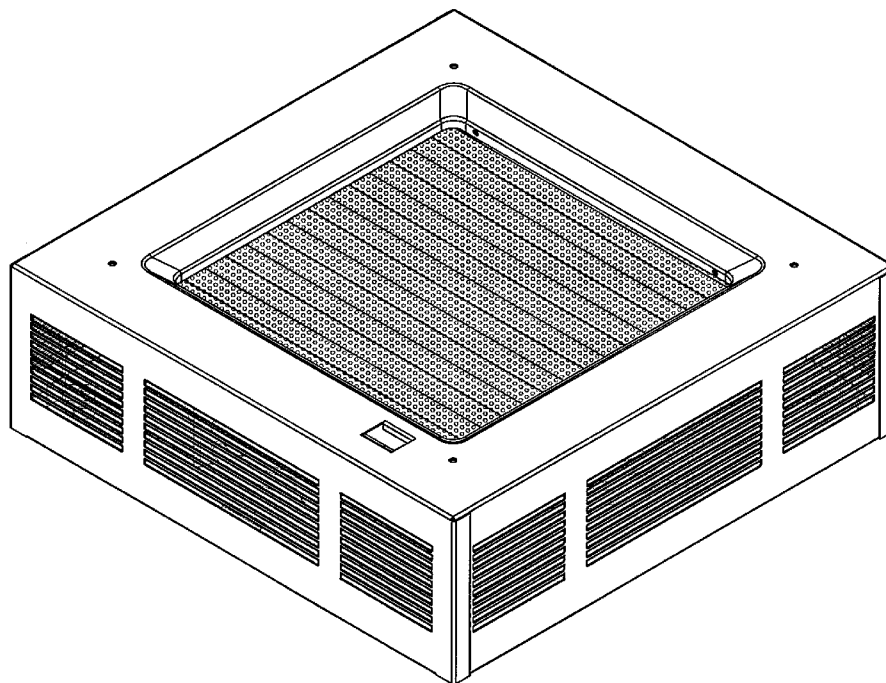
Primary Examiner — T. Chase Nelson
Assistant Examiner — Ania Aman
(74) *Attorney, Agent, or Firm* — Jackson IPG PLLC

(57) **CLAIM**
The ornamental design for a ceiling electronic heater, as shown and described.

DESCRIPTION

FIG. 1 is a top front and left side perspective view of ceiling electronic heater showing my new design; FIG. 2 is a front elevational view thereof; FIG. 3 is a rear elevational view thereof; FIG. 4 is a left side elevational view thereof; FIG. 5 is a right side elevational view thereof; FIG. 6 is a top plan view thereof; and, FIG. 7 is a bottom plan view thereof. Those portions of the illustrated design indicated by broken lines form no part of the claimed design.

1 Claim, 5 Drawing Sheets



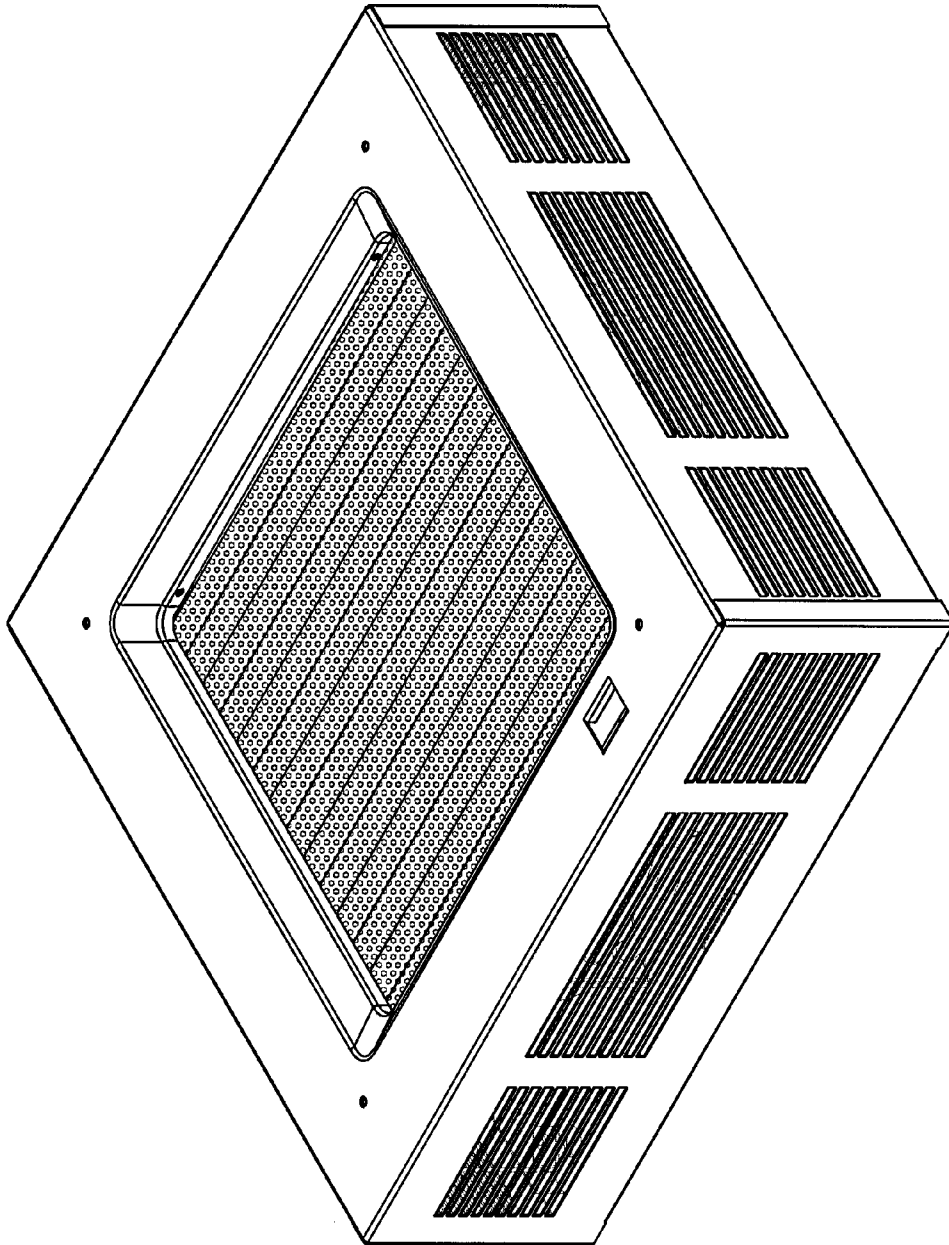


Fig. 1

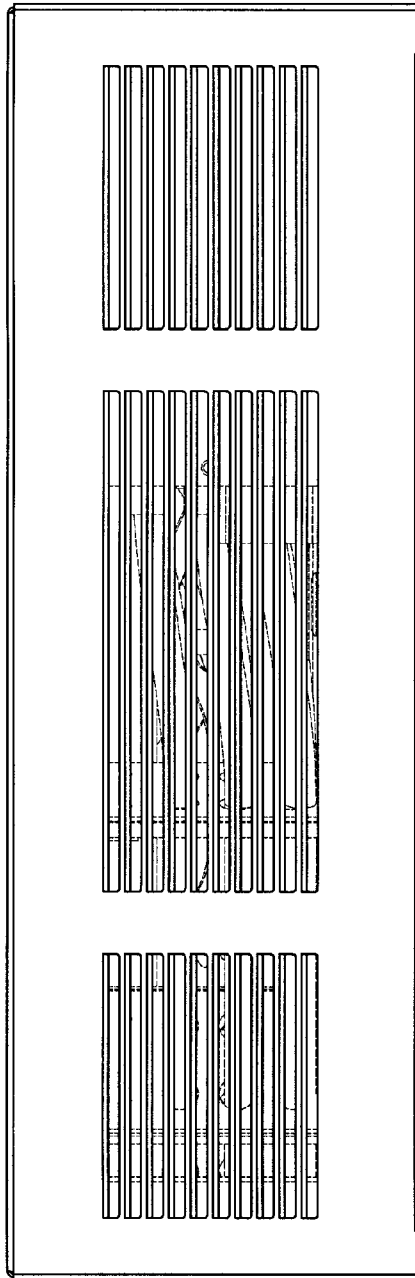


Fig. 2

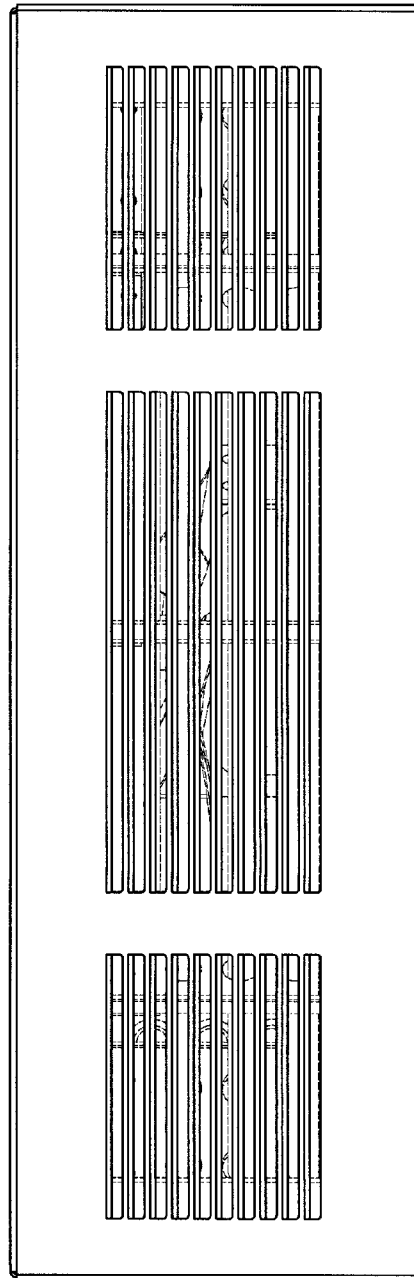


Fig. 3

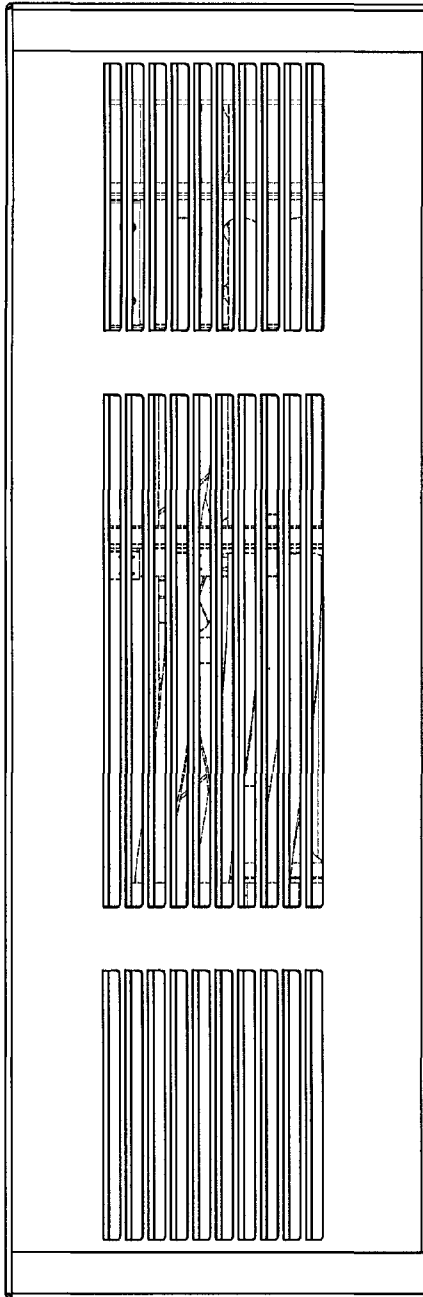


Fig. 4

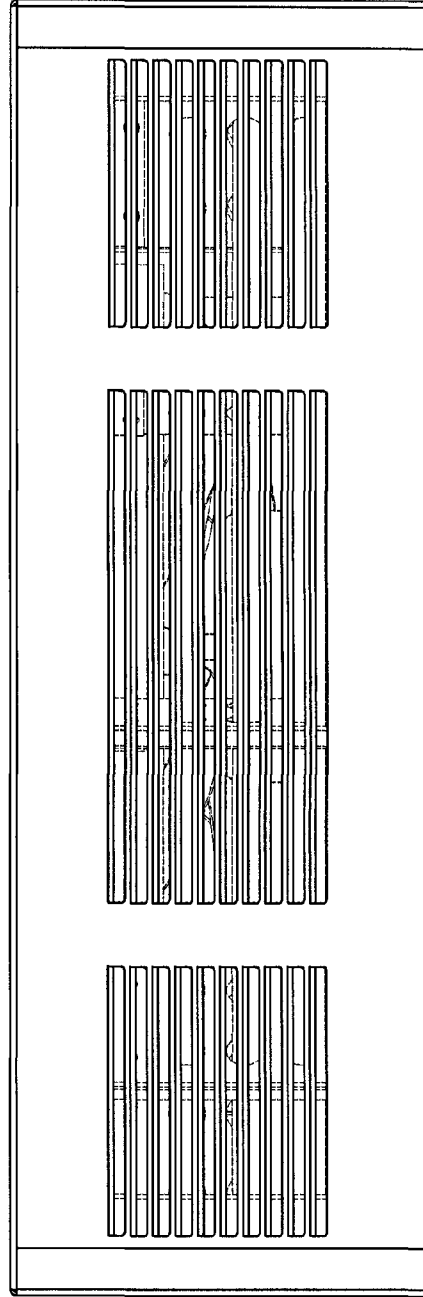


Fig. 5

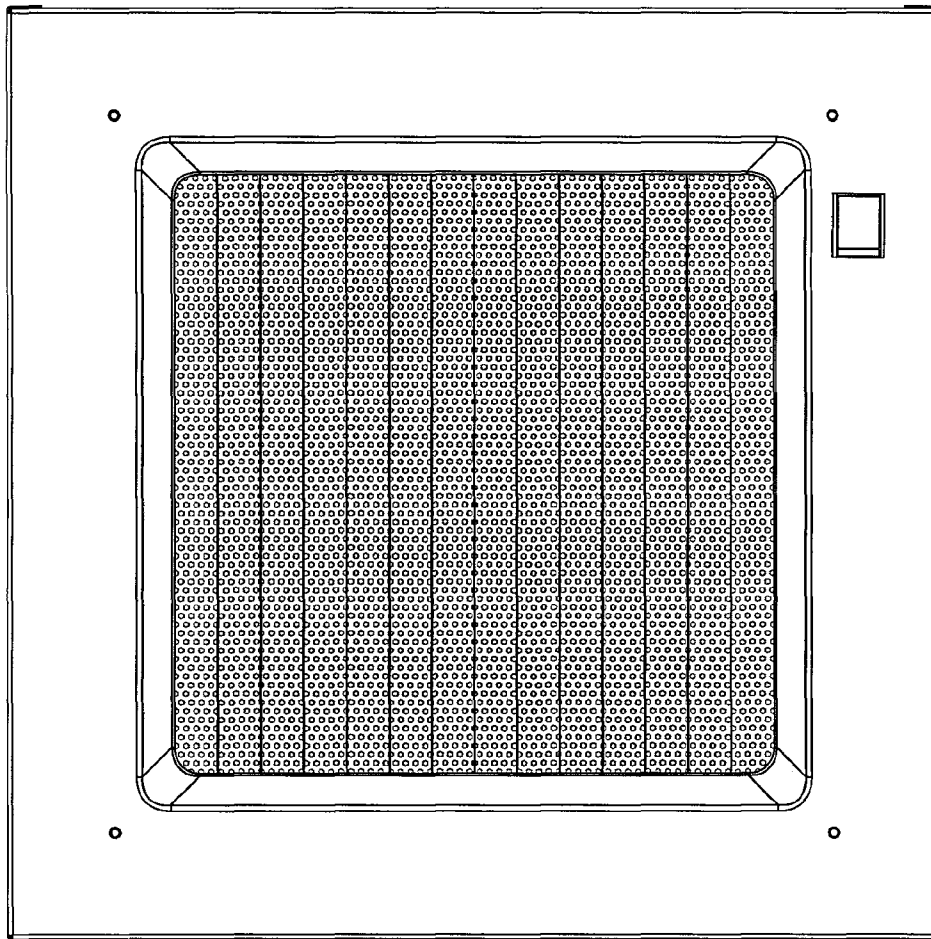


Fig. 6

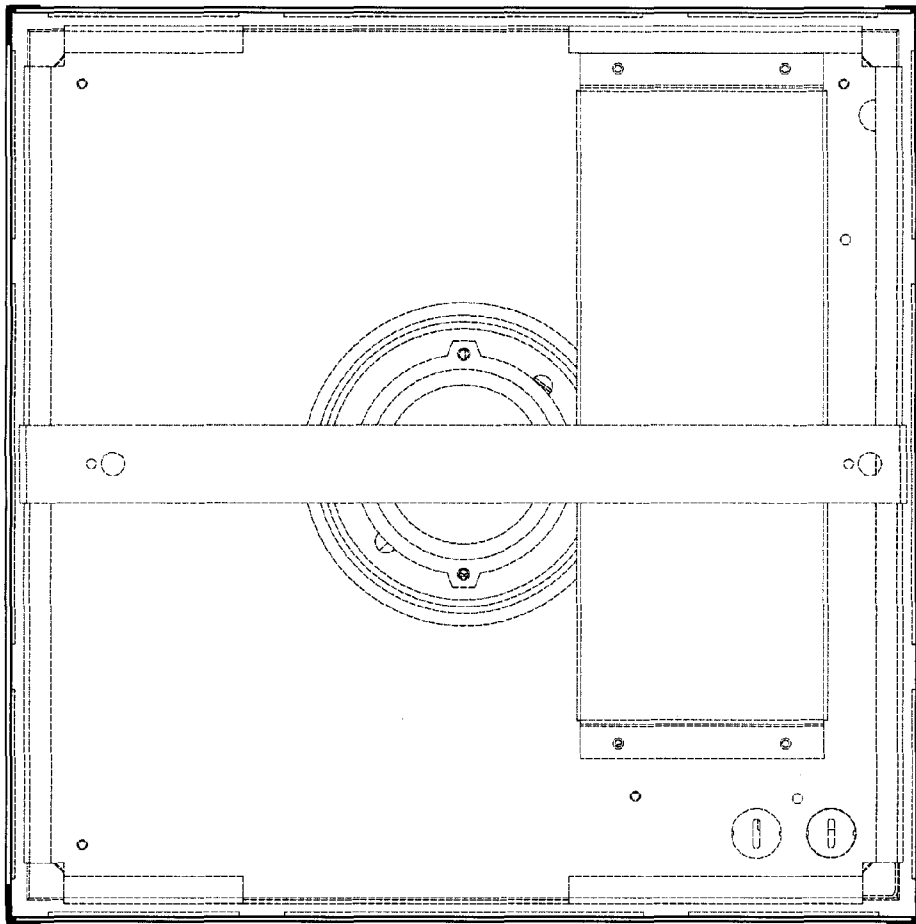


Fig. 7