



US00D856131S

(12) **United States Design Patent** (10) **Patent No.:** **US D856,131 S**
Hon (45) **Date of Patent:** **** Aug. 13, 2019**

- (54) **BOX CONTAINER WITH SLIDING INNER BOX**
- (71) Applicant: **PPDJ Holdings, LLC**, Tustin, CA (US)
- (72) Inventor: **Phil Hon**, Tustin, CA (US)
- (73) Assignee: **Rove, LLC**, Costa Mesa, CA (US)
- (**) Term: **15 Years**
- (21) Appl. No.: **29/593,440**
- (22) Filed: **Feb. 8, 2017**
- (51) **LOC (12) Cl.** **09-03**
- (52) **U.S. Cl.**
- USPC **D9/418**; D9/432
- (58) **Field of Classification Search**
- USPC D9/414, 418, 430, 432, 433; D3/201, D3/203.6, 205, 203.1, 232, 259, 260, 273, (Continued)

(56) **References Cited**

U.S. PATENT DOCUMENTS

- D269,053 S * 5/1983 Castelli D3/284
 - D269,361 S * 6/1983 Marschak D3/302
- (Continued)

OTHER PUBLICATIONS

Instagram, user @rovebrand, Selected post taken from dates Jan. 28, 2017 and Jun. 17, 2016. (<https://www.instagram.com/rovebrand/>) (Year: 2016).*

Primary Examiner — Jennifer Rivard
Assistant Examiner — April Rivas
(74) *Attorney, Agent, or Firm* — Kwan & Olynick LLP

(57) **CLAIM**

The ornamental design for a box container with sliding inner box, as shown and described.

DESCRIPTION

FIG. 1 is a perspective view of a box container with inner box showing back, top, and right sides;

FIG. 2 is a perspective view of the box container with inner box sliding out showing back, top, and right sides;
 FIG. 3 is a perspective view of the box container with inner box showing back, bottom, and right sides;
 FIG. 4 is a perspective view of the box container with inner box sliding out showing back, bottom, and right sides;
 FIG. 5 is a perspective view of the box container with inner box showing front, top, and left sides;
 FIG. 6 is a perspective view of the box container with inner box sliding out showing front, top, and left sides;
 FIG. 7 is a perspective view of the box container with inner box showing front, bottom, and left sides;
 FIG. 8 is a perspective view of the box container with inner box sliding out showing front, bottom, and left sides;
 FIG. 9 is a perspective view of the box container with inner box showing front, top, and right sides;
 FIG. 10 is a perspective view of the box container with inner box sliding out showing front, top, and right sides;
 FIG. 11 is a perspective view of the box container with inner box showing front, bottom, and right sides;
 FIG. 12 is a perspective view of the box container with inner box sliding out showing front, bottom, and right sides;
 FIG. 13 is a perspective view of the box container with inner box showing back, top, and left sides;
 FIG. 14 is a perspective view of the box container with inner box sliding out showing back, top, and left sides;
 FIG. 15 is a perspective view of the box container with inner box showing back, bottom, and left sides;
 FIG. 16 is a perspective view of the box container with inner box sliding out showing back, bottom, and left sides;
 FIG. 17 is a top view of the box container with inner box;
 FIG. 18 is a top view of the box container with inner box sliding out;
 FIG. 19 is a bottom view of the box container with inner box;
 FIG. 20 is a bottom view of the box container with inner box sliding out;
 FIG. 21 is a front view of the box container with inner box;
 FIG. 22 is a front view of the box container with inner box sliding out;
 FIG. 23 is a rear view of the box container with inner box;
 FIG. 24 is a rear view of the box container with inner box sliding out;

(Continued)

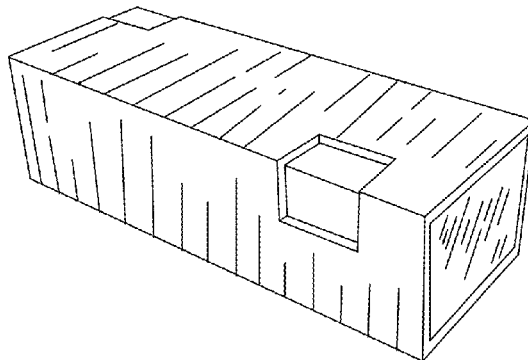


FIG. 25 is a left side view of the box container with inner box;

FIG. 26 is a left side view of the box container with inner box sliding out;

FIG. 27 is a right side view of the box container with inner box; and,

FIG. 28 is a right side view of the box container with inner box sliding out.

The dashed broken lines of FIGS. 2, 6, 10, 14, and 18 illustrate elements of the box container with sliding inner box that form no part of the claimed design.

1 Claim, 13 Drawing Sheets

(58) **Field of Classification Search**

USPC D3/272, 276, 279, 282, 284, 302, 294, D3/900, 905, 904

CPC B25H 3/00; B25H 3/02; A45C 5/00; A45C 5/04; A45C 5/08; A45C 2011/007; A45C 11/00

See application file for complete search history.

(56)

References Cited

U.S. PATENT DOCUMENTS

6,059,180	A	*	5/2000	Collins	B65D 5/5016 206/591
D495,248	S	*	8/2004	Krebs	D3/302
D539,138	S	*	3/2007	Mittelstaedt	D3/294
D570,210	S	*	6/2008	McGrath	D9/418
D604,602	S	*	11/2009	Kohno	D9/418
D702,546	S	*	4/2014	McAdam	D9/418
D709,363	S	*	7/2014	Boehnen	D9/418
D740,026	S	*	10/2015	Yamamoto	D3/297
D740,654	S	*	10/2015	Boehnen	D9/418
D774,890	S	*	12/2016	Mongeon	D9/418
D792,208	S	*	7/2017	Borkovetz	D9/418

* cited by examiner

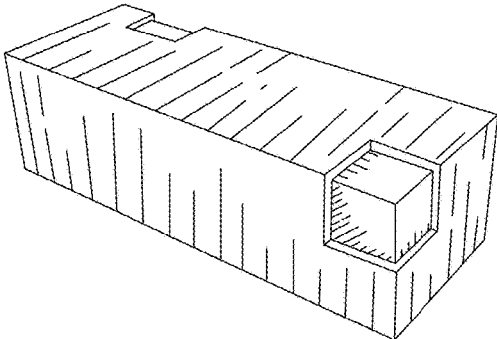


FIG. 1

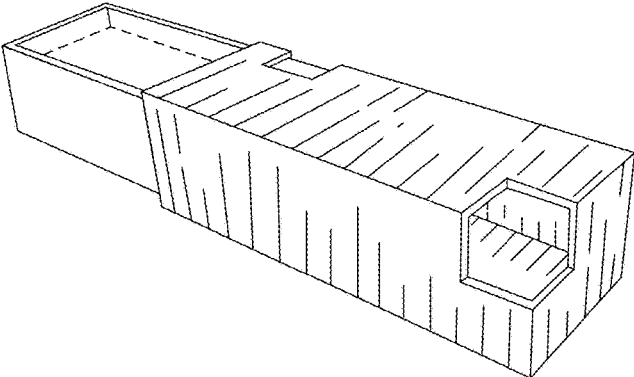


FIG. 2

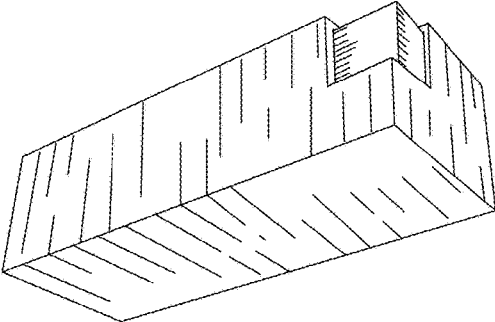


FIG. 3

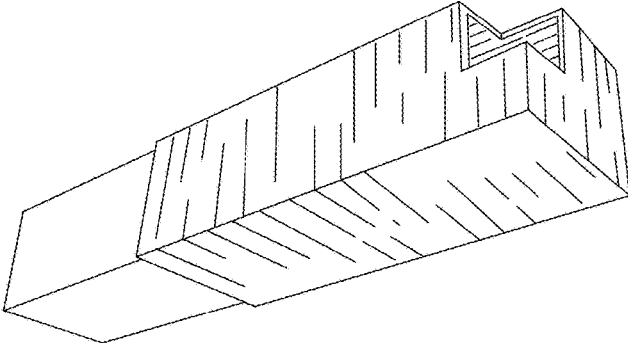


FIG. 4

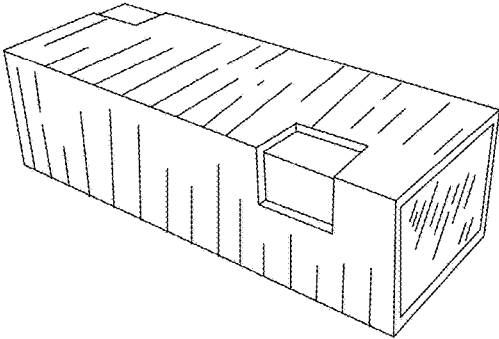


FIG. 5

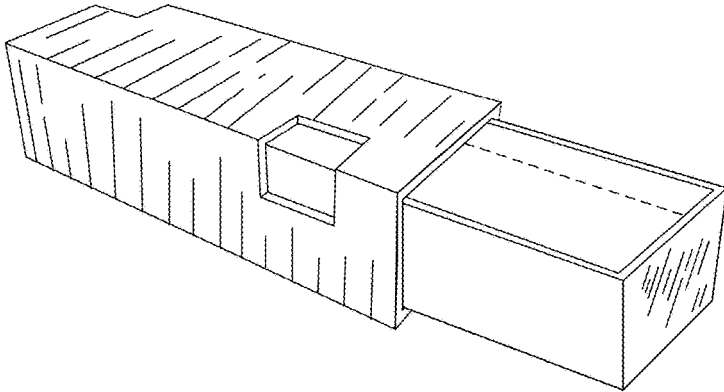


FIG. 6

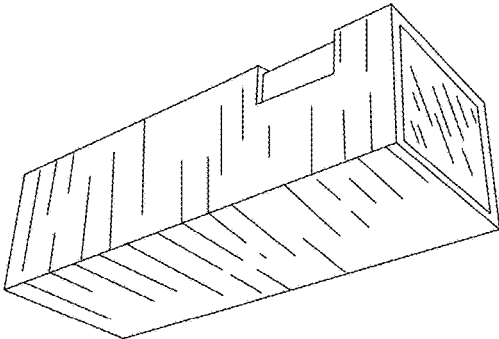


FIG. 7

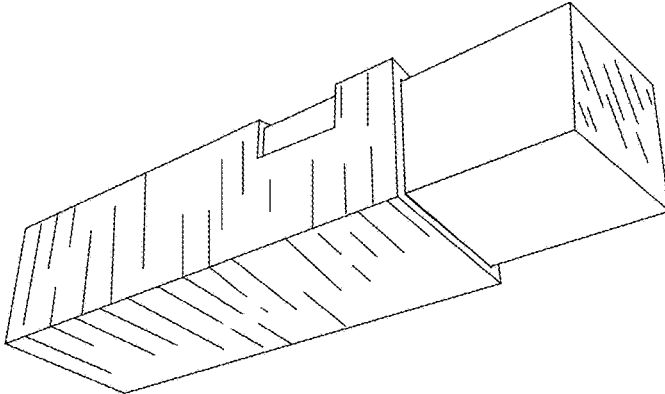


FIG. 8

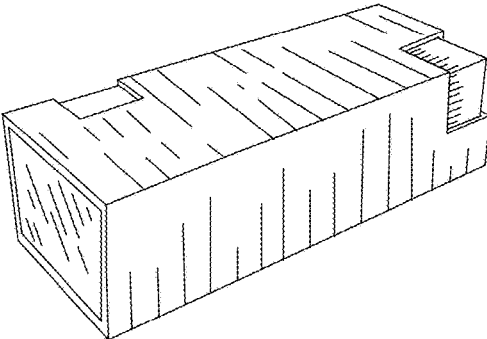


FIG. 9

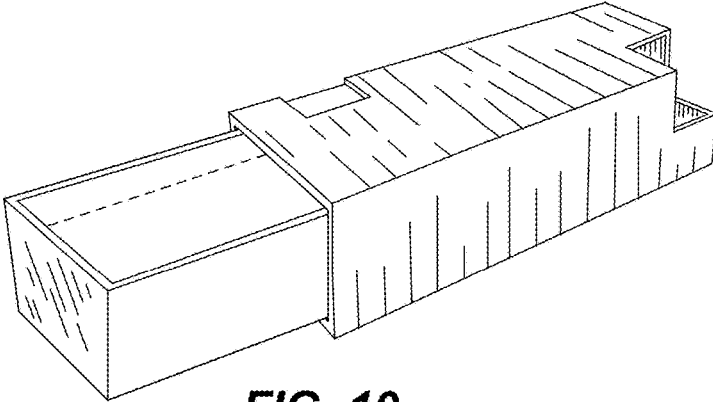


FIG. 10

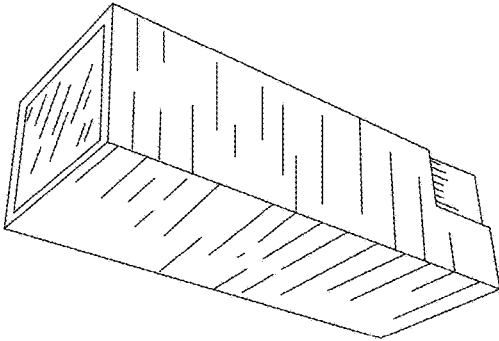


FIG. 11

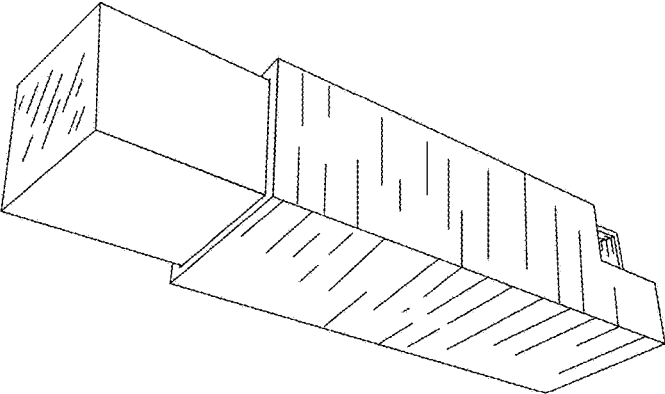


FIG. 12

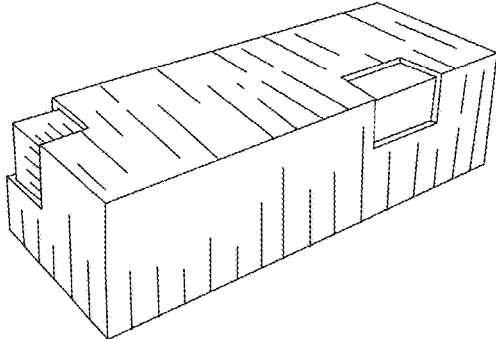


FIG. 13

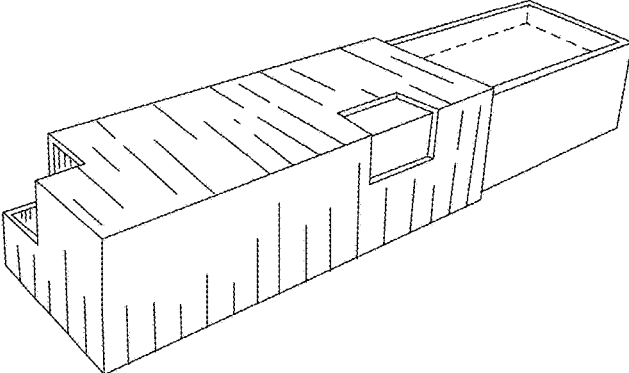


FIG. 14

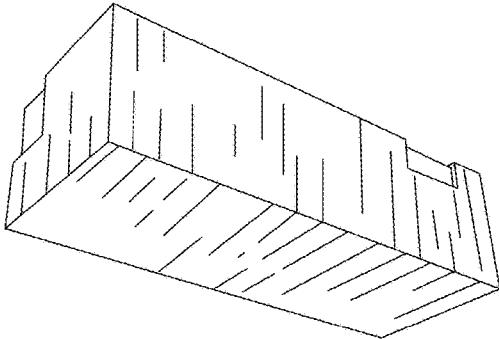


FIG. 15

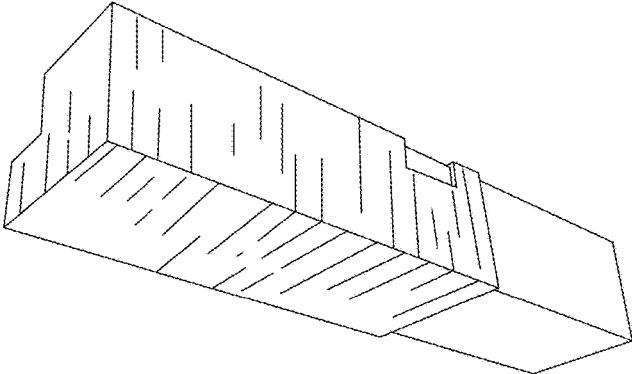


FIG. 16

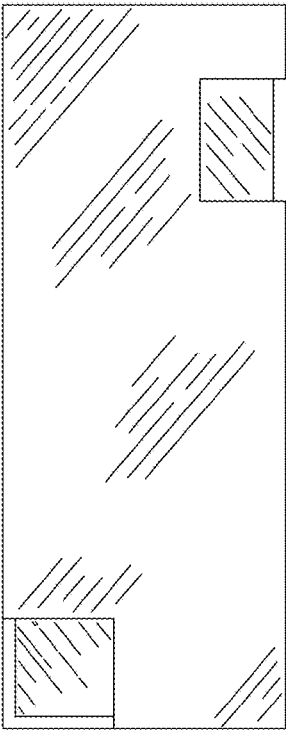


FIG. 17

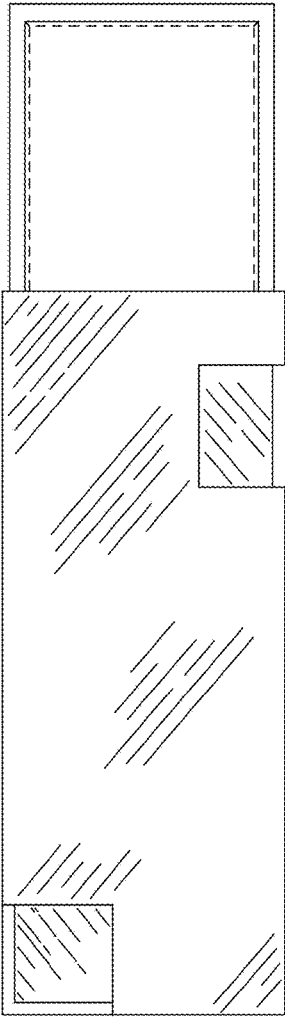


FIG. 18

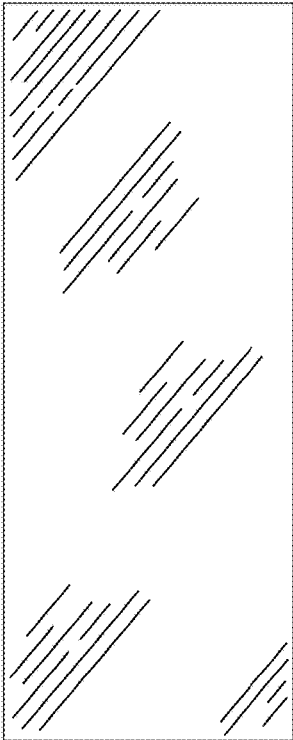


FIG. 19

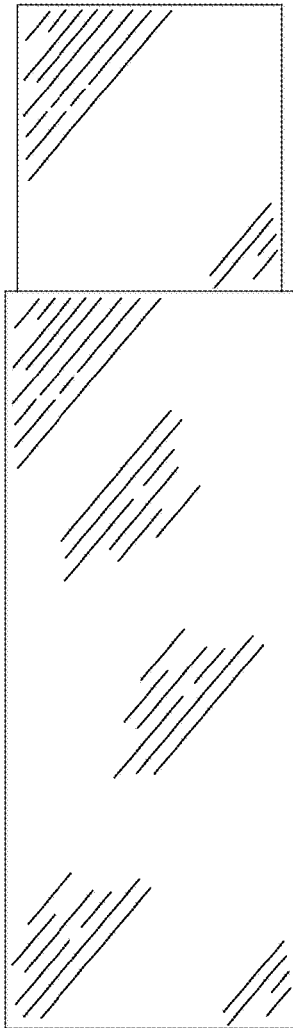


FIG. 20

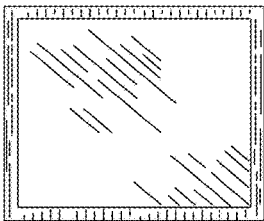


FIG. 21

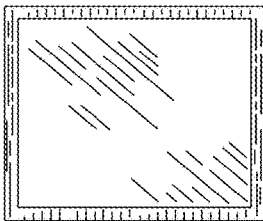


FIG. 22

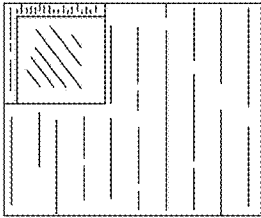


FIG. 23

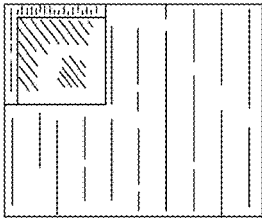


FIG. 24

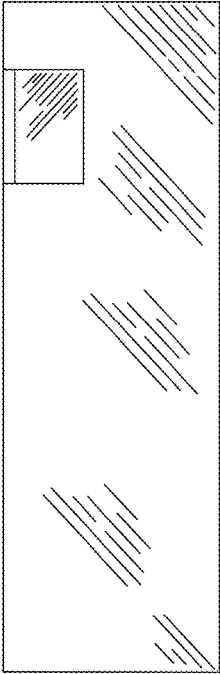


FIG. 25

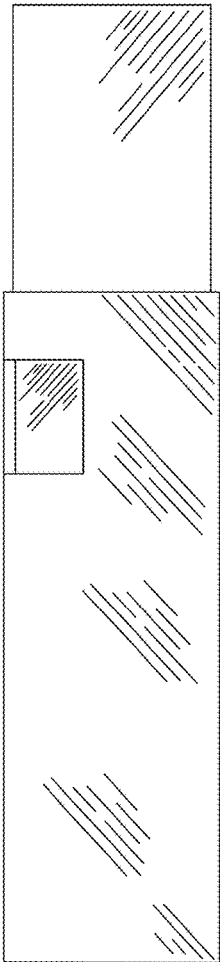


FIG. 26

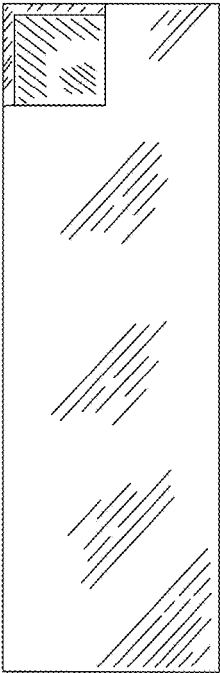


FIG. 27

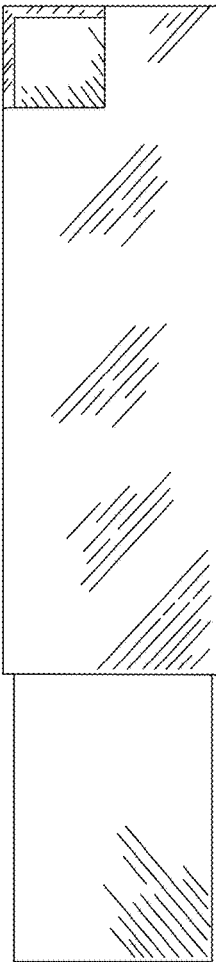


FIG. 28