



US00D720344S

(12) **United States Design Patent**
Yu

(10) **Patent No.:** **US D720,344 S**

(45) **Date of Patent:** **** Dec. 30, 2014**

(54) **HANDLE FOR TAKING PHOTOS WITH CELL PHONE**

(71) Applicant: **Looq System Inc.**, Santa Clara, CA (US)

(72) Inventor: **Woody Yu**, Santa Clara, CA (US)

(73) Assignee: **Looq System Inc.**, Santa Clara, CA (US)

(**) Term: **14 Years**

(21) Appl. No.: **29/472,994**

(22) Filed: **Nov. 18, 2013**

(51) **LOC (10) Cl.** **14-03**

(52) **U.S. Cl.**
USPC **D14/253**

(58) **Field of Classification Search**
USPC D14/208, 209.1, 217, 238.1, 243,
D14/250-253, 434, 440, 447, 496,
D14/203.3-203.7, 248, 240, 341-347;
D3/201, 215, 218, 226, 269, 273, 301,
D3/303; D19/90; D6/553; 455/575.1,
455/575.8; 206/305, 320; 320/108, 115;
429/96; 220/4.02; 150/165;
361/679.56, 679.3, 679.25, 816;
379/426, 446, 455, 433.1; 248/309.1,
248/371, 176.3, 668; 224/411; D12/223,
D12/407, 415; D13/102, 108; D9/414-420;
D16/242-244

See application file for complete search history.

(56) **References Cited**

U.S. PATENT DOCUMENTS

D257,259	S	*	10/1980	Shiraishi	D16/244
D382,286	S	*	8/1997	Doran	D16/242
D386,510	S	*	11/1997	Peterson	D16/244
D391,265	S	*	2/1998	Richter	D14/253
5,768,645	A	*	6/1998	Kessler	396/376
D411,544	S	*	6/1999	Richter	D14/253
D419,415	S	*	1/2000	Richter	D8/71
8,028,963	B2	*	10/2011	Speggiorin	248/177.1
D658,651	S	*	5/2012	Lee et al.	D14/452
D670,284	S	*	11/2012	Choi	D14/253
D678,387	S	*	3/2013	Stump et al.	D16/244
D700,175	S	*	2/2014	Ohm	D14/253
2008/0207276	A1	*	8/2008	Burrell	455/573
2010/0200710	A1	*	8/2010	Shenouda	248/157
2013/0168275	A1	*	7/2013	Hennessey	206/320

* cited by examiner

Primary Examiner — Susan Bennett Hattan
Assistant Examiner — Janice Hallmark
(74) *Attorney, Agent, or Firm* — Sughrue Mion, PLLC

(57) **CLAIM**
The ornamental design for a handle for taking photos with cell phone, as shown and described.

DESCRIPTION

FIG. 1 is a top view of the handle for taking photos with cell phone of my new design;
FIG. 2 is a right view thereof;
FIG. 3 is a rear view thereof;
FIG. 4 is a front, right perspective view thereof;
FIG. 5 is a left view thereof;
FIG. 6 is a front view thereof; and,
FIG. 7 is a bottom view thereof.

1 Claim, 7 Drawing Sheets

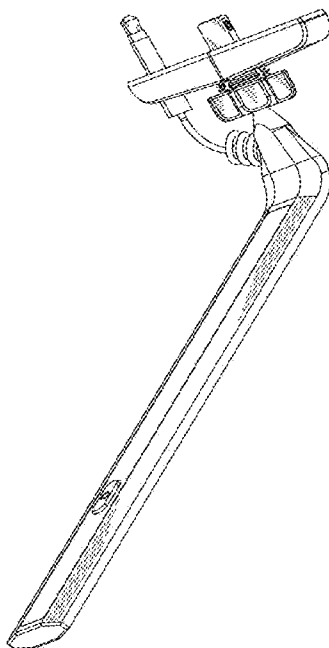


FIG. 1

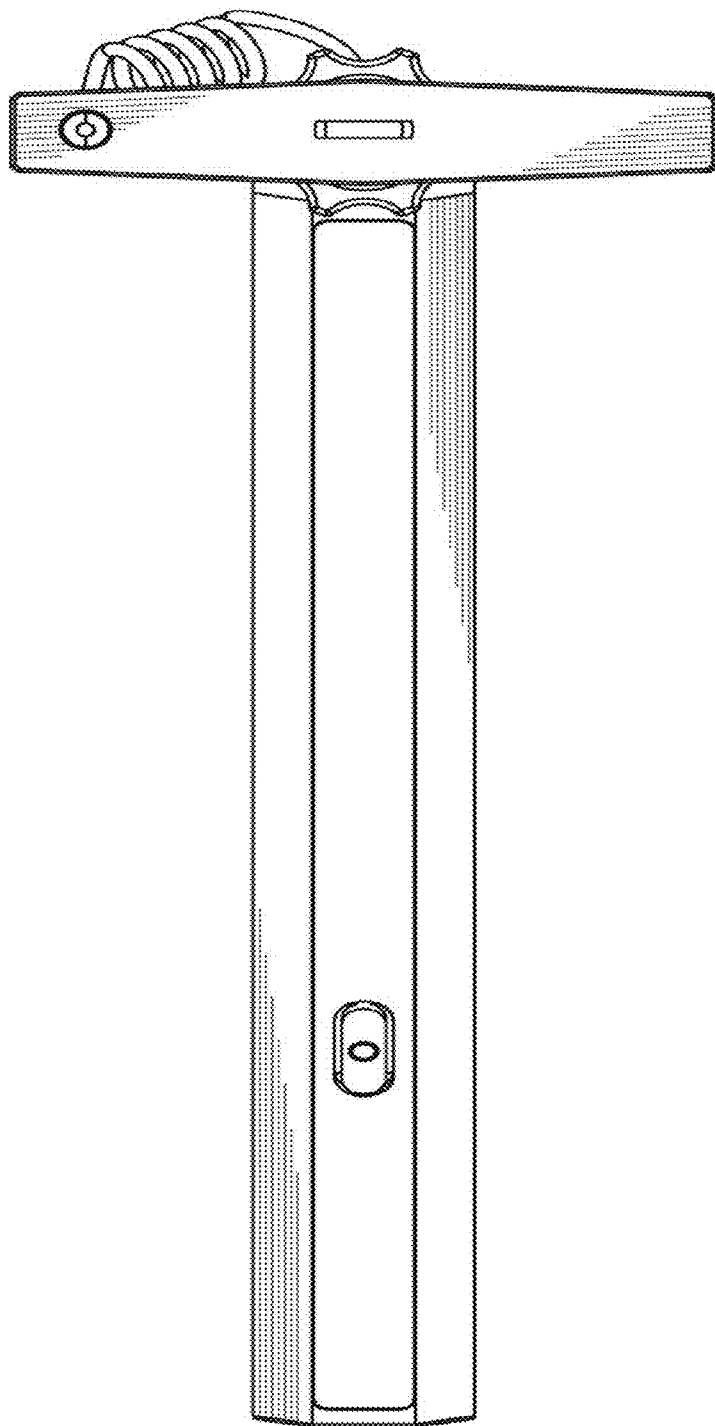


FIG. 2

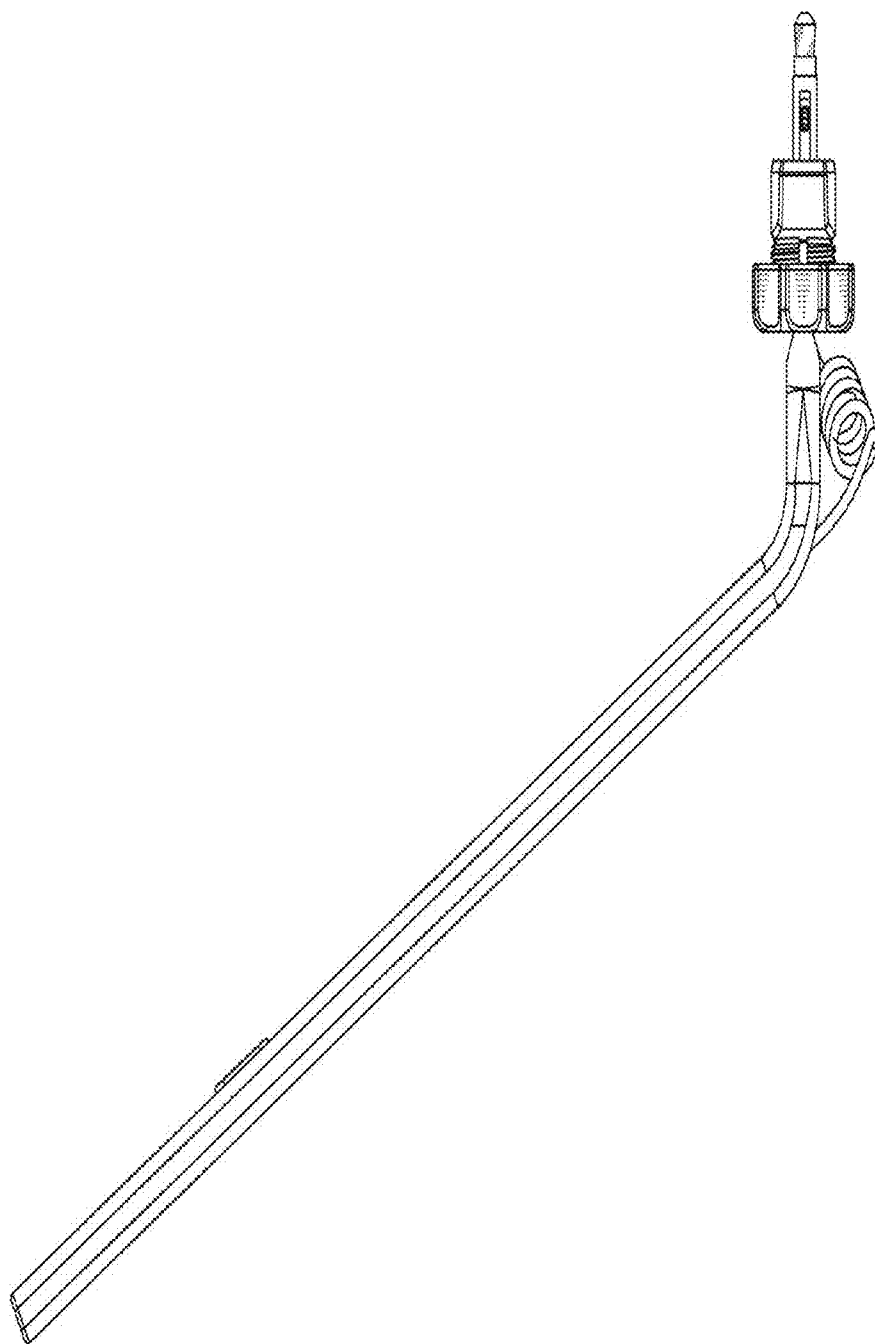


FIG. 3

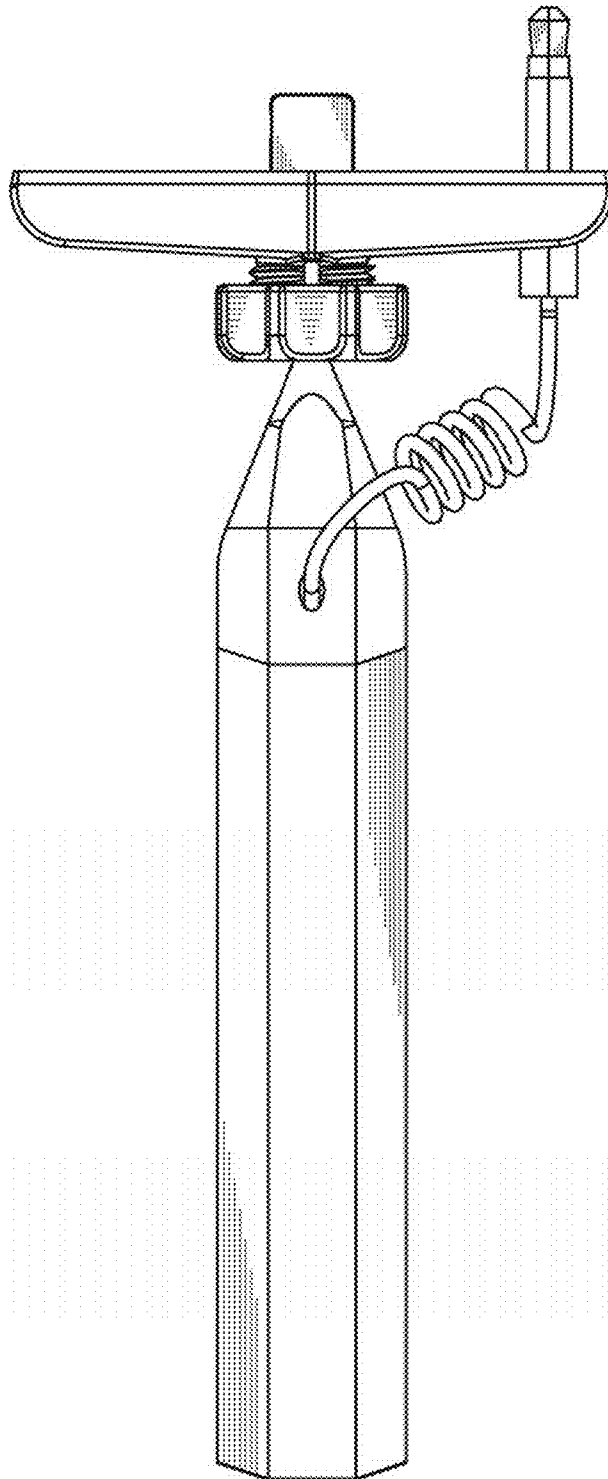


FIG. 4

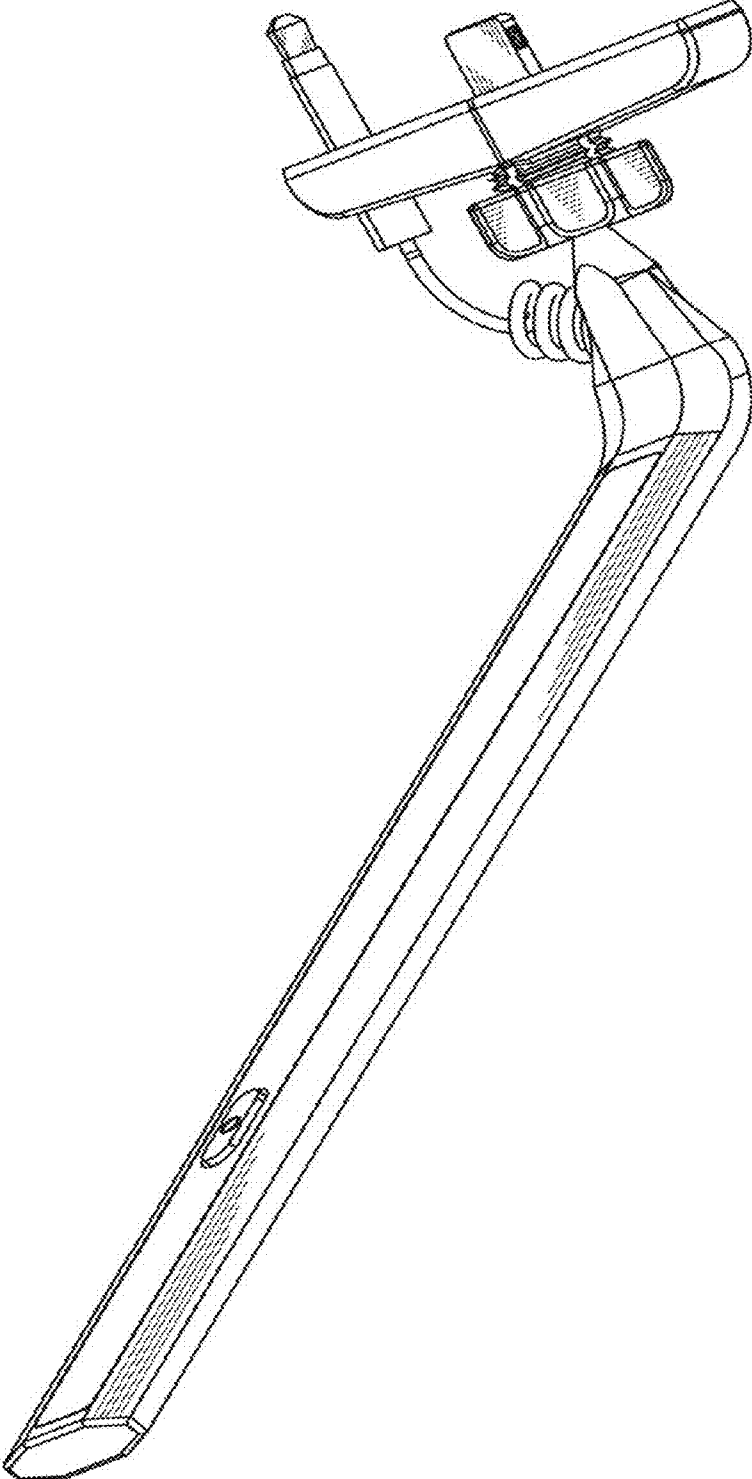


FIG. 5

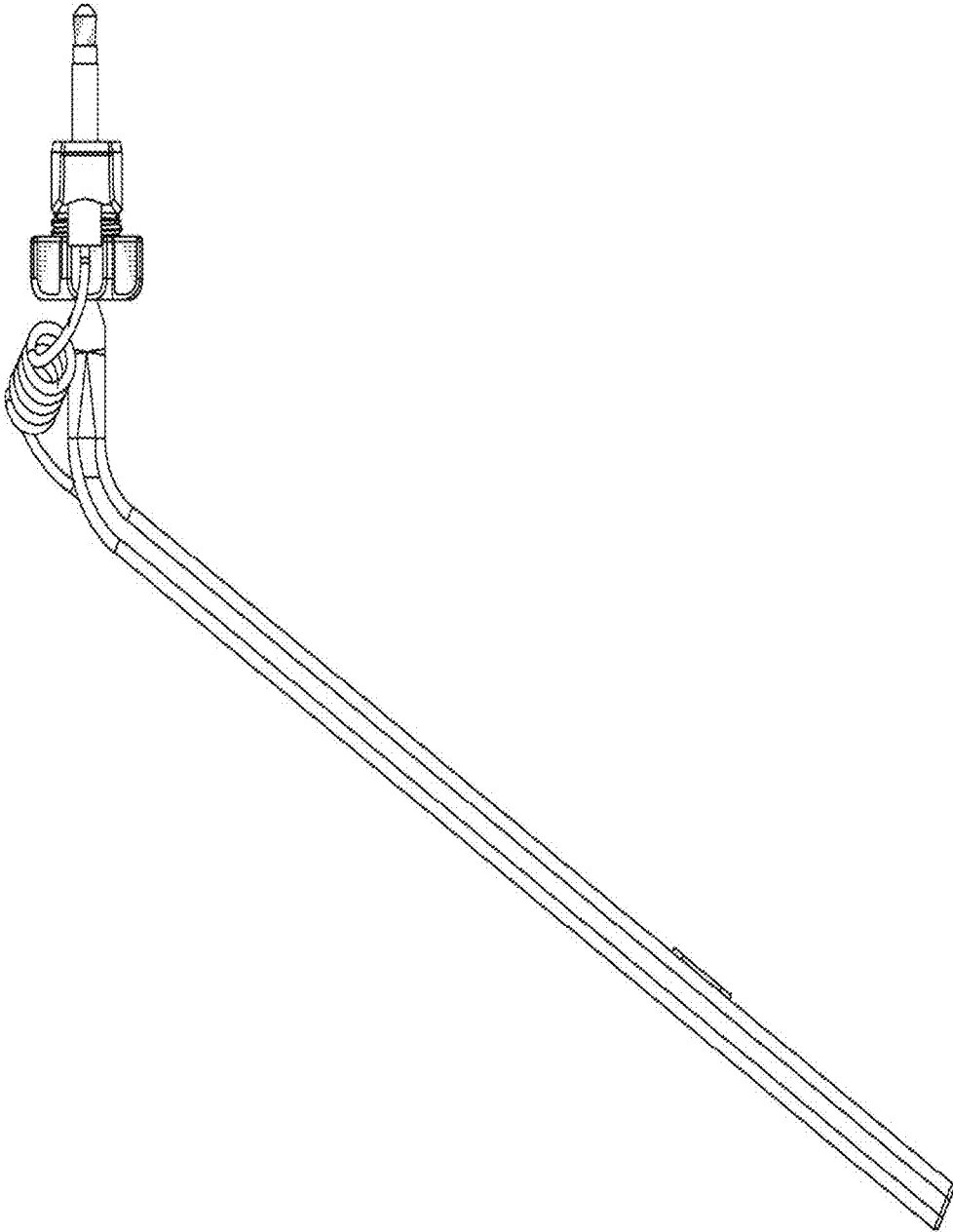


FIG. 6

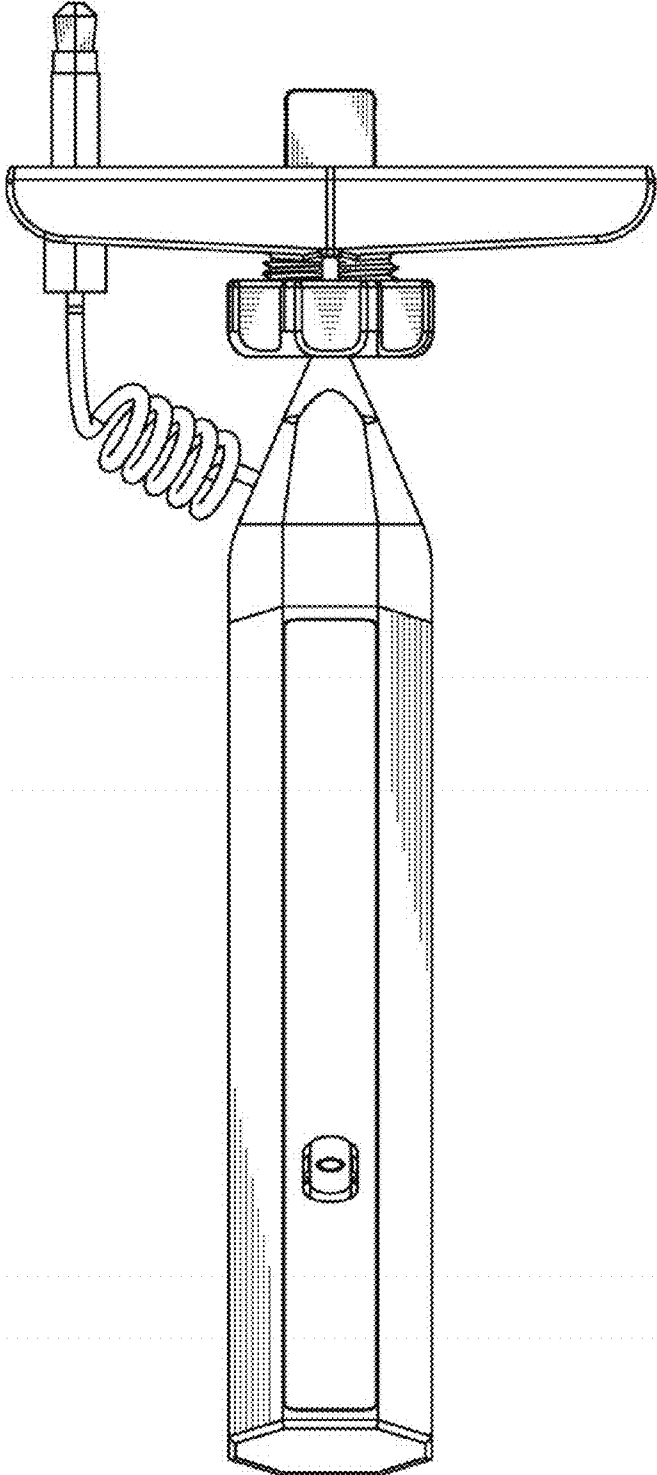


FIG. 7

