

[54] TOY BUILDING BLOCK

[76] Inventor: John F. Lewis, P.O. Box 363, Quebec, Canada, JOP 1J0

[**] Term: 14 Years

[21] Appl. No.: 410,533

[22] Filed: Sep. 21, 1989

[30] Foreign Application Priority Data

Mar. 22, 1989 [CA] Canada 22-03-89-13

[52] U.S. Cl. D21/108

[58] Field of Search D21/108; D25/113, 115, D25/118; 446/102, 104, 105, 106, 107, 108, 109, 111, 112, 113, 114, 115, 116, 117, 120, 121, 122, 124, 125, 128

[56] References Cited

U.S. PATENT DOCUMENTS

D. 239,646 4/1976 Knudsen et al. D21/108

3,221,614 12/1965 Pertien D25/113

Primary Examiner—Charles A. Rademaker

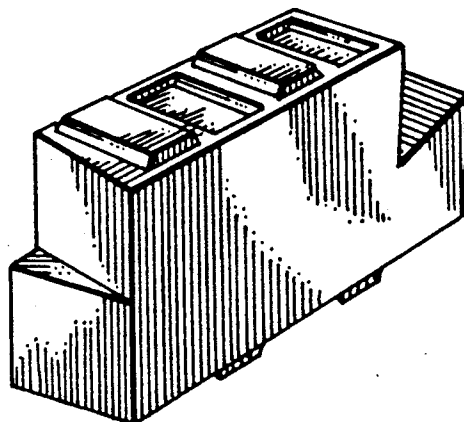
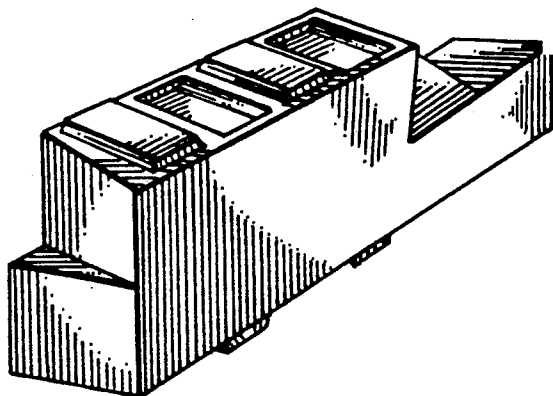
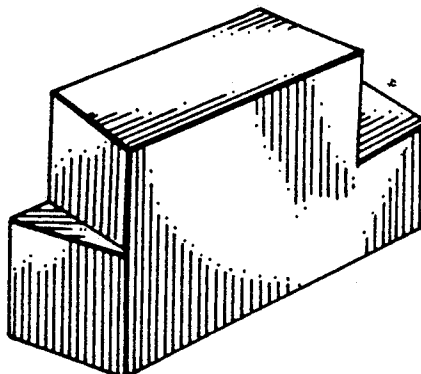
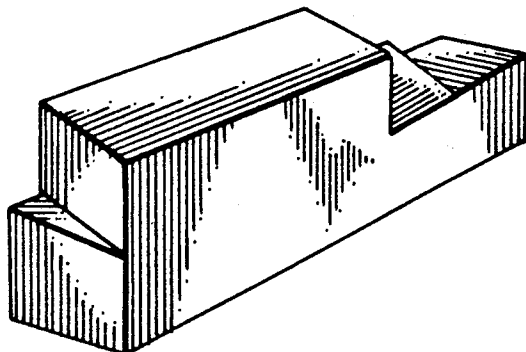
Assistant Examiner—Raphael Barkai
Attorney, Agent, or Firm—Price, Heneveld, Cooper, DeWitt & Litton

[57] CLAIM

The ornamental design for a toy building block, as shown and described.

DESCRIPTION

FIG. 1 is a top perspective view of a toy building block showing my new design;
FIG. 2 is another top perspective view thereof showing the end opposite that of FIG. 1;
FIG. 3 is a bottom perspective view thereof;
FIG. 4 is a top perspective view of a modified embodiment of the design shown in FIGS. 1 through 3;
FIG. 5 is a bottom perspective view thereof;
FIG. 6 is a top perspective view of a second modified embodiment of the design shown in FIGS. 1 through 3;
FIG. 7 is a bottom perspective view thereof;
FIG. 8 is a top perspective view of a third modified embodiment of the design shown in FIGS. 1 through 3; and,
FIG. 9 is a bottom perspective view thereof.



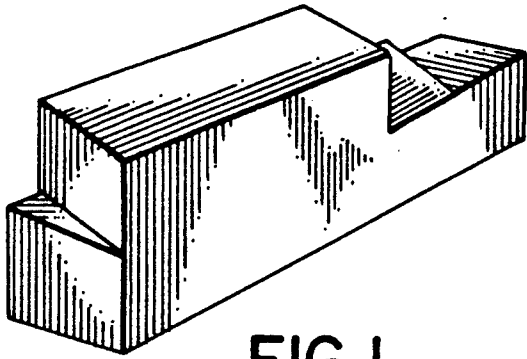


FIG. 1

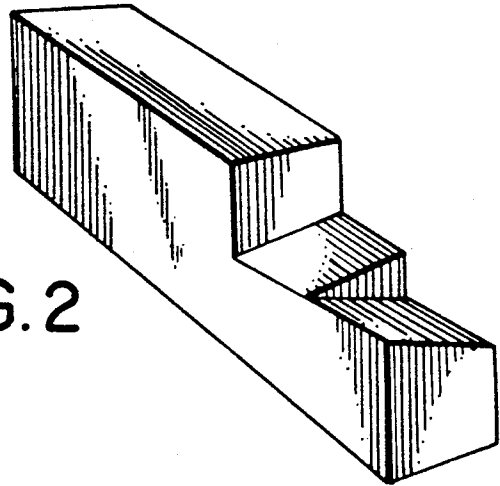


FIG. 2

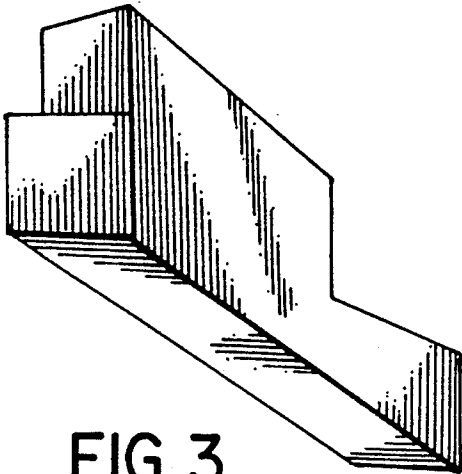


FIG. 3

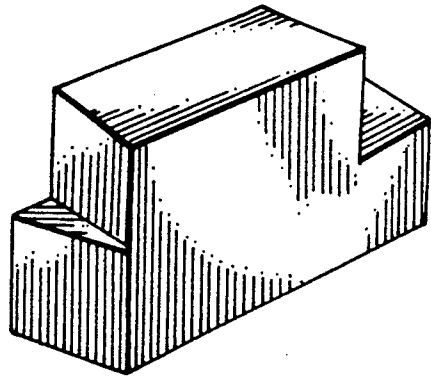


FIG. 4

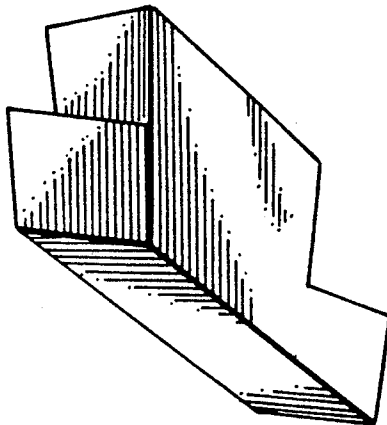


FIG. 5

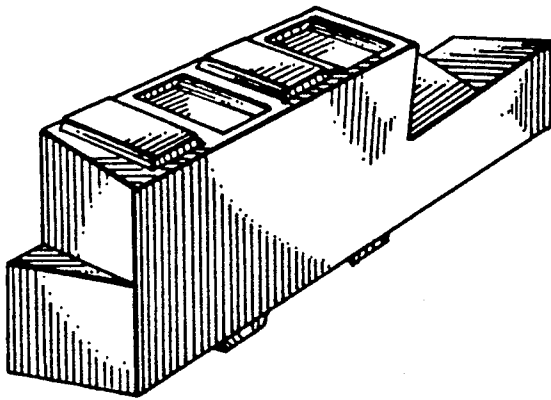


FIG. 6

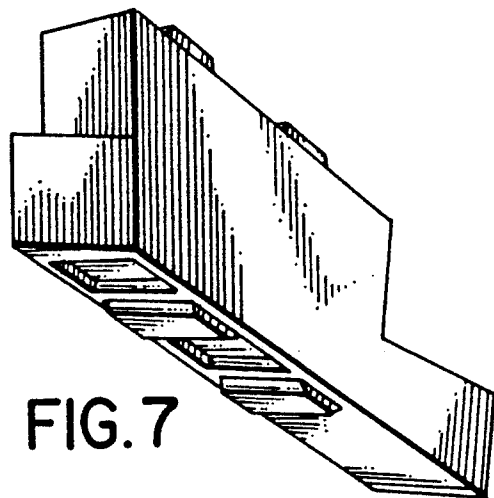


FIG. 7

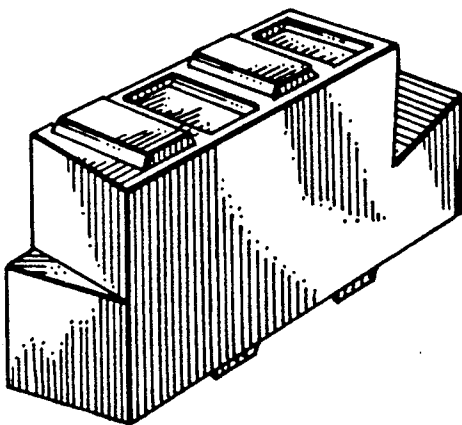


FIG. 8

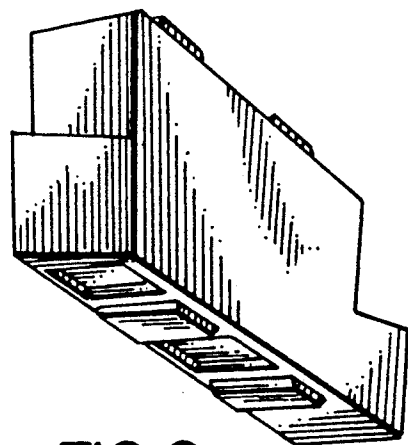


FIG. 9