



US00D528784S

(12) **United States Design Patent**
Beck

(10) **Patent No.:** **US D528,784 S**

(45) **Date of Patent:** **** Sep. 26, 2006**

(54) **AMMUNITION POUCH**

(75) Inventor: **Jason Robert Beck**, Peoria, AZ (US)

(73) Assignee: **Diamondback Tactical LLLP**, Peoria, AZ (US)

(**) Term: **14 Years**

2,557,445 A	6/1951	Lewallen	2/247
2,755,566 A	7/1956	Harrison	36/4
3,331,083 A	7/1967	Holly	2/2.5
3,529,307 A	9/1970	Belson et al.	2/94
3,577,836 A	5/1971	Tamura	2/2.5
3,743,147 A	7/1973	Wilczynski	224/199
3,840,901 A	10/1974	Eyster	2/247

(Continued)

(21) Appl. No.: **29/230,880**

(22) Filed: **May 27, 2005**

(51) **LOC (8) Cl.** **03-01**

(52) **U.S. Cl.** **D3/221; D3/262**

(58) **Field of Classification Search** **D3/221, D3/224, 226, 267-268, 219, 254, 262; 224/931, 224/908; 206/316.1, 316.2**
See application file for complete search history.

FOREIGN PATENT DOCUMENTS

DE	4214543	11/1993
EP	0226265	6/1987
FR	2391446	5/1978

(Continued)

Primary Examiner—Catherine R. Oliver

(74) *Attorney, Agent, or Firm*—Townsend and Townsend and Crew LLP

(56) **References Cited**

U.S. PATENT DOCUMENTS

264,195 A	9/1882	Quinn, Jr.	2/126
562,608 A	6/1896	Herberlin	2/24
761,113 A	5/1904	Van Wagoner et al.	24/581.1
842,498 A	1/1907	Schmidt	24/578.1
921,352 A	5/1909	Blakers et al.	2/2.5
1,044,494 A	11/1912	Clarke	2/23
1,210,407 A	1/1917	Boucher	2/2.5
1,246,274 A	11/1917	Jetalian	2/2.5
1,256,422 A	2/1918	Anderson	2/2.5
1,269,019 A	6/1918	Szmyt	2/2.5
1,310,125 A	7/1919	Lundberg et al.	2/247
1,348,204 A	8/1920	Brewster	2/2.5
1,350,062 A	8/1920	Brewster	2/2.5
1,655,895 A	1/1928	Davis	2/247
1,758,296 A	5/1930	Schaumann	428/47
1,764,483 A	6/1930	Watkins	2/247
1,772,922 A	8/1930	Volz	2/22
1,968,767 A	7/1934	Howard	224/674
2,099,431 A	11/1937	Reeb	2/126
2,266,886 A	12/1941	McCoy	2/22
2,343,142 A	2/1944	Freedman	24/713.1
2,448,416 A	8/1948	Carter	2/94

(57) **CLAIM**

The ornamental design for an ammunition pouch, as shown and described.

DESCRIPTION

FIG. 1 is a perspective view of an ammunition pouch showing my new ornamental design; FIG. 2 is a front view of the pouch shown in FIG. 1; FIG. 3 is a rear view of the pouch shown in FIG. 1; FIG. 4 is a right side view of the pouch shown in FIG. 1; FIG. 5 is a left side view of the pouch shown in FIG. 1; FIG. 6 is a top view of the pouch shown in FIG. 1; FIG. 7 is a bottom view of the pouch shown in FIG. 1; FIG. 8 is a perspective view with the overlapping flap disposed in a closed position; FIG. 9 is a front view of the pouch shown in FIG. 8; and, FIG. 10 is a rear view of the pouch shown in FIG. 8. The broken line showing of environment in the drawings is for illustrative purposes only and forms no part of the claimed design.

1 Claim, 6 Drawing Sheets



U.S. PATENT DOCUMENTS

3,957,183	A	5/1976	Gadberry	224/628
4,106,121	A	8/1978	Belson	2/102
4,180,261	A	12/1979	Kolka	482/105
4,194,656	A	3/1980	Zufich	224/631
D257,906	S *	1/1981	Weinreb	D3/268
4,266,300	A	5/1981	Partridge	2/2.5
4,287,607	A	9/1981	Leach	2/2.5
4,307,826	A	12/1981	Stewart	224/253
4,318,502	A	3/1982	Lowe et al.	224/153
4,497,069	A	2/1985	Braunhut	2/2.5
4,507,882	A	4/1985	Harrell	36/136
4,584,228	A	4/1986	Droste	482/182
4,605,335	A	8/1986	Otrusina	403/348
4,645,465	A	2/1987	Courtney	441/40
4,651,355	A	3/1987	White	2/247
D293,506	S *	1/1988	Kappel et al.	D3/268
4,923,105	A	5/1990	Snyder	224/255
4,973,277	A	11/1990	Khanamirian	441/88
4,999,850	A	3/1991	Grilliot et al.	2/126
5,014,359	A	5/1991	Hanson	2/94
5,016,794	A	5/1991	Beagle, Jr.	224/629
5,023,953	A	6/1991	Bettcher	2/26
5,025,965	A	6/1991	Smith	224/151
5,052,647	A	10/1991	Axelson et al.	248/231
5,054,127	A	10/1991	Zevchak	2/247
5,060,314	A	10/1991	Lewis	2/2.5
5,063,127	A	11/1991	Oka et al.	430/45
5,063,614	A	11/1991	McSheffery	2/94
5,072,453	A	12/1991	Widder	2/2.5
5,090,053	A	2/1992	Hayes	2/2.5
5,184,763	A	2/1993	Blaisdell et al.	224/153
5,201,448	A	4/1993	Schue	224/253
5,201,867	A *	4/1993	Morszeck	206/316.2
5,215,379	A	6/1993	Pickard et al.	383/37
5,247,707	A	9/1993	Parker et al.	2/102
5,259,093	A	11/1993	D'Annunzio	24/3.9
5,327,811	A	7/1994	Price et al.	89/36.05
5,349,893	A	9/1994	Dunn	89/36.05
5,421,032	A	6/1995	Murphy	2/67
5,465,425	A	11/1995	Crispin	2/102
5,471,906	A	12/1995	Bachner, Jr. et al.	89/36.05
5,512,348	A	4/1996	Mazelsky	428/102
5,534,343	A	7/1996	Landi et al.	428/313.5
5,589,254	A	12/1996	Dischler	428/221
5,604,958	A	2/1997	Anscher	24/3.1
5,609,278	A	3/1997	Fresco	224/153
5,617,984	A	4/1997	Fabel	224/164
5,626,270	A	5/1997	Tseng	22/148.7
5,628,064	A	5/1997	Chung	2/70
5,639,005	A	6/1997	Chouinard	224/580
5,724,707	A	3/1998	Kirk et al.	24/3.7
5,754,982	A	5/1998	Gainer	2/2.5
5,765,738	A	6/1998	Hoffner	224/661
5,806,741	A	9/1998	Kirk	224/634
5,875,944	A	3/1999	Beletsky	224/198
5,903,920	A	5/1999	Granqvist	2/195.1
5,918,309	A	7/1999	Bachner, Jr.	2/2.5
5,987,650	A	11/1999	Carroll	2/244
5,991,925	A	11/1999	Wu	2/102
6,012,162	A	1/2000	Bullat	2/2.5
6,103,641	A	8/2000	Gehring, Jr.	442/46
6,138,277	A	10/2000	Gillen et al.	2/102
6,161,222	A	12/2000	Strickland et al.	2/228
6,161,741	A	12/2000	French	224/198

6,164,048	A	12/2000	Rhodes	54/1
6,233,737	B1	5/2001	Ditchfield	2/2.5
6,233,740	B1	5/2001	Meyers et al.	2/102
6,264,079	B1	7/2001	Skaggs	224/193
6,266,818	B1	7/2001	Howland et al.	2/2.5
6,279,804	B1	8/2001	Gregg	224/675
6,319,862	B1	11/2001	Czetto, Jr.	442/135
D455,548	S	4/2002	Cragg	D3/224
6,431,420	B1	8/2002	Cragg	224/223
6,449,769	B1	9/2002	Bachner, Jr.	2/2.5
6,453,791	B1	9/2002	Seitzinger	89/36.05
6,516,981	B1	2/2003	Perez et al.	224/148.6
6,519,775	B1	2/2003	Garcia	2/22
D473,051	S *	4/2003	Hassett	D3/267
6,543,055	B1	4/2003	Howland et al.	2/2.5
6,547,118	B1	4/2003	Beletsky et al.	224/661
6,588,640	B1	7/2003	Rogers et al.	224/673
6,627,562	B1	9/2003	Gehring, Jr.	442/35
6,634,531	B1	10/2003	Conte	224/407
6,685,066	B1	2/2004	Cragg	224/192
6,691,906	B1	2/2004	Cragg	224/238
6,698,024	B1	3/2004	Graves et al.	2/2.5
6,703,104	B1	3/2004	Neal	428/118
6,704,934	B1	3/2004	Graham et al.	2/2.5
6,738,984	B1	5/2004	Gillen et al.	2/2.5
D496,143	S	9/2004	Noell et al.	D2/627
D500,807	S	1/2005	Noell et al.	D20/27
D501,592	S	2/2005	Noell et al.	D34/28
D501,989	S	2/2005	Cook et al.	D3/215
D501,991	S	2/2005	Cook et al.	D3/222
6,851,160	B1	2/2005	Carver	24/197
D503,039	S	3/2005	Cook et al.	D3/229
D505,773	S	6/2005	Noell et al.	D2/829
D505,774	S	6/2005	Noell et al.	D2/829
6,907,617	B1	6/2005	Johnson	2/13
2002/0120973	A1	9/2002	D'Annunzio	2/92
2003/0104738	A1	6/2003	Porter	442/134
2003/0141328	A1	7/2003	Cragg	224/192
2004/0016784	A1	1/2004	Berry	224/584
2004/0035900	A1	2/2004	Cragg	224/661
2004/0045428	A1	3/2004	Citerrio	89/36.05
2004/0112932	A1	6/2004	Cragg	224/675
2004/0132368	A1	7/2004	Price et al.	442/247
2004/0026972	A1	11/2004	Cook	224/195
2004/0221361	A1	11/2004	D'Annunzio	2/69
2004/0238571	A1	12/2004	Noell et al.	222/175
2005/0005342	A1	1/2005	Johnson	2/102
2005/0005343	A1	1/2005	Johnson	2/102

FOREIGN PATENT DOCUMENTS

FR	2699265	12/1992
GB	425066	3/1935
JP	3019650	11/1995
JP	136190	5/1996
JP	2000008208	1/2000
JP	2000193396	7/2000
JP	2000282307	10/2000
JP	2001235299	8/2001
JP	2002173383	11/2003
JP	2003329396	11/2003
WO	WO 92/08094	5/1992
WO	WO 92/13250	8/1992
WO	WO 00/28273	5/2000

* cited by examiner



FIG.1

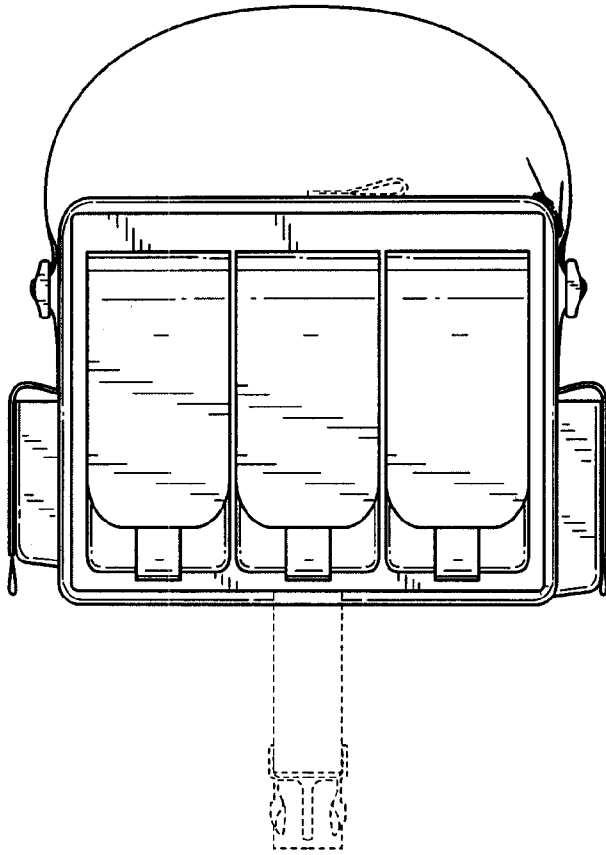


FIG. 2

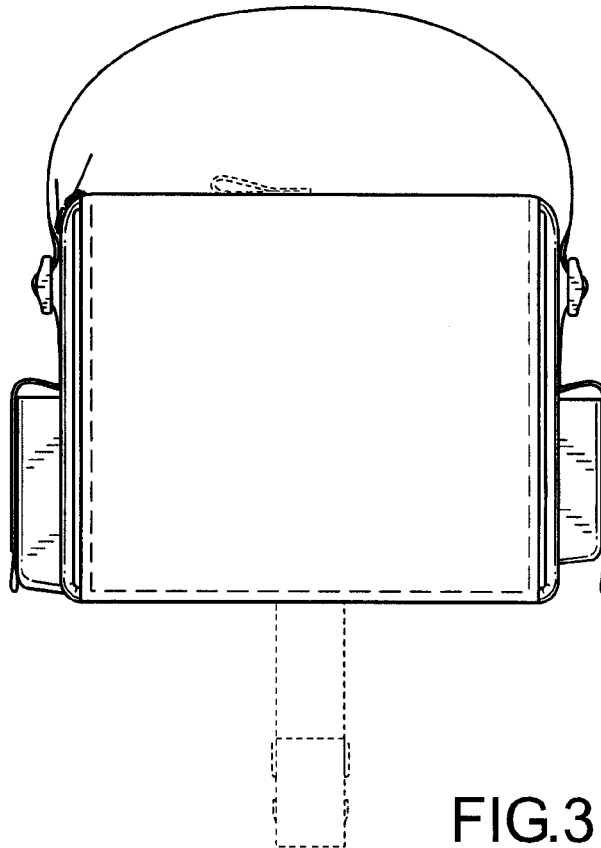


FIG. 3

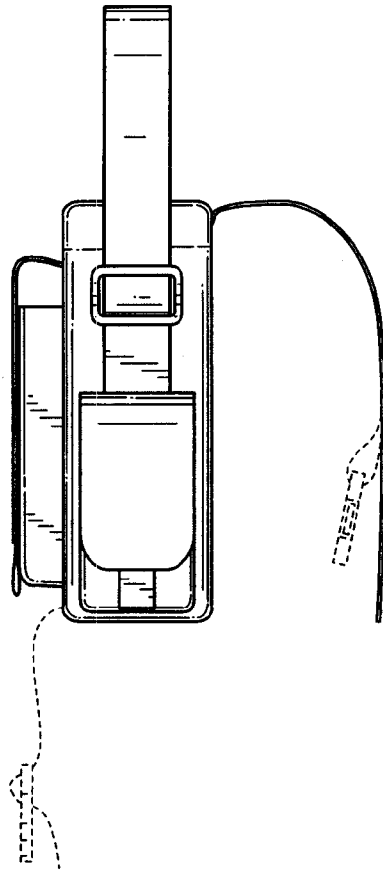


FIG. 4

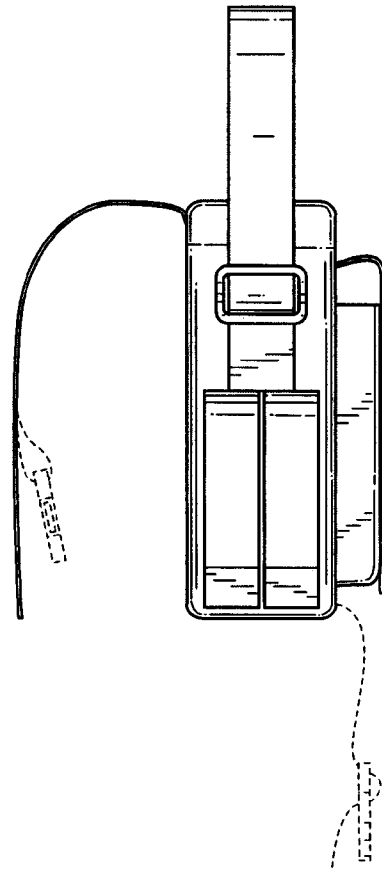


FIG. 5

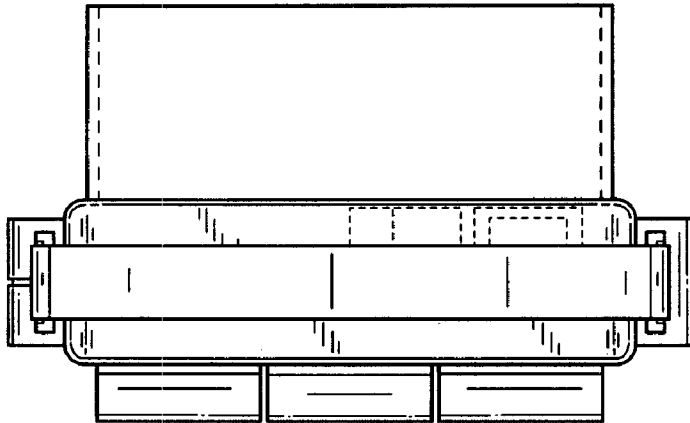


FIG. 6

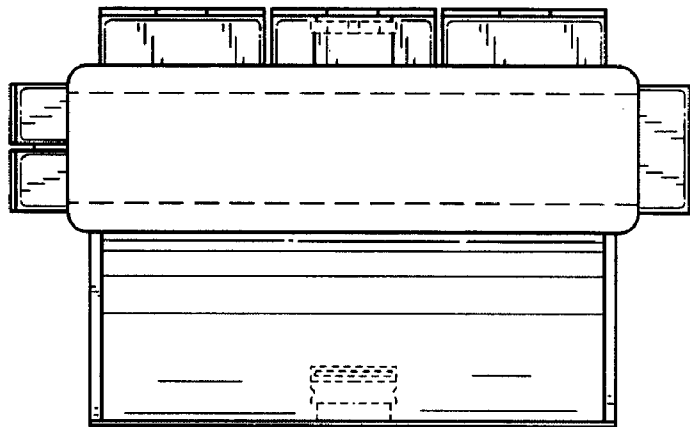


FIG. 7

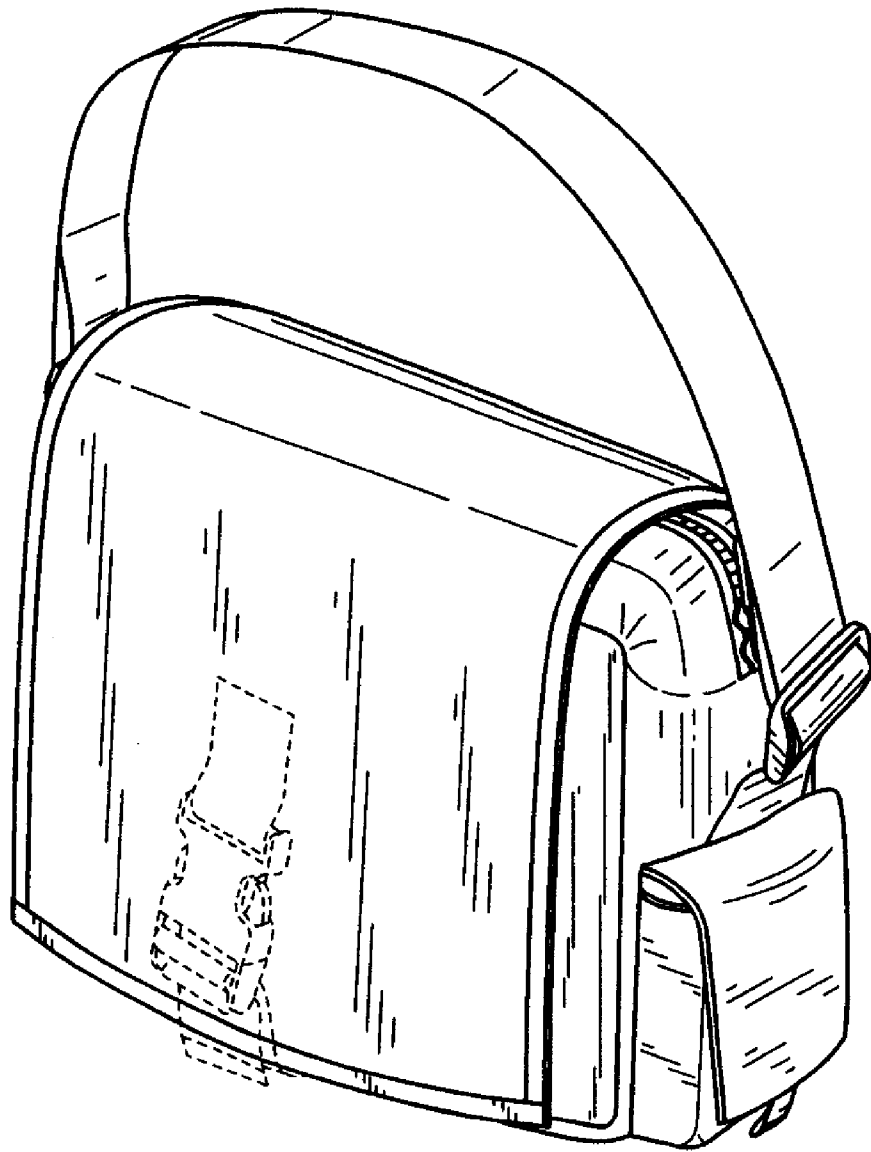


FIG.8

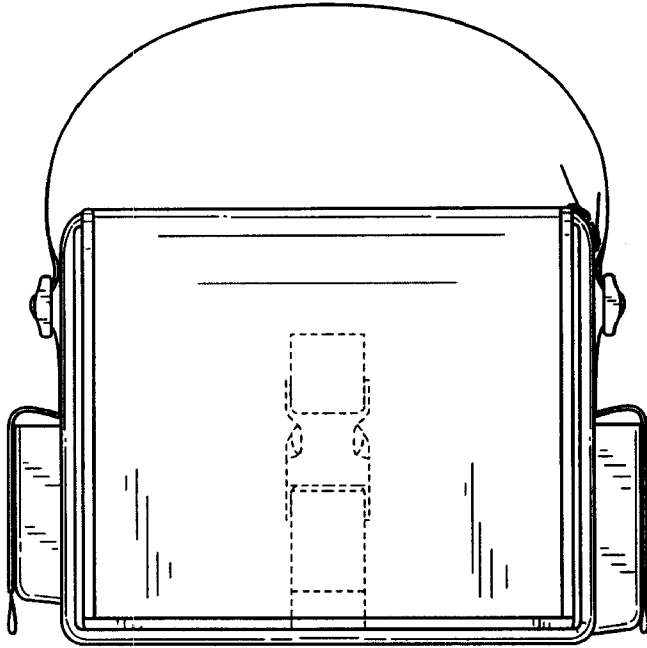


FIG.9

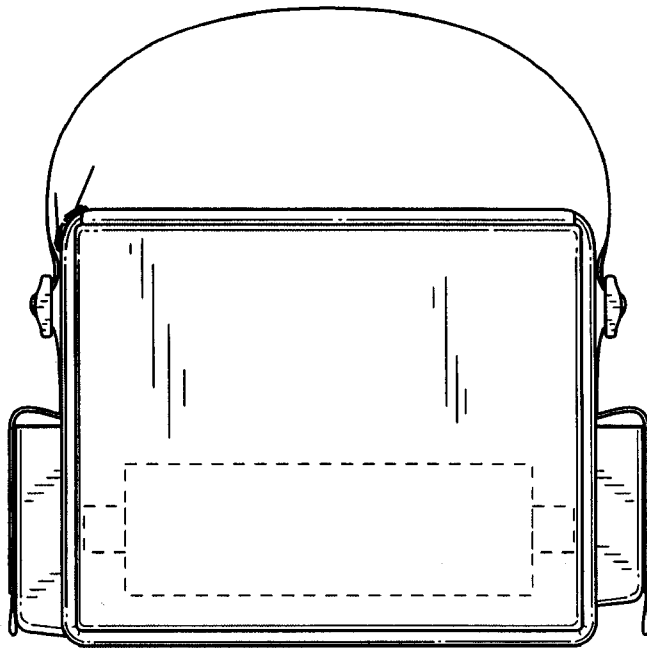


FIG.10