



- (51) **International Patent Classification:**
F01P 3/22 (2006.01)
- (21) **International Application Number:**
PCT/US2011/045985
- (22) **International Filing Date:**
29 July 2011 (29.07.2011)
- (25) **Filing Language:** English
- (26) **Publication Language:** English
- (30) **Priority Data:**
61/369,489 30 July 2010 (30.07.2010) US
13/194,364 29 July 2011 (29.07.2011) US
- (71) **Applicant (for all designated States except US):** TAS Energy, Inc. [US/US]; 6110 Cullen Blvd., Houston, Texas 77021 (US).
- (72) **Inventors; and**
- (75) **Inventors/Applicants (for US only):** Kitz, Kevin [US/US]; 5078 East Stemwood St., Boise, Idaho 83716 (US). PIERSON, Thomas L. [US/US]; 7 Grand Manor Court, Sugar Land, Texas 77479 (US). CROSS, Stanleigh [US/US]; 3004 Beauchamp, Houston, Texas 77009 (US). SPANSWICK, Ian [US/US]; 345 Shasta Drive, Houston, 17404 (US).
- (74) **Agents:** Tidwell, Mark et al.; Haynes and Boone, LLP, 2323 Victory Avenue, Suite 700, Dallas, Texas 75219 (US).
- (81) **Designated States (unless otherwise indicated, for every kind of national protection available):** AE, AG, AL, AM, AO, AT, AU, AZ, BA, BB, BG, BH, BR, BW, BY, BZ, CA, CH, CL, CN, CO, CR, CU, CZ, DE, DK, DM, DO, DZ, EC, EE, EG, ES, FI, GB, GD, GE, GH, GM, GT, HN, HR, HU, ID, IL, IN, IS, JP, KE, KG, KM, KN, KP, KR, KZ, LA, LC, LK, LR, LS, LT, LU, LY, MA, MD, ME, MG, MK, MN, MW, MX, MY, MZ, NA, NG, NI, NO, NZ, OM, PE, PG, PH, PL, PT, RO, RS, RU, SC, SD, SE, SG, SK, SL, SM, ST, SV, SY, TH, TJ, TM, TN, TR, TT, TZ, UA, UG, US, UZ, VC, VN, ZA, ZM, ZW.
- (84) **Designated States (unless otherwise indicated, for every kind of regional protection available):** ARIPO (BW, GH, GM, KE, LR, LS, MW, MZ, NA, SD, SL, SZ, TZ, UG, ZM, ZW), Eurasian (AM, AZ, BY, KG, KZ, MD, RU, TJ, TM), European (AL, AT, BE, BG, CH, CY, CZ, DE, DK, EE, ES, FI, FR, GB, GR, HR, HU, IE, IS, IT, LT, LU, LV, MC, MK, MT, NL, NO, PL, PT, RO, RS, SE, SI, SK, SM, TR), OAPI (BF, BJ, CF, CG, CI, CM, GA, GN, GQ, GW, ML, MR, NE, SN, TD, TG).

Declarations under Rule 4.17:

— of inventorship (Rule 4.17(iv))

[Continued on next page]

(54) **Title:** HIGH PERFORMANCE ORC POWER PLANT AIR COOLED CONDENSER SYSTEM

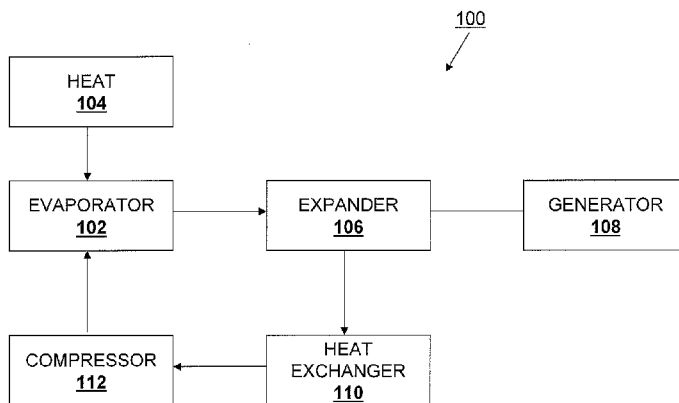


Figure 1a

(57) **Abstract:** An air-cooled condenser system for an Organic Rankin Cycle power plant includes a support structure formed of a plurality of truss members that are coupled together in a spaced apart orientation to horizontally support a plurality of side-by-side condenser bundles. A plurality of fans are likewise supported by the truss members and are disposed above the condenser bundles to draw air across the condenser bundles. Each fan extends over at least two condenser bundles and preferably at least three bundles. An air plenum is provided to establish a minimum separation between each fan and its corresponding condenser bundles so as to fluidly couple each fan to at least two condenser bundles, while at the same time decoupling the air inlet and air exit for the system, thereby minimizing air recirculation.

WO 2012/016196 A3



Published:

(88) Date of publication of the international search report:

15 March 2012

- *with international search report (Art. 21(3))*
- *before the expiration of the time limit for amending the claims and to be republished in the event of receipt of amendments (Rule 48.2(h))*

INTERNATIONAL SEARCH REPORT

International application No.
PCT/US2011/045985

A. CLASSIFICATION OF SUBJECT MATTER
 IPC(8) - F01P 3/22 (2011.01)
 USPC - 60/641.2
 According to International Patent Classification (IPC) or to both national classification and IPC

B. FIELDS SEARCHED
 Minimum documentation searched (classification system followed by classification symbols)
 IPC(8) - F01P 3/22; F02B 63/04; F03G 7/00 (2011.01)
 USPC - 47/17; 52/173.1, 302.1; 60/641.2, 641.8, 651, 671; 119/437; 126/622, 623; 165/900

Documentation searched other than minimum documentation to the extent that such documents are included in the fields searched

Electronic data base consulted during the international search (name of data base and, where practicable, search terms used)
 PatBase, Google Patent

C. DOCUMENTS CONSIDERED TO BE RELEVANT

Category*	Citation of document, with indication, where appropriate, of the relevant passages	Relevant to claim No.
Y	US 7,225,621 B2 (ZIMRON et al) 05 June 2007 (05.06.2007) entire document	1-43
Y	US 4,386,456 A (VOLZ) 07 June 1983 (07.06.1983) entire document	1-43
Y	US 5,117,905 A (HESSE) 02 June 1992 (02.06.1992) entire document	3, 35-37
Y	US 2009/0123284 A1 (MADSEN) 14 May 2009 (14.05.2009) entire document	11, 12, 42
Y	US 7,625,186 B1 (LUEDECKE) 01 December 2009 (01.12.2009) entire document	13, 14
Y	US 2010/0107633 A1 (TSAO) 06 May 2010 (06.05.2010) entire document	15-23
Y	US 2003/0167698 A1 (ADAMS et al) 11 September 2003 (11.09.2003) entire document	24-29
Y	US 4,996,846 A (BRONICKI) 05 March 1991 (05.03.1991) entire document	38, 39
Y	US 2010/0071366 A1 (KLEMENCIC) 25 March 2010 (25.03.2010) entire document	43
A	US 2009/0277400 A1 (CONRY) 12 November 2009 (12.11.2009) entire document	1-43
A	US 7,201,011 B2 (MACDONALD et al) 10 April 2007 (10.04.2007) entire document	1-43
A	US 7,428,816 B2 (SINGH et al) 30 September 2008 (30.09.2008) entire document	1-43

Further documents are listed in the continuation of Box C.

* Special categories of cited documents:	"T" later document published after the international filing date or priority date and not in conflict with the application but cited to understand the principle or theory underlying the invention
"A" document defining the general state of the art which is not considered to be of particular relevance	"X" document of particular relevance; the claimed invention cannot be considered novel or cannot be considered to involve an inventive step when the document is taken alone
"E" earlier application or patent but published on or after the international filing date	"Y" document of particular relevance; the claimed invention cannot be considered to involve an inventive step when the document is combined with one or more other such documents, such combination being obvious to a person skilled in the art
"L" document which may throw doubts on priority claim(s) or which is cited to establish the publication date of another citation or other special reason (as specified)	"&" document member of the same patent family
"O" document referring to an oral disclosure, use, exhibition or other means	
"P" document published prior to the international filing date but later than the priority date claimed	

Date of the actual completion of the international search 22 December 2011	Date of mailing of the international search report 05 JAN 2012
---	--

Name and mailing address of the ISA/US Mail Stop PCT, Attn: ISA/US, Commissioner for Patents P.O. Box 1450, Alexandria, Virginia 22313-1450 Facsimile No. 571-273-3201	Authorized officer: Blaine R. Copenheaver PCT Helpdesk: 571-272-4300 PCT OSP: 571-272-7774
---	---