



US00D701934S

(12) **United States Design Patent**
Castaneda

(10) **Patent No.:** **US D701,934 S**

(45) **Date of Patent:** **** Apr. 1, 2014**

(54) **PISTOL ACCESSORY RAIL**

(71) Applicant: **Michael Castaneda**, Diamond Bar, CA
(US)

(72) Inventor: **Michael Castaneda**, Diamond Bar, CA
(US)

(**) Term: **14 Years**

(21) Appl. No.: **29/421,872**

(22) Filed: **Oct. 9, 2012**

(51) **LOC (10) Cl.** **22-01**

(52) **U.S. Cl.**

USPC **D22/108**

(58) **Field of Classification Search**

USPC D22/100, 108–110, 199; 248/201,
248/205.1; 42/11, 72, 90, 85, 71.01, 75.02,
42/106, 113–114, 124–125, 127–128

See application file for complete search history.

(56) **References Cited**

U.S. PATENT DOCUMENTS

D577,094 S * 9/2008 Wallace D22/109
7,797,875 B1 9/2010 Carrier

7,954,270 B2 6/2011 Bentley
D654,135 S * 2/2012 Edge et al. D22/108
8,276,307 B2 * 10/2012 Deros 42/127
8,296,991 B1 * 10/2012 Chung 42/111
8,336,244 B2 * 12/2012 Peterson et al. 42/90
D683,417 S * 5/2013 Daniel et al. D22/108
8,522,469 B2 * 9/2013 Baker 42/90
2011/0100203 A1 * 5/2011 Genes et al. 89/9
2012/0311910 A1 * 12/2012 Mironichev et al. 42/90

* cited by examiner

Primary Examiner — Michael A Pratt

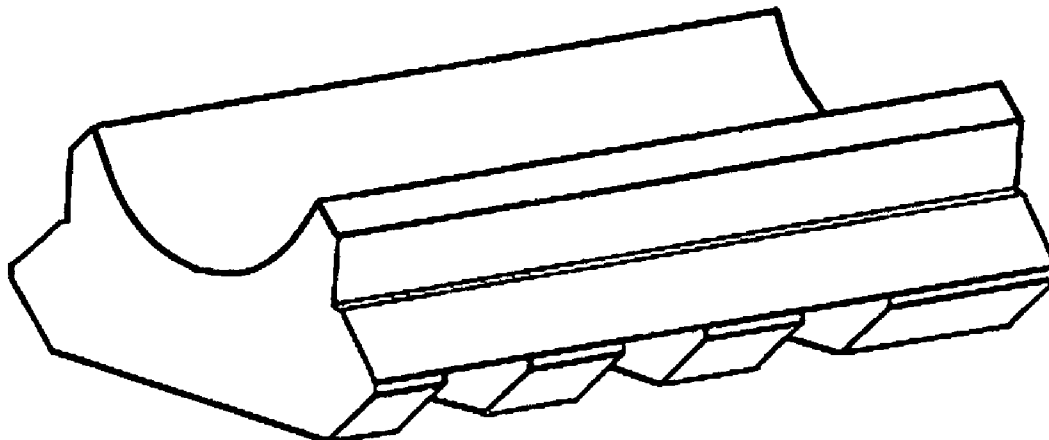
(57) **CLAIM**

The ornamental design for a pistol accessory rail, as shown.

DESCRIPTION

FIG. 1 is a general perspective view of a pistol accessory rail.
FIG. 2 is a front perspective view of the pistol accessory rail.
FIG. 3 is a rear side view of the pistol accessory rail.
FIG. 4 is a bottom side perspective view of the pistol accessory rail.
FIG. 5 is a top side perspective view of the pistol accessory rail.
FIG. 6 is a left side view of the pistol accessory rail; and,
FIG. 7 is a right side view of the pistol accessory rail.

1 Claim, 7 Drawing Sheets



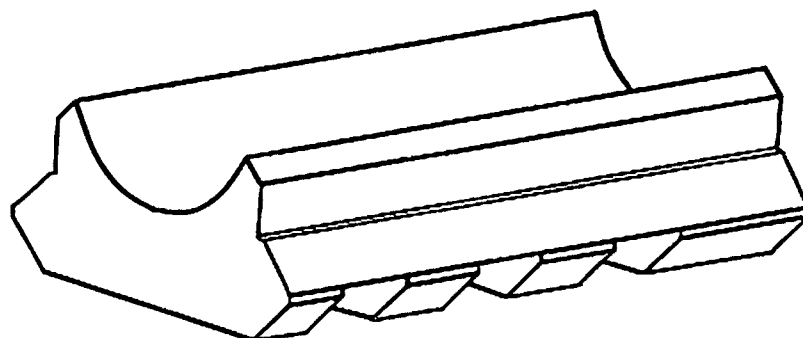


Fig.1

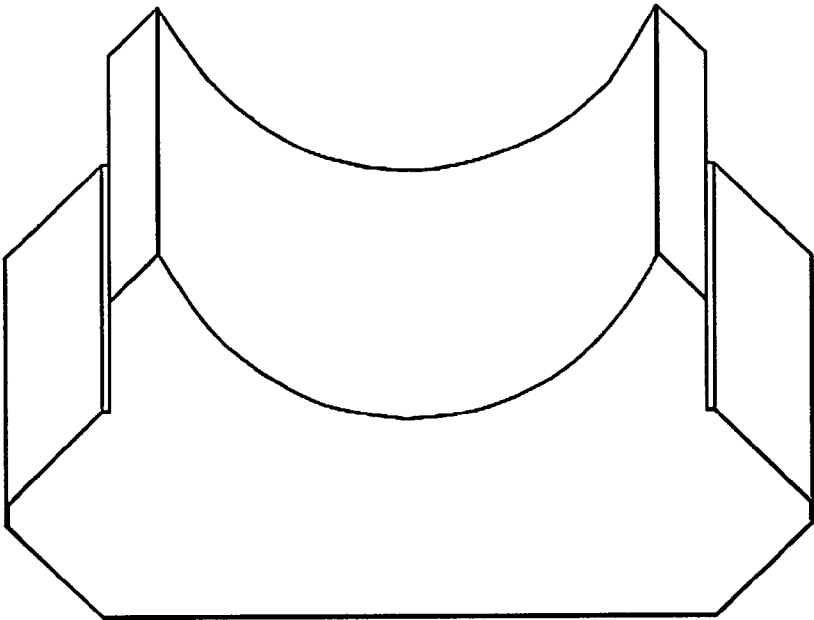


Fig.2

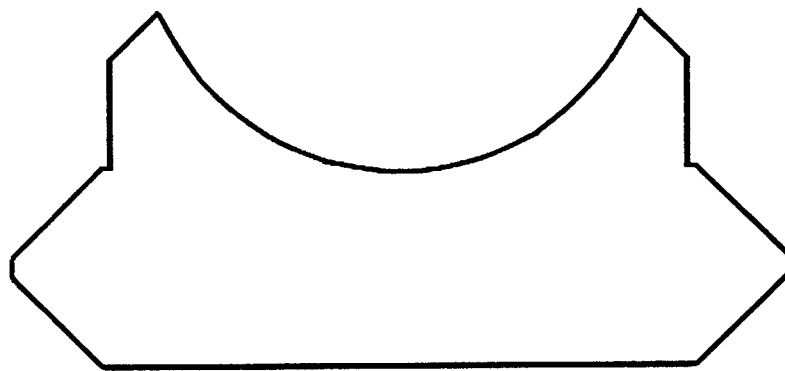


Fig.3

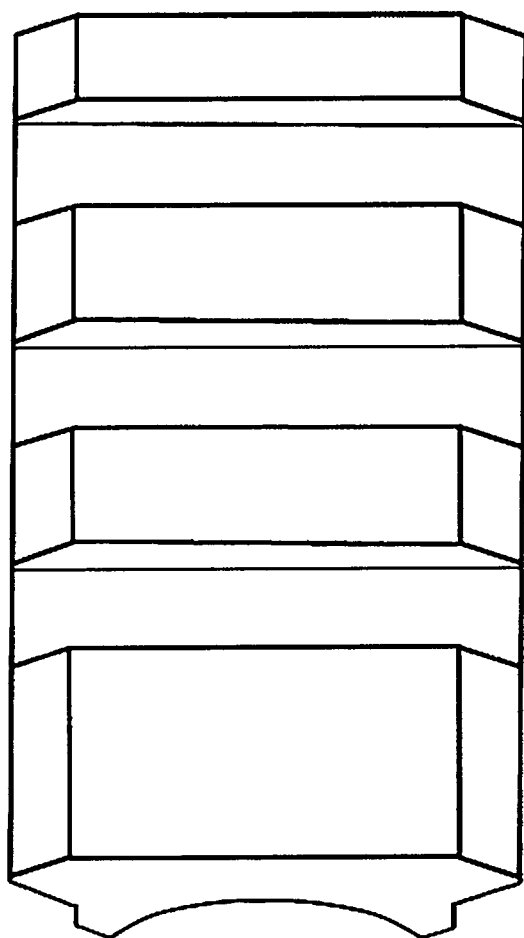


Fig.4

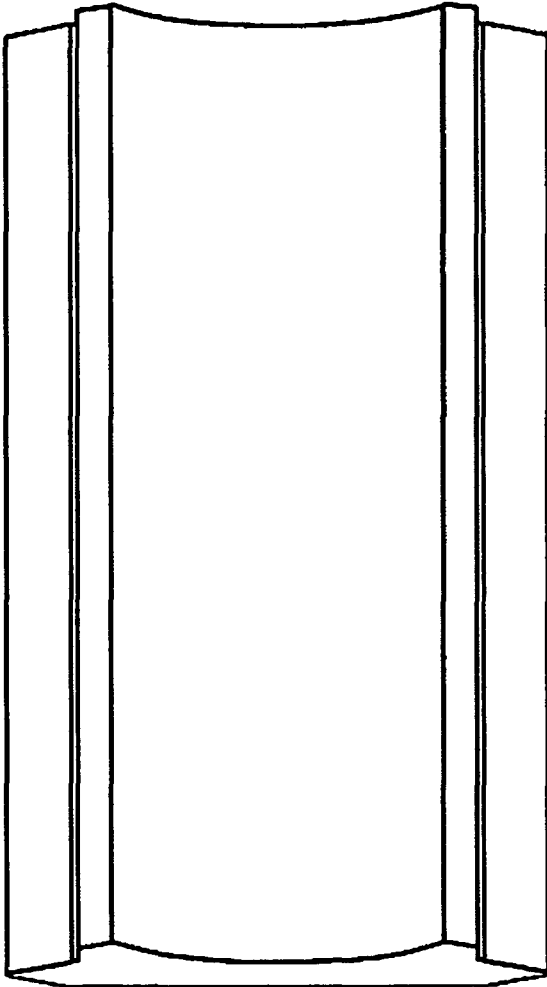


Fig.5

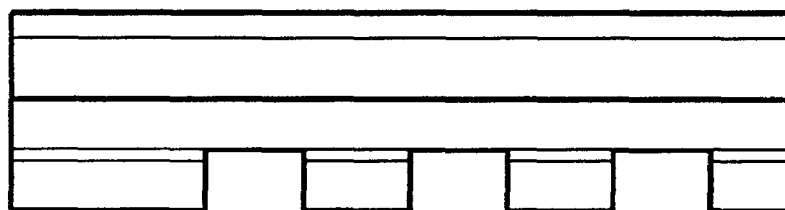


Fig.6

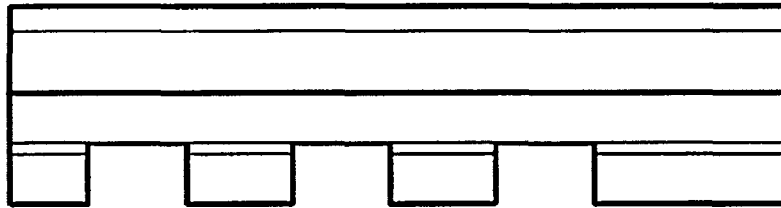


Fig.7