

(19) World Intellectual Property Organization
International Bureau



(43) International Publication Date
26 June 2008 (26.06.2008)

PCT

(10) International Publication Number
WO 2008/075397 A3

(51) International Patent Classification:
G02F 1/1333 (2006.01)

(21) International Application Number:
PCT/IT2007/000878

(22) International Filing Date:
17 December 2007 (17.12.2007)

(25) Filing Language: English

(26) Publication Language: English

(30) Priority Data:
CS2006A000019 18 December 2006 (18.12.2006) IT

(71) Applicants (for all designated States except US): **UNIVERSITÀ DELLA CALABRIA** [IT/IT]; I-87036 Arcavacata Di Rende (IT). **UNIVERSITÀ DEGLI STUDI DI ROMA 'LA SAPIENZA'** [IT/IT]; Piazzale Aldo Moro, 5, I-00185 Roma (IT). **CNR- CENTRO NAZIONALE DELLE RICERCHE** [IT/IT]; Piazzale Aldo Moro 7, I-00185 Roma (IT).

(72) Inventors; and

(75) Inventors/Applicants (for US only): **D'ALESSANDRO, Antonio** [IT/IT]; Via Valerio Publicola 16, I-00174 Roma (IT). **BECCHERELLI, Romeo** [IT/IT]; Via Pescaglia 40, I-00184 Roma (IT). **UMETON, Cesare** [IT/IT]; Dip. di Fisica Cubo 33B, Università della Calabria, 87036 Rende (IT). **ASQUINI, Rita** [IT/IT]; Via L. il Magnifico 67, I-00162 Roma (IT). **DONISI, Domenico** [IT/IT]; Via dei Velieri 76, I-00121 Ostia Lido (Roma) (IT). **DE SIO, Luciano** [IT/IT]; Dip. di Fisica Cubo 33B, Università della Calabria, I-87036 Rende (IT). **CAPUTO, Roberto** [IT/IT]; Dip. di Fisica Cubo 33B, Università della Calabria, I-87036 Rende (IT).

(74) Agent: **PERROTTA, Aldo**; Via G. Marconi, 32, I-88068 Soverato (CZ) (IT).

(81) Designated States (unless otherwise indicated, for every kind of national protection available): AE, AG, AL, AM, AT, AU, AZ, BA, BB, BG, BH, BR, BW, BY, BZ, CA, CH, CN, CO, CR, CU, CZ, DE, DK, DM, DO, DZ, EC, EE, EG, ES, FI, GB, GD, GE, GH, GM, GT, HN, HR, HU, ID, IL, IN, IS, JP, KE, KG, KM, KN, KP, KR, KZ, LA, LC, LK, LR, LS, LT, LU, LY, MA, MD, ME, MG, MK, MN, MW, MX, MY, MZ, NA, NG, NI, NO, NZ, OM, PG, PH, PL, PT, RO, RS, RU, SC, SD, SE, SG, SK, SL, SM, SV, SY, TJ, TM, TN, TR, TT, TZ, UA, UG, US, UZ, VC, VN, ZA, ZM, ZW.

(84) Designated States (unless otherwise indicated, for every kind of regional protection available): ARIPO (BW, GH, GM, KE, LS, MW, MZ, NA, SD, SL, SZ, TZ, UG, ZM, ZW), Eurasian (AM, AZ, BY, KG, KZ, MD, RU, TJ, TM), European (AT, BE, BG, CH, CY, CZ, DE, DK, EE, ES, FI, FR, GB, GR, HU, IE, IS, IT, LT, LU, LV, MC, MT, NL, PL, PT, RO, SE, SI, SK, TR), OAPI (BF, BJ, CF, CG, CI, CM, GA, GN, GQ, GW, ML, MR, NE, SN, TD, TG).

Published:

- with international search report (Art. 21(3))
- before the expiration of the time limit for amending the claims and to be republished in the event of receipt of amendments (Rule 48.2(h))

(88) Date of publication of the international search report:
3 June 2011

(54) Title: ELECTRO-OPTICAL TUNABLE FILTER AND MANUFACTURING PROCESS

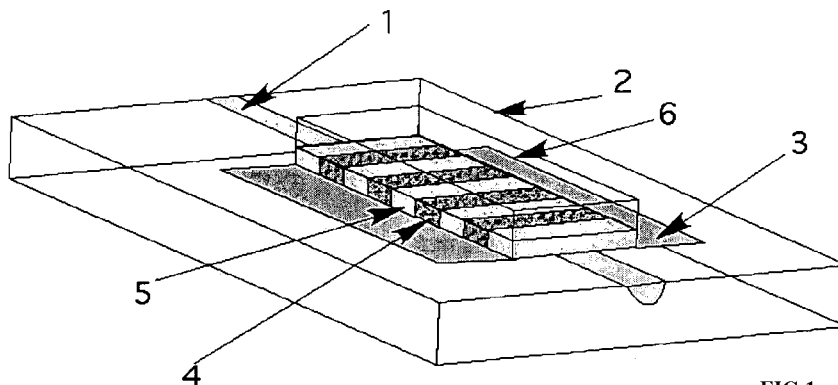


FIG 1

(57) Abstract: An electro-optical filter made of a support in which an optical guide with a diffused channel waveguide and of a cover, that are created in borosilicate glass, and which includes a gap obtained by the use of suitable spacers, filled with a grating constituted of alternating strips of polymer and liquid crystal called POLICRYPS (Polymer Liquid CRYstal Polymer Slices), and with first electrodes that are coplanar to the support and next to the optical guide with a channel, that electrically control the grating making the filter tunable, and a manufacturing process.

WO 2008/075397 A3

INTERNATIONAL SEARCH REPORT

International application No
PCT/IT2007/000878

A. CLASSIFICATION OF SUBJECT MATTER
INV. G02F1/1333
ADD.
According to International Patent Classification (IPC) or to both national classification and IPC

B. FIELDS SEARCHED
Minimum documentation searched (classification system followed by classification symbols)
G02F G02B

Documentation searched other than minimum documentation to the extent that such documents are included in the fields searched

Electronic data base consulted during the international search (name of data base and, where practical, search terms used)
EPO-Internal, INSPEC

C. DOCUMENTS CONSIDERED TO BE RELEVANT

Category*	Citation of document, with indication, where appropriate, of the relevant passages	Relevant to claim No.
X	US 2003/219204 A1 (YERALAN SERDAR [US] ET AL) 27 November 2003 (2003-11-27)	1-6
Y	paragraphs [0003], [0004], [0007] paragraphs [0011], [0012] paragraphs [0020] - [0027]; figures 1A-1C paragraph [0028]; figure 3 -/--	7-9

Further documents are listed in the continuation of Box C.

See patent family annex.

* Special categories of cited documents :

- "A" document defining the general state of the art which is not considered to be of particular relevance
- "E" earlier document but published on or after the international filing date
- "L" document which may throw doubts on priority claim(s) or which is cited to establish the publication date of another citation or other special reason (as specified)
- "O" document referring to an oral disclosure, use, exhibition or other means
- "P" document published prior to the international filing date but later than the priority date claimed

- "T" later document published after the international filing date or priority date and not in conflict with the application but cited to understand the principle or theory underlying the invention
- "X" document of particular relevance; the claimed invention cannot be considered novel or cannot be considered to involve an inventive step when the document is taken alone
- "Y" document of particular relevance; the claimed invention cannot be considered to involve an inventive step when the document is combined with one or more other such documents, such combination being obvious to a person skilled in the art.
- "&" document member of the same patent family

Date of the actual completion of the international search 8 February 2011	Date of mailing of the international search report 08/04/2011
Name and mailing address of the ISA/ European Patent Office, P.B. 5818 Patentlaan 2 NL - 2280 HV Rijswijk Tel. (+31-70) 340-2040, Fax: (+31-70) 340-3016	Authorized officer Cossu, Alessandro

INTERNATIONAL SEARCH REPORT

International application No
PCT/IT2007/000878

C(Continuation). DOCUMENTS CONSIDERED TO BE RELEVANT		
Category*	Citation of document, with indication, where appropriate, of the relevant passages	Relevant to claim No.
	-& WO 03/012532 A2 (DIGILENS INC [US]; GUNTHER JOHN E [US]; STOREY JOHN JAMES [GB]; CHAN E) 13 February 2003 (2003-02-13) page 1, line 9 - page 2, line 5 page 6, line 25 - page 7, line 13; figure 1 page 7, line 15 - page 9, line 20; figure 2 page 9, lines 22-26 page 9, line 28 - page 11, line 2; figures 3A-4B page 14, lines 12-34; figures 11A-11B -----	
X	DOMASH L ET AL: "LOW COST ACTIVE WDM COMPONENTS VIA POLYMER COMPOSITE SWITCHABLE BRAGG GRATINGS", PROCEEDINGS OF SPIE, vol. 3234, 4 November 1997 (1997-11-04), pages 146-152, XP001000004, SPIE, USA ISSN: 0277-786X, DOI: 10.1117/12.300923	1-6
Y	the whole document -----	7-9
X	US 2004/151434 A1 (GALSTIAN TIGRAN [CA] ET AL) 5 August 2004 (2004-08-05)	1-6
Y	paragraphs [0008] - [0011] paragraphs [0029] - [0037]; figure 1a paragraph [0039]; figure 2a paragraphs [0043] - [0045]; figure 3a paragraphs [0048] - [0070] paragraphs [0073] - [0074]; figure 9 -----	7-9
Y	JIZUO ZOU ET AL: "Two-step K<+>-Na<+> and Ag<+>-Na<+> ion-exchanged glass waveguides for C-band applications", APPLIED OPTICS OPT. SOC. AMERICA USA, vol. 41, no. 36, 20 December 2002 (2002-12-20), pages 7620-7626, XP002621043, ISSN: 0003-6935 page 7620 - page 7621 page 7622; table 2 -----	7-9

INTERNATIONAL SEARCH REPORT

Information on patent family members

International application No

PCT/IT2007/000878

Patent document cited in search report	Publication date	Patent family member(s)	Publication date
US 2003219204	A1	27-11-2003	NONE

WO 03012532	A2	13-02-2003	CN 1554035 A 08-12-2004
			EP 1412809 A2 28-04-2004
			JP 2004537751 T 16-12-2004
			US 2004022492 A1 05-02-2004

US 2004151434	A1	05-08-2004	NONE
