



US00D747282S

(12) **United States Design Patent**
Tako et al.

(10) **Patent No.:** **US D747,282 S**
(45) **Date of Patent:** **** Jan. 12, 2016**

(54) **TELEVISION**

(71) Applicant: **Sony Corporation**, Tokyo (JP)

(72) Inventors: **Hiroataka Tako**, Tokyo (JP); **Tamie Onishi**, Tokyo (JP); **Shigeya Kuwao**, Tokyo (JP)

(73) Assignee: **Sony Corporation**, Tokyo (JP)

(**) Term: **14 Years**

(21) Appl. No.: **29/459,116**

(22) Filed: **Jun. 26, 2013**

(30) **Foreign Application Priority Data**

Dec. 27, 2012 (CN) 2012 3 0655884

(51) **LOC (10) Cl.** **14-03**

(52) **U.S. Cl.**
USPC **D14/126**

(58) **Field of Classification Search**
USPC D14/125-134, 239, 371, 136, 374-377,
D14/440, 450, 448, 336, 342, 159; 312/7.2;
348/836, 838, 180, 184, 325, 739;
248/917-924, 465; 345/104, 133, 156,
345/168, 87, 173; D21/329, 515, 577, 622,
D21/333, 433, 448, 452, 450, 331, 505;
D10/15, 26; 446/484, 175, 356;
D6/477, 479, 300; D24/185; D34/14
CPC ... G06F 1/1601; G06F 1/1643; H05K 5/0004;
H05K 5/0017; H05K 5/02; H05K 5/0217
See application file for complete search history.

(56) **References Cited**

U.S. PATENT DOCUMENTS

D457,503 S * 5/2002 Butler, Jr. D14/126
D474,162 S 5/2003 Kubota
D540,795 S 4/2007 Takahashi
D545,820 S * 7/2007 Won et al. D14/375

D550,222 S * 9/2007 Park D14/375
D556,709 S * 12/2007 Kim et al. D14/126
D603,815 S * 11/2009 Hirasawa et al. D14/126
D622,238 S * 8/2010 Chow D14/126
D645,431 S * 9/2011 Boo et al. D14/126
D682,800 S * 5/2013 Kim et al. D14/126
D684,945 S * 6/2013 Kang et al. D14/126
D717,755 S * 11/2014 Seong D14/126
D724,042 S * 3/2015 Chang D14/126

FOREIGN PATENT DOCUMENTS

JP D1085763 S 9/2000
JP D1222680 S 11/2004
JP D1307437 S 8/2007
JP D1322103 S 2/2008
JP D1341446 S 10/2008
JP D1368014 S 8/2009
JP D1369770 S 9/2009
JP D1435190 S 3/2012

* cited by examiner

Primary Examiner — Raphael Barkai
(74) *Attorney, Agent, or Firm* — Michael Best & Friedrich LLP

(57) **CLAIM**
The ornamental design for a television, as shown and described.

DESCRIPTION

FIG. 1 is a perspective view of a television showing our new design;
FIG. 2 is a front elevational view thereof;
FIG. 3 is a rear elevational view thereof;
FIG. 4 is a left side elevational view thereof;
FIG. 5 is a right side elevational view thereof;
FIG. 6 is a top plan view thereof; and,
FIG. 7 is a bottom plan view thereof.
Portions shown as broken lines are for illustrative purpose only and form no part of the claimed design.

1 Claim, 5 Drawing Sheets

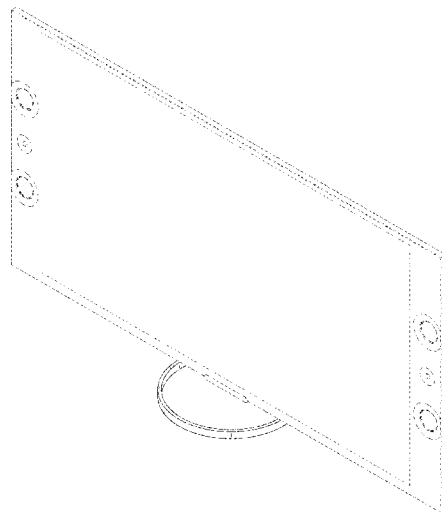


FIG.1

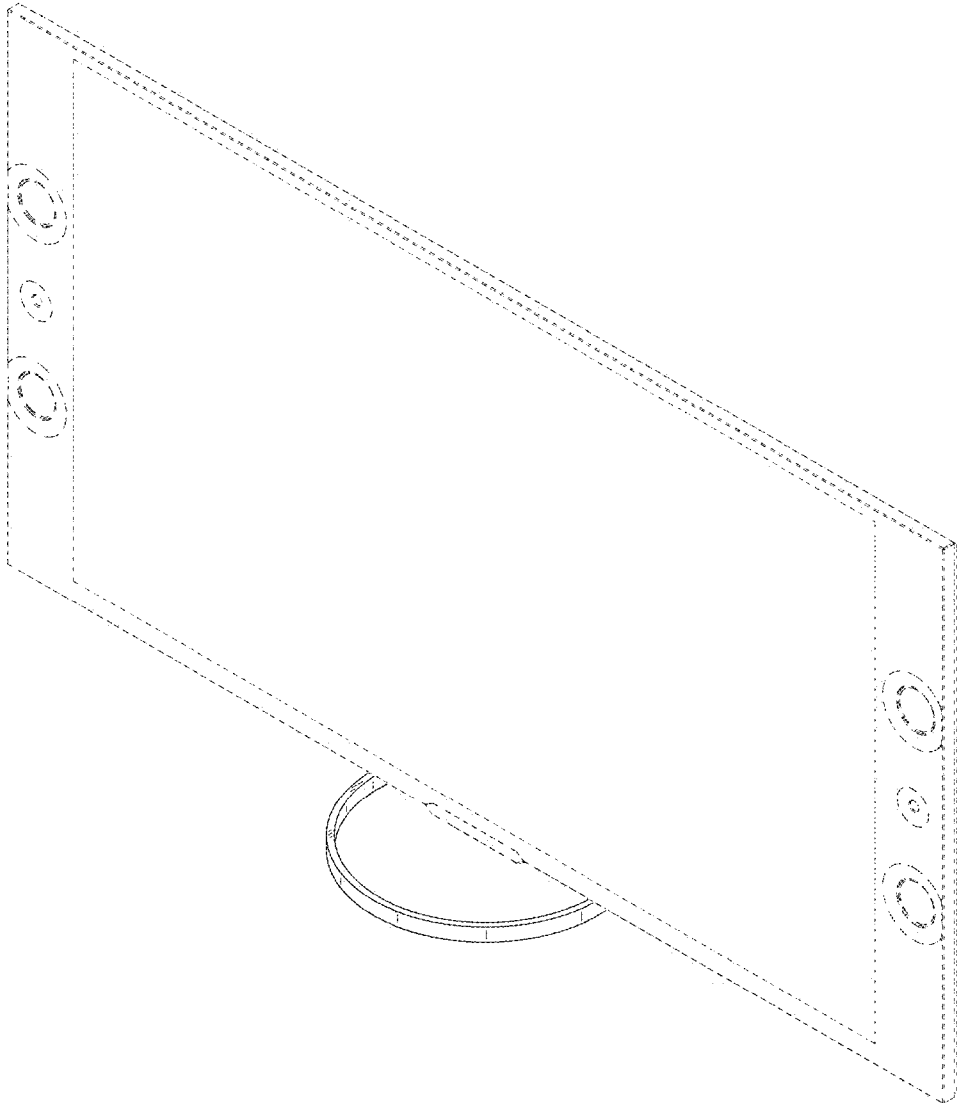


FIG.2

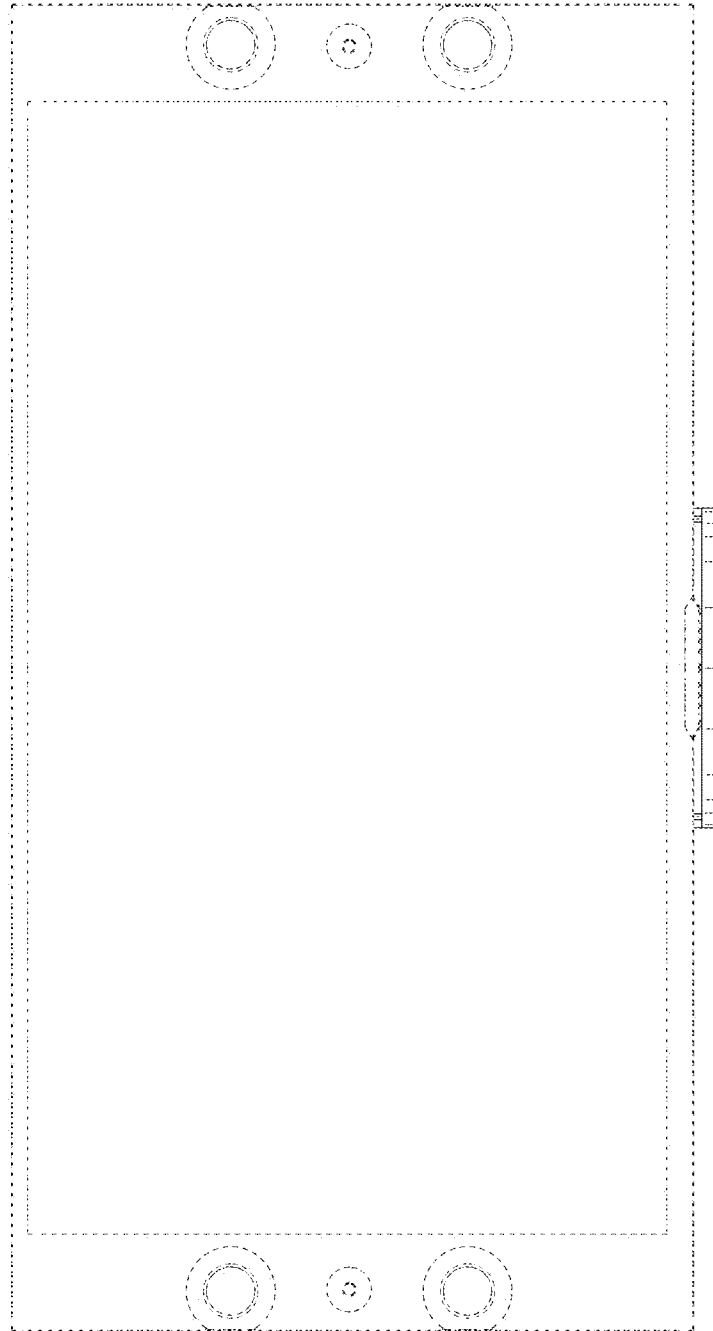


FIG.3

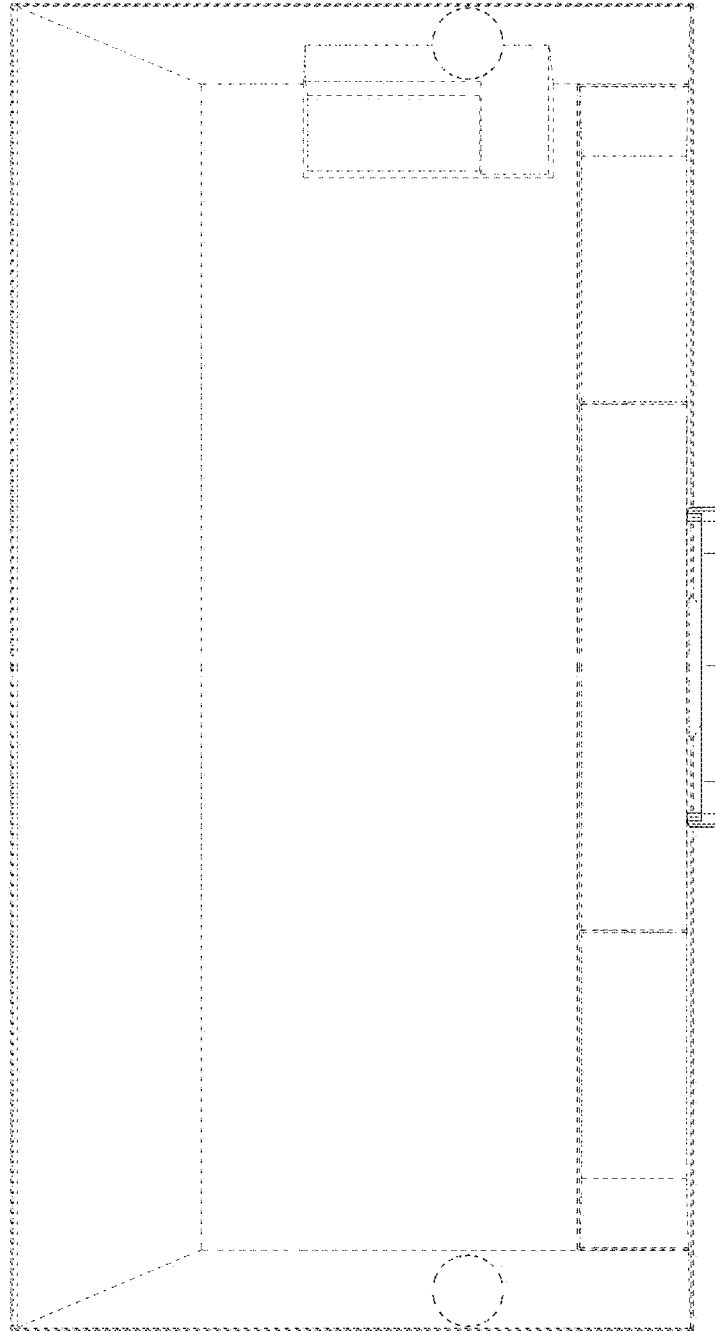


FIG.4

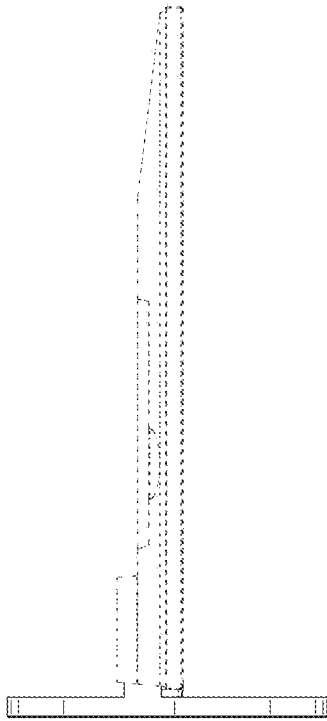


FIG.5

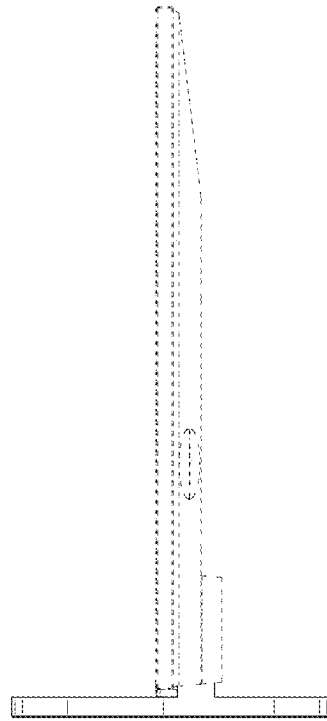


FIG.6

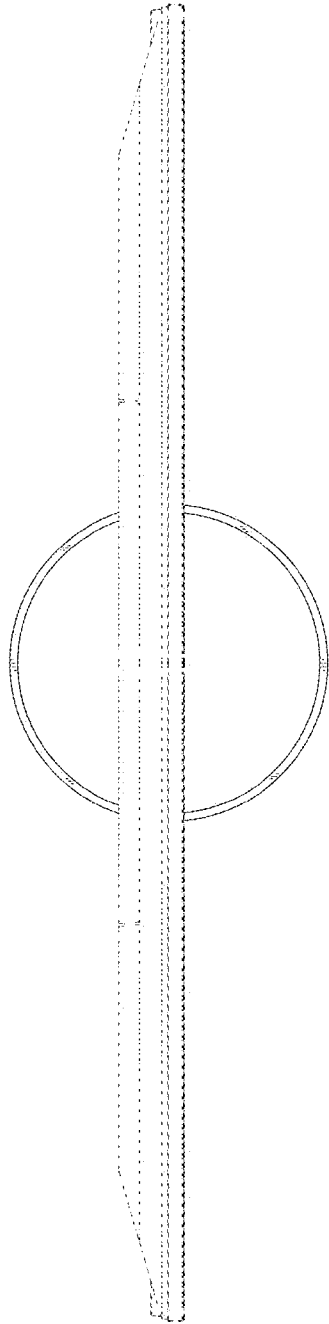


FIG.7

