

(19) World Intellectual Property Organization
International Bureau



(43) International Publication Date
28 February 2008 (28.02.2008)

PCT

(10) International Publication Number
WO 2008/024272 A3

(51) International Patent Classification:
B24B 23/00 (2006.01)

(US). GILES, Matthew [US/US]; 35 Jasper Drive, Amherst, NY 14226 (US).

(21) International Application Number:
PCT/US2007/018211

(74) Agent: LOHRMAN, C., Richard; Simpson & Simpson, PLLC, 5555 Main Street, Williamsville, NY 14221-5406 (US).

(22) International Filing Date: 16 August 2007 (16.08.2007)

(81) Designated States (unless otherwise indicated, for every kind of national protection available): AE, AG, AL, AM, AT, AU, AZ, BA, BB, BG, BH, BR, BW, BY, BZ, CA, CH, CN, CO, CR, CU, CZ, DE, DK, DM, DO, DZ, EC, EE, EG, ES, FI, GB, GD, GE, GH, GM, GT, HN, HR, HU, ID, IL, IN, IS, JP, KE, KG, KM, KN, KP, KR, KZ, LA, LC, LK, LR, LS, LT, LU, LY, MA, MD, ME, MG, MK, MN, MW, MX, MY, MZ, NA, NG, NI, NO, NZ, OM, PG, PH, PL, PT, RO, RS, RU, SC, SD, SE, SG, SK, SL, SM, SV, SY, TJ, TM, TN, TR, TT, TZ, UA, UG, US, UZ, VC, VN, ZA, ZM, ZW.

(25) Filing Language: English

(26) Publication Language: English

(30) Priority Data:
11/507,342 21 August 2006 (21.08.2006) US

(71) Applicant (for all designated States except US):
DYNABRADE, INC. [US/US]; 8989 Sheridan Drive, Clarence, NY 14031-1490 (US).

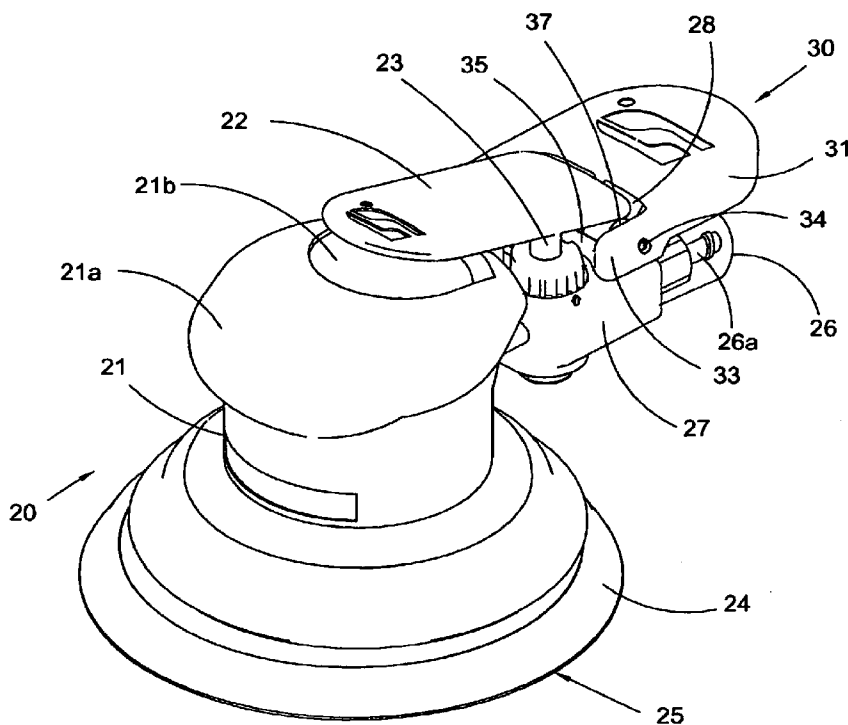
(72) Inventors; and

(84) Designated States (unless otherwise indicated, for every kind of regional protection available): ARIPO (BW, GH, GM, KE, LS, MW, MZ, NA, SD, SL, SZ, TZ, UG, ZM,

(75) Inventors/Applicants (for US only): LAMPKA, Mark [US/US]; 6785 Scottsdale Rd., East Amherst, NY 14051

[Continued on next page]

(54) Title: COMFORT GRIP FOR AN ORBITAL ABRASIVE HAND TOLL



(57) Abstract: The present invention is an abrasive or abrading tool assembly comprising an abrasive or abrading tool (20) having a housing (21), an inlet port (26a), and an exhaust outlet (26) with a support for a wrist (W) and forearm (F) attached to the tool. In one embodiment including a pneumatically powered tool, the support (30) extends toward and over air inlet port and dust bag outlet. The abrading tool may be a rotary toe. The present invention also includes a wrist/forearm support (22) for an abrading tool including a substantially flat body (31), two forks (33) projecting from the body wherein each fork defines an orifice (34), and which the orifices are positioned substantially opposite from each other and possessing a support member (32) that extends from the bottom of the body in the direction of the tool.

Fig. 3

WO 2008/024272 A3



ZW), Eurasian (AM, AZ, BY, KG, KZ, MD, RU, TJ, TM),
European (AT, BE, BG, CH, CY, CZ, DE, DK, EE, ES, FI,
FR, GB, GR, HU, IE, IS, IT, LT, LU, LV, MC, MT, NL, PL,
PT, RO, SE, SI, SK, TR), OAPI (BF, BJ, CF, CG, CI, CM,
GA, GN, GQ, GW, ML, MR, NE, SN, TD, TG).

— *before the expiration of the time limit for amending the
claims and to be republished in the event of receipt of
amendments*

Published:

— *with international search report*

(88) Date of publication of the international search report:

18 December 2008

INTERNATIONAL SEARCH REPORT

International application No.

PCT/US07/18211

A. CLASSIFICATION OF SUBJECT MATTER
 IPC: **B2 4B 23/00**(2006.01)

USPC: 451/354
 According to International Patent Classification (IPC) or to both national classification and IPC

B. FIELDS SEARCHED

Minimum documentation searched (classification system followed by classification symbols)
 U.S. : 451/354-359,442,456; 16/110.1, 421, 422, 426, 430; 248/118.1

Documentation searched other than minimum documentation to the extent that such documents are included in the fields searched

Electronic data base consulted during the international search (name of data base and, where practicable, search terms used)

C. DOCUMENTS CONSIDERED TO BE RELEVANT

Category *	Citation of document, with indication, where appropriate, of the relevant passages	Relevant to claim No.
Y	US 5,772,498 (Neubert et al.) 30 June 1998, figure 1	14,15
X	US 6,669,543 B2 (PRICE et al.) 30 December 2003, see entire document	1,2,4-9,11,16,17,22
Y	Applicant Admitted Prior Art AAPA. Figure 1	3,10,12,13,19-21

Further documents are listed in the continuation of Box C. See patent family annex.

* Special categories of cited documents:	
"A" document defining the general state of the art which is not considered to be of particular relevance	"T" later document published after the international filing date or priority date and not in conflict with the application but cited to understand the principle or theory underlying the invention
"E" earlier application or patent published on or after the international filing date	"X" document of particular relevance; the claimed invention cannot be considered novel or cannot be considered to involve an inventive step when the document is taken alone
"L" document which may throw doubts on priority claim(s) or which is cited to establish the publication date of another citation or other special reason (as specified)	"Y" document of particular relevance; the claimed invention cannot be considered to involve an inventive step when the document is combined with one or more other such documents, such combination being obvious to a person skilled in the art
"O" document referring to an oral disclosure, use, exhibition or other means	"&" document member of the same patent family
"P" document published prior to the international filing date but later than the priority date claimed	

Date of the actual completion of the international search: 17 June 2008 (17.06.2008)

Date of mailing of the international search report: **21 OCT 2008**

Name and mailing address of the ISA/US:
 Mail Stop PCT, Attn: ISA/US
 Commissioner for Patents
 P.O. Box 1450
 Alexandria, Virginia 22313-1450
 Facsimile No. (571) 273-3201

Authorized Officer:
 Joseph Hail
 Telephone No. 703 308 1148