



US00D347699S

United States Patent [19]

[11] Patent Number: **Des. 347,699**

Krueger

[45] Date of Patent: **** Jun. 7, 1994**

[54] **EXTRUDED RAIL FOR USE IN A CURTAIN SIDED CONTAINER TO SUPPORT THE CURTAIN AND POST ASSEMBLIES**

[75] Inventor: **John G. Krueger, Werribee, Australia**

[73] Assignee: **Krueger Transport Equipment Pty. Ltd., St. Albans, Australia**

[*] Notice: **The portion of the term of this patent subsequent to Aug. 7, 2004 has been disclaimed.**

[**] Term: **14 Years**

[21] Appl. No.: **226,962**

[22] Filed: **Aug. 1, 1988**

[52] U.S. Cl. **D25/119**

[58] Field of Search 49/501, 502, 504, DIG. 1, 49/DIG. 2; 52/730, 731, 732, 738; 256/59; D8/363, 366, 376-377; 296/143, 181, 183; 160/330, 333, 334; D25/38, 119, 121, 122, 124, 43

[56] **References Cited**

U.S. PATENT DOCUMENTS

D. 199,024 9/1964 Wadsworth D25/123
D. 274,267 6/1984 Cushing D25/124

Primary Examiner—A. Hugo Word

Assistant Examiner—Doris Clark

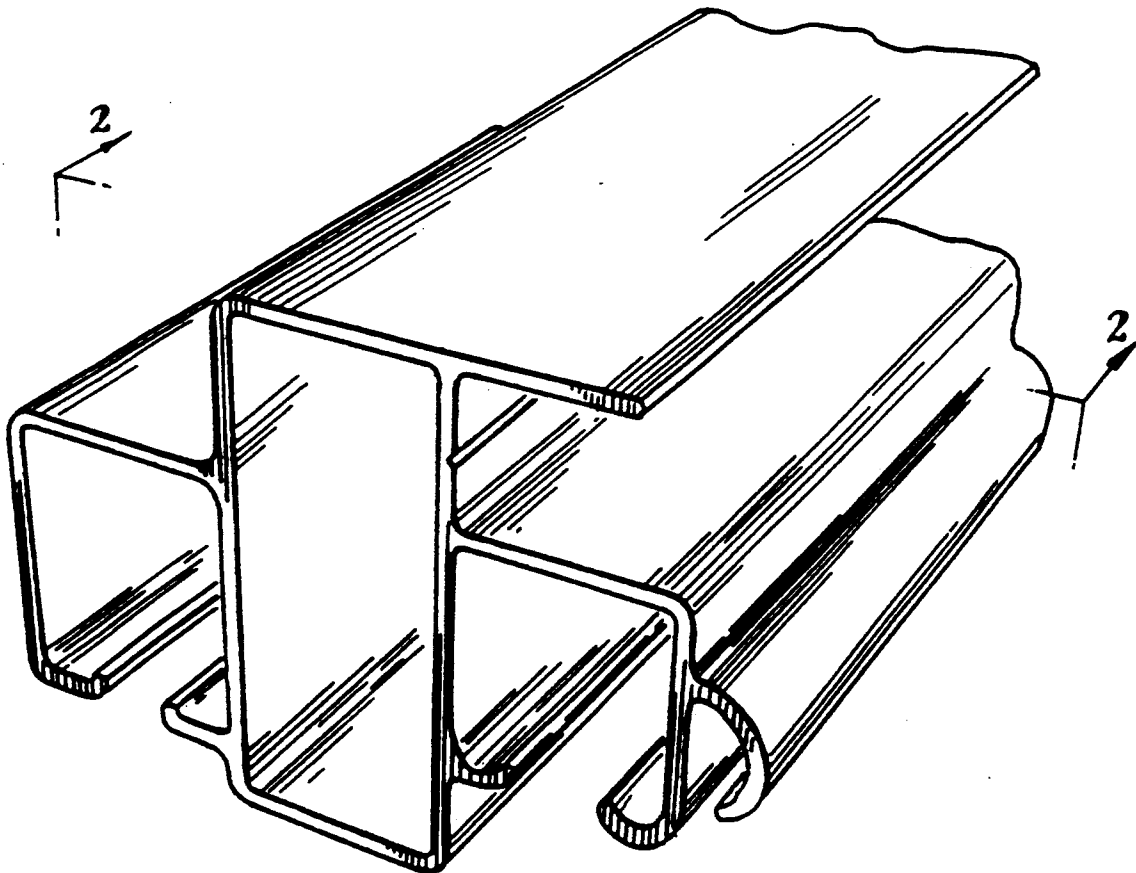
Attorney, Agent, or Firm—Reising, Ethington, Barnard, Perry & Milton

[57] **CLAIM**

The ornamental design for an extruded rail for use in a curtain sided container to support the curtain and post assemblies, as shown.

DESCRIPTION

FIG. 1 is a perspective view of the extruded rail for use in a curtain sided container to support the curtain and post assemblies showing my new design; and, FIG. 2 is a cross sectional view taken along lines 2—2 of FIG. 1.



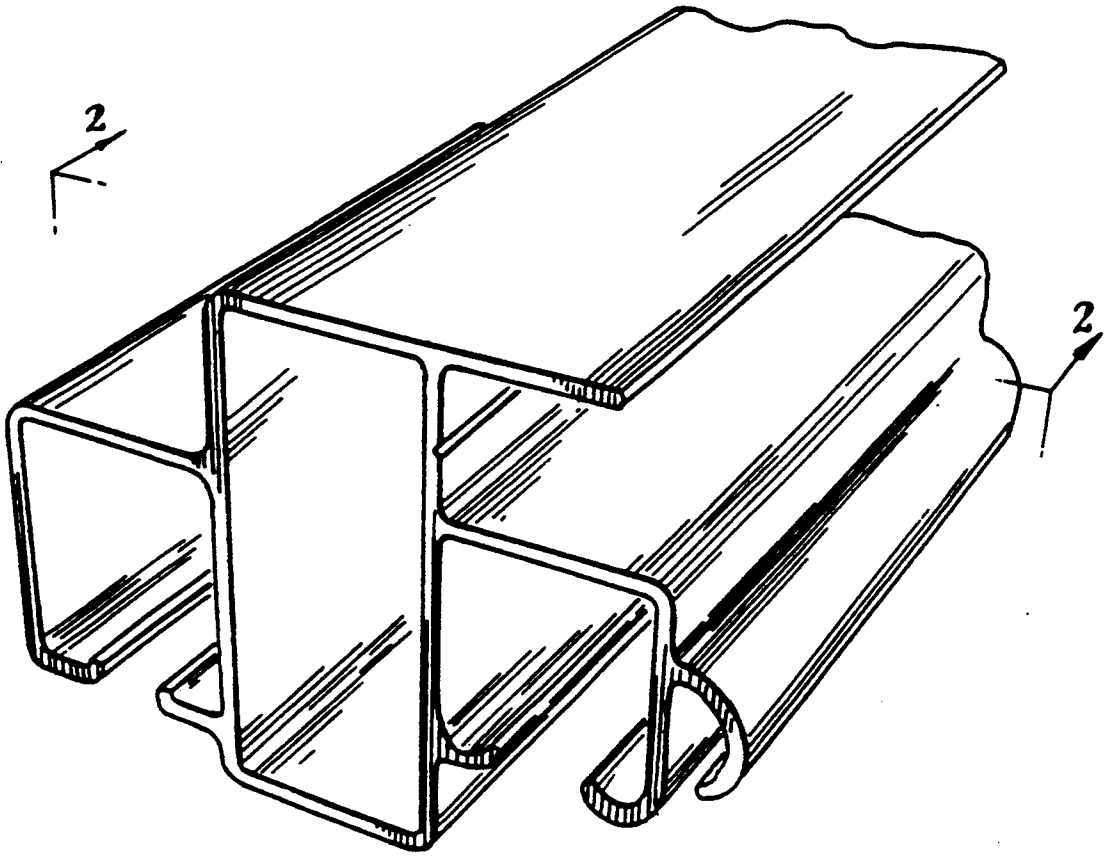


FIG. 1.

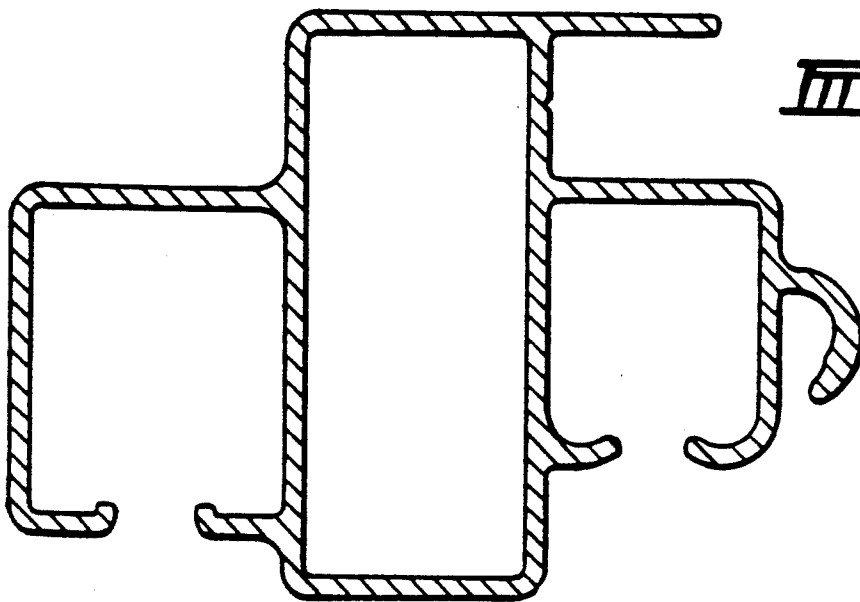


FIG. 2.