



US00D656352S

(12) **United States Design Patent**
Berdugo Adler et al.

(10) **Patent No.:** **US D656,352 S**

(45) **Date of Patent:** **** Mar. 27, 2012**

(54) **WALL MOUNTED DISPENSER**

(75) Inventors: **Joelle Berdugo Adler**, Hampstead (CA);
Michael Llewellyn Coleman, Pompano
Beach, FL (US); **Mitchell Litwin**,
Notre-Dame-de-Grâce (CA)

(73) Assignee: **7225059 Canada Inc.**, Montreal,
Quebec (CA)

(**) Term: **14 Years**

(21) Appl. No.: **29/376,793**

(22) Filed: **Oct. 12, 2010**

(51) **LOC (9) Cl.** **23-02**

(52) **U.S. Cl.** **D6/546**

(58) **Field of Classification Search** D6/542-545;
221/208, 282, 283; 222/105, 173, 180, 181.1,
222/181.2, 181.3

See application file for complete search history.

(56) **References Cited**

U.S. PATENT DOCUMENTS

D457,026 S * 5/2002 Chen D6/545
D471,046 S * 3/2003 Hagemann et al. D6/545

D496,202 S * 9/2004 Hansen D6/545
D597,356 S * 8/2009 Storz D6/545
D604,545 S * 11/2009 Law et al. D6/545
D616,683 S * 6/2010 Law et al. D6/545
D639,591 S * 6/2011 Wallace D6/545

* cited by examiner

Primary Examiner — Brian N Vinson

(74) *Attorney, Agent, or Firm* — Ladas & Parry LLP

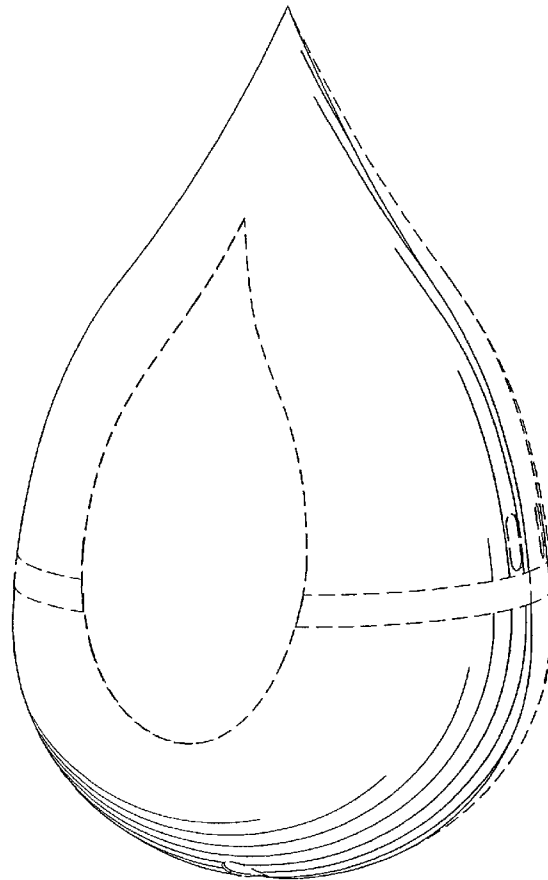
(57) **CLAIM**

The ornamental design for a wall mounted dispenser, as shown and described.

DESCRIPTION

FIG. 1 is a front, left perspective view of the wall mounted dispenser in accordance with our new design; FIG. 2 is a front view of the dispenser of FIG. 1; FIG. 3 is a top plan view of the dispenser of FIG. 1; FIG. 4 is a bottom plan view of the dispenser of FIG. 1; FIG. 5 is a right side view of the dispenser of FIG. 1; FIG. 6 is a left side view of the dispenser of FIG. 1; and, FIG. 7 is a rear view of the dispenser of the FIGS. 1. The broken lines shown in the Figures are for the purpose of illustration only and form no part of the design.

1 Claim, 6 Drawing Sheets



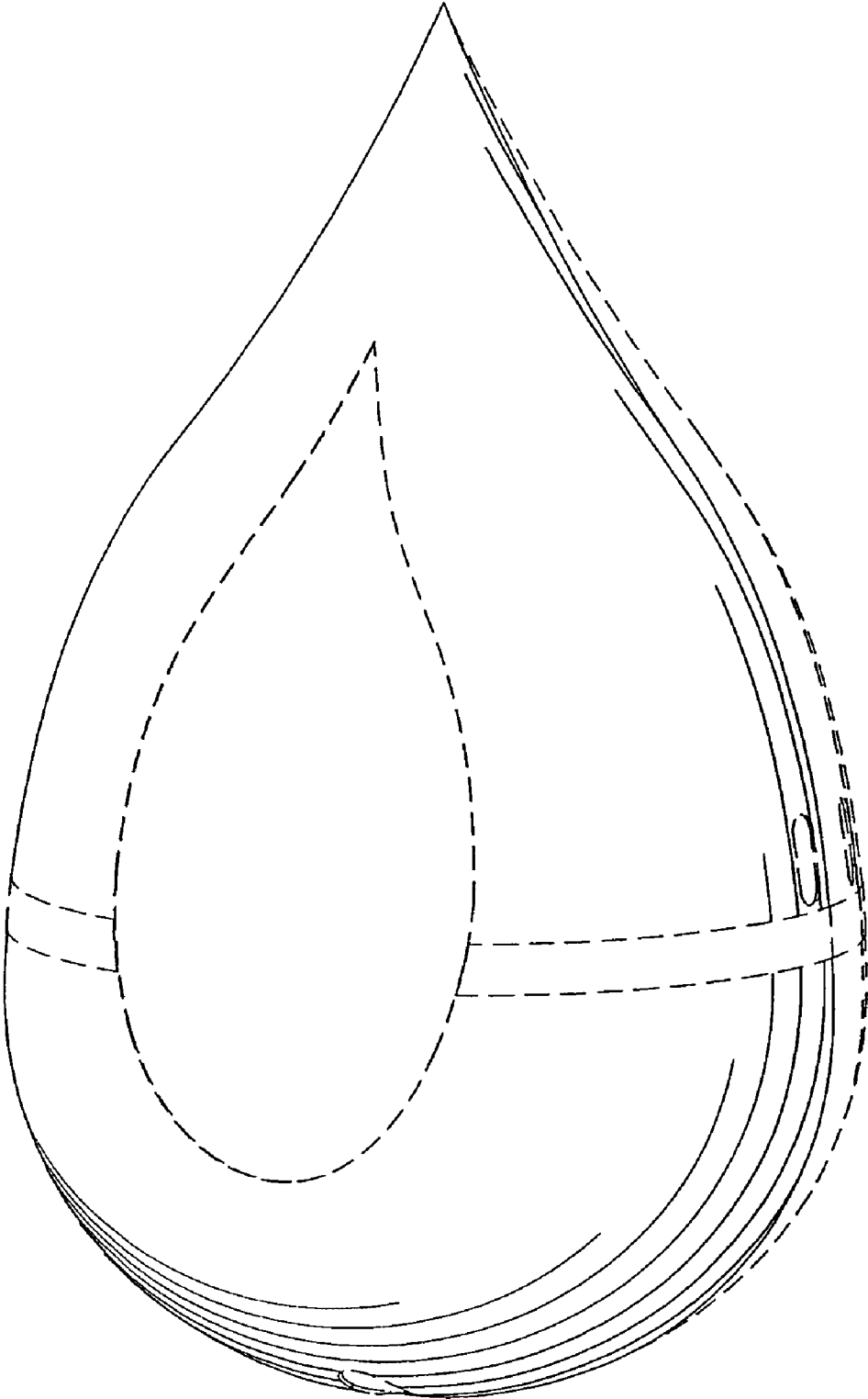


FIG. 1

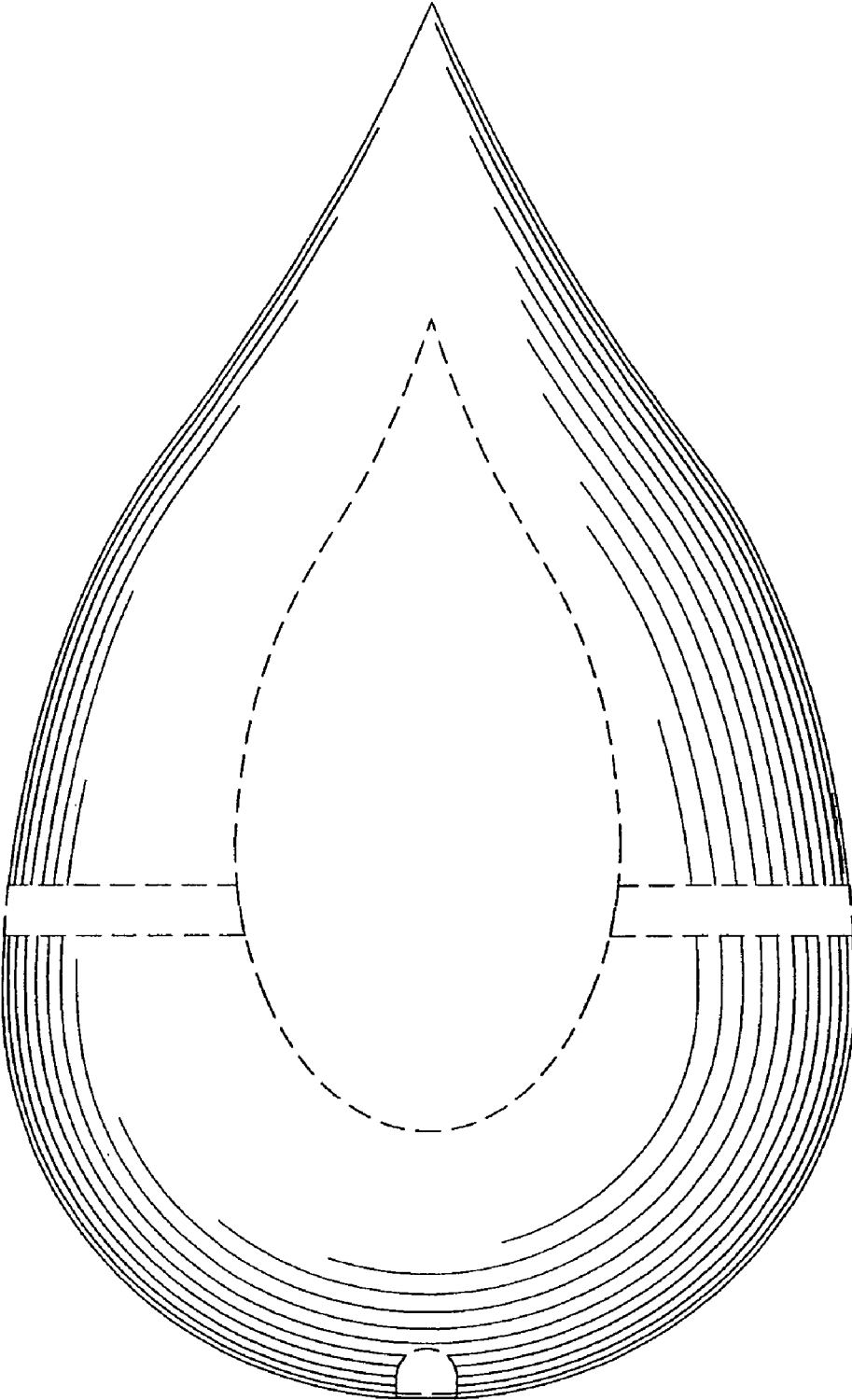


FIG. 2

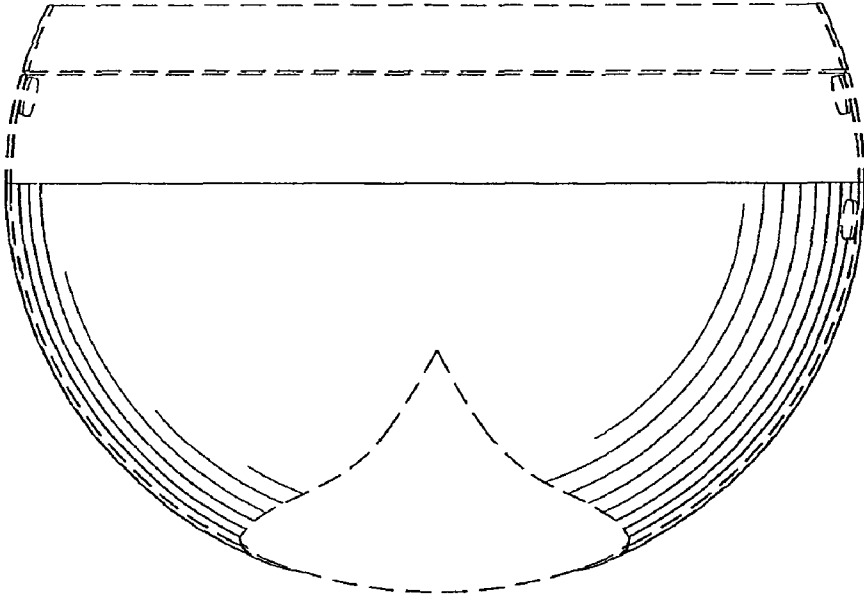


FIG. 3

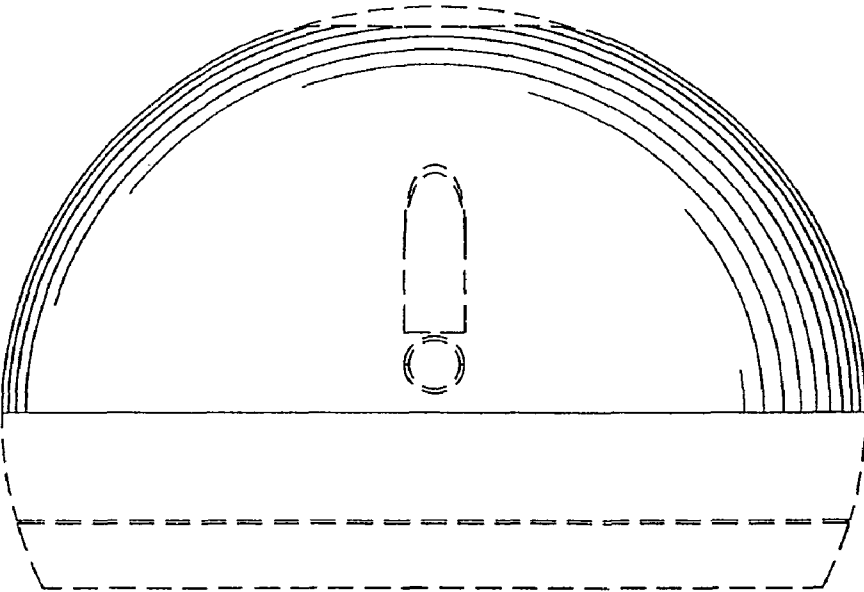


FIG. 4

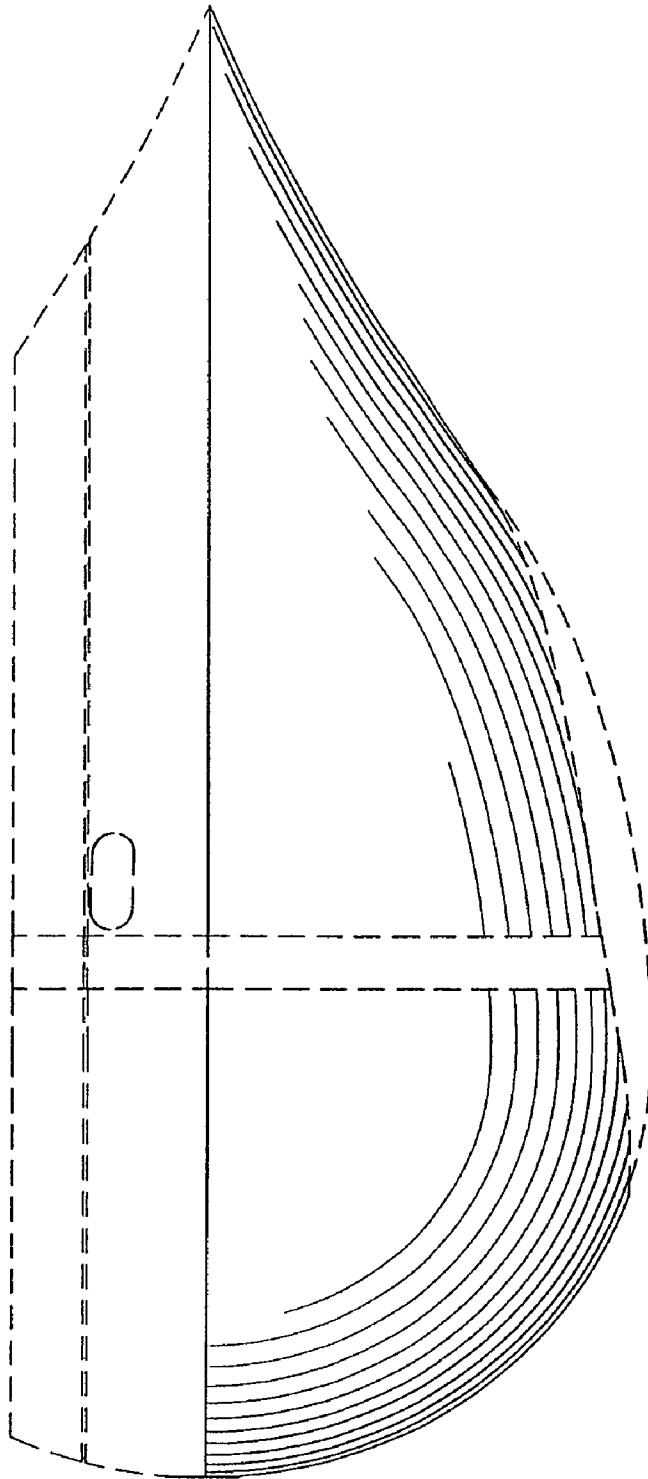


FIG. 5

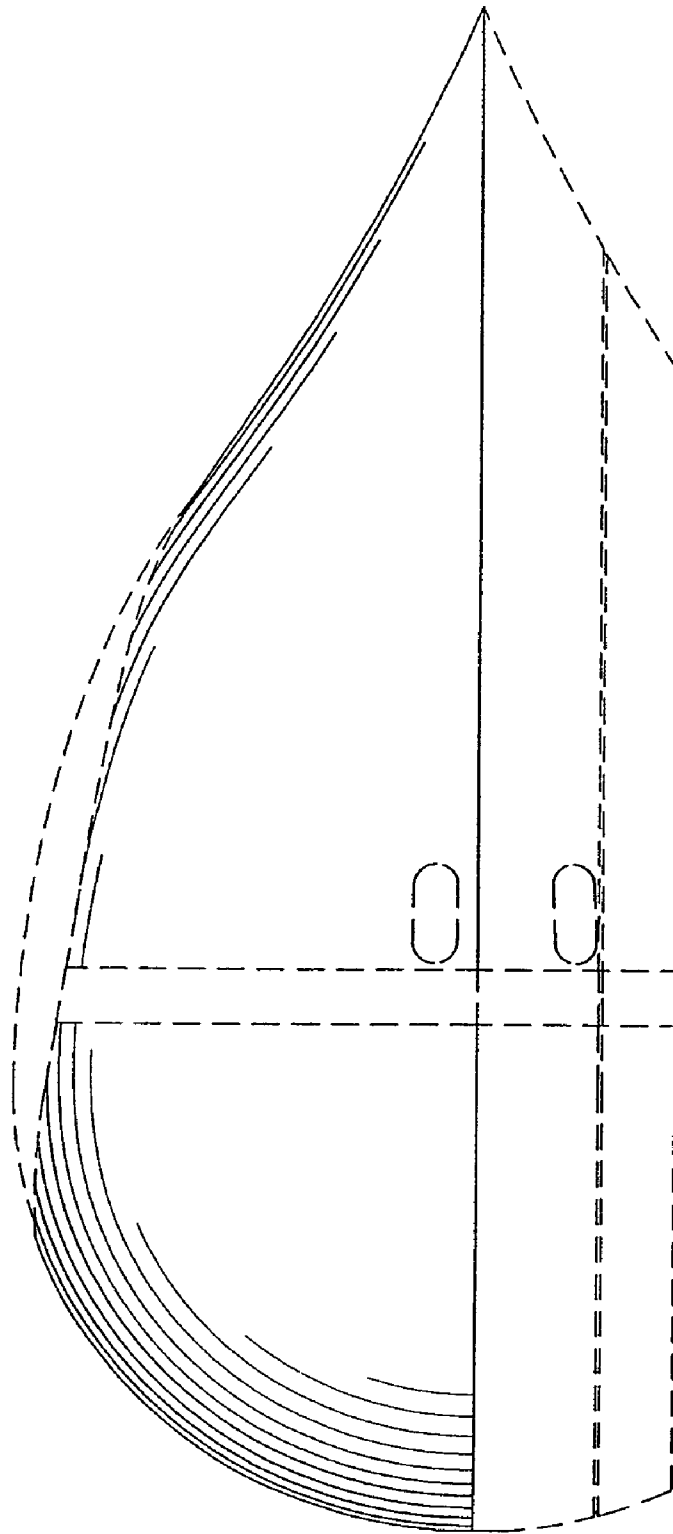


FIG. 6

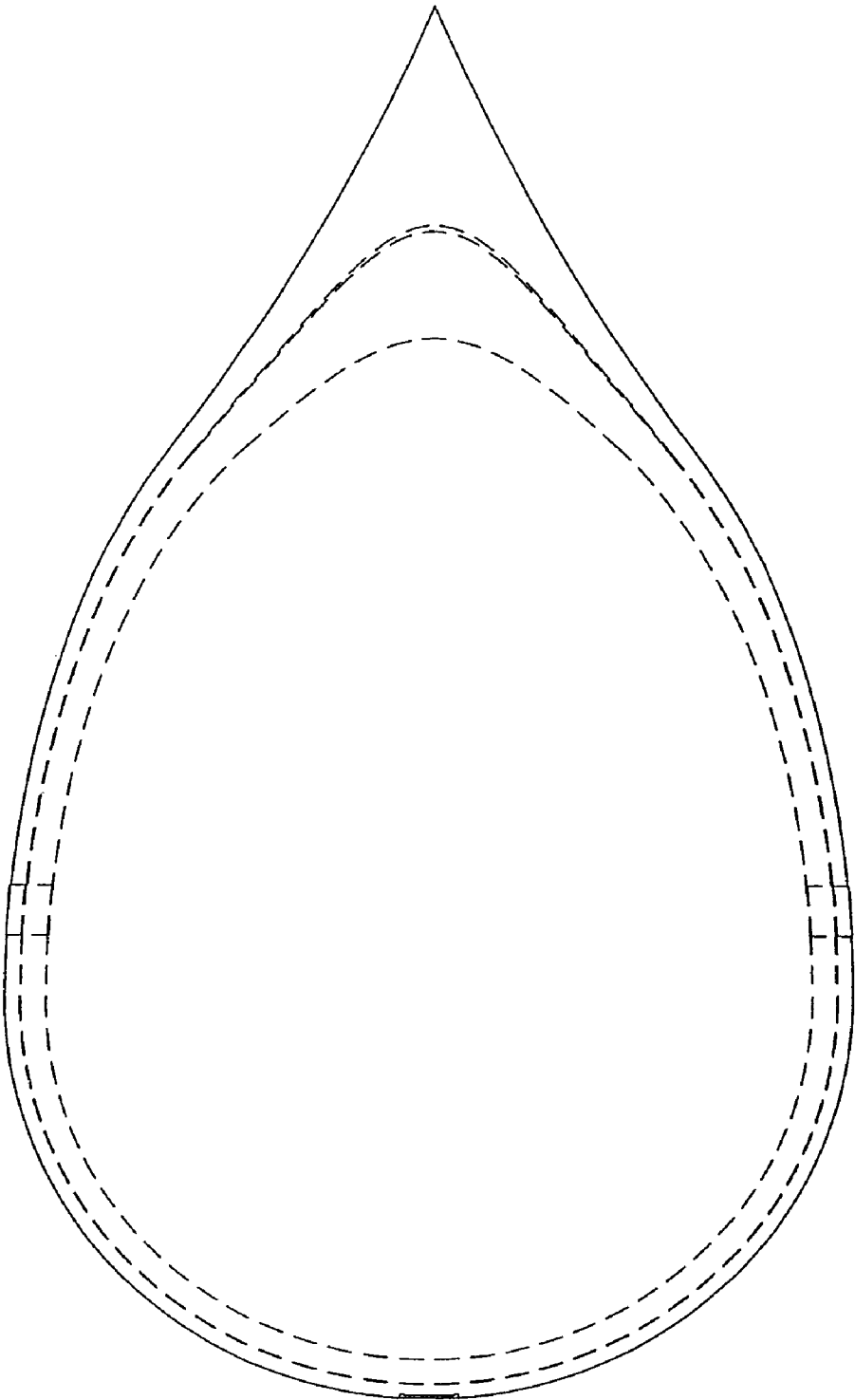


FIG. 7