

United States Patent [19]

Jones et al.

[11] Patent Number: Des. 308,213

[45] Date of Patent: ** May 29, 1990

[54] ELECTRIC ROBOT

[75] Inventors: Gary L. Jones, Madison Heights;
Robert J. Todd, Milford Township,
Oakland County; Norman N. Fender,
Hudson; Dale A. Wood, Canton, all
of Mich.; Alexander Bally, Carnegie,
Pa.

[73] Assignee: Graco Inc., Minneapolis, Minn.

[**] Term: 14 Years

[21] Appl. No.: 106,706

[22] Filed: Oct. 6, 1987

[52] U.S. Cl. D15/199

[58] Field of Search D15/199, 122; 901/23,
901/1; 414/735

[56]

References Cited

U.S. PATENT DOCUMENTS

D. 268,033	2/1983	Stackhouse	D15/199
D. 279,571	7/1985	Arai et al.	D15/199
D. 280,102	8/1985	Hicks	D15/199
D. 280,203	8/1985	Shibayama et al.	D15/199
D. 287,368	12/1986	Shibayama et al.	D15/199
D. 300,935	5/1989	Maddock et al.	D15/199

Primary Examiner—Carmen H. Vales-Lado

Assistant Examiner—Jeffrey Asch

[57]

CLAIM

The ornamental design for the electric robot, as shown and described.

DESCRIPTION

FIG. 1 is a right side perspective view of an electric robot showing our design;

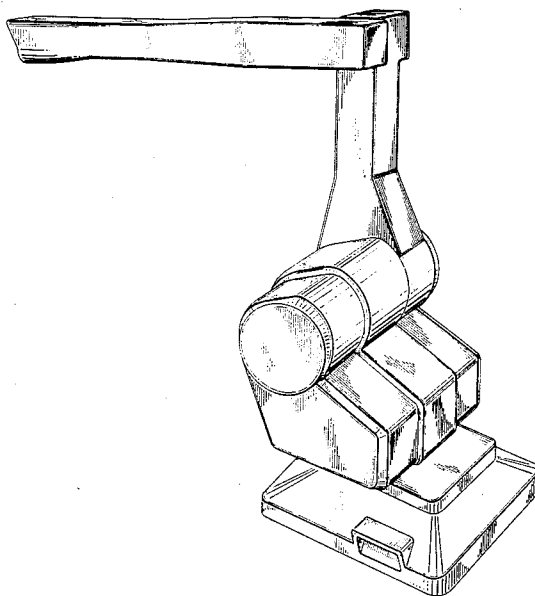
FIG. 2 is a front elevational view;

FIG. 3 is a left side elevational view;

FIG. 4 is a right side elevational view;

FIG. 5 is a top plan view; and

FIG. 6 is a rear elevational view thereof.



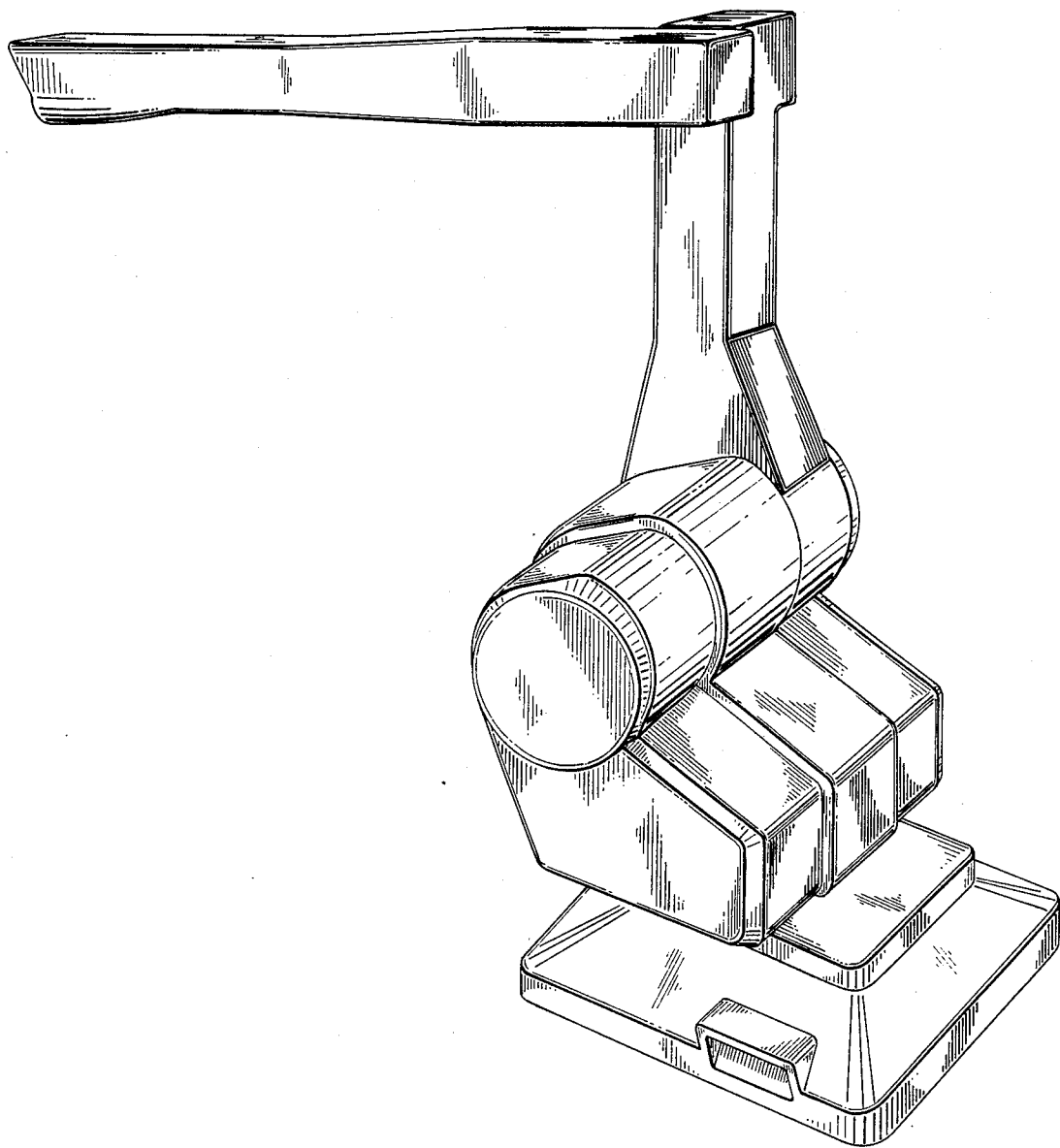


Fig. 1

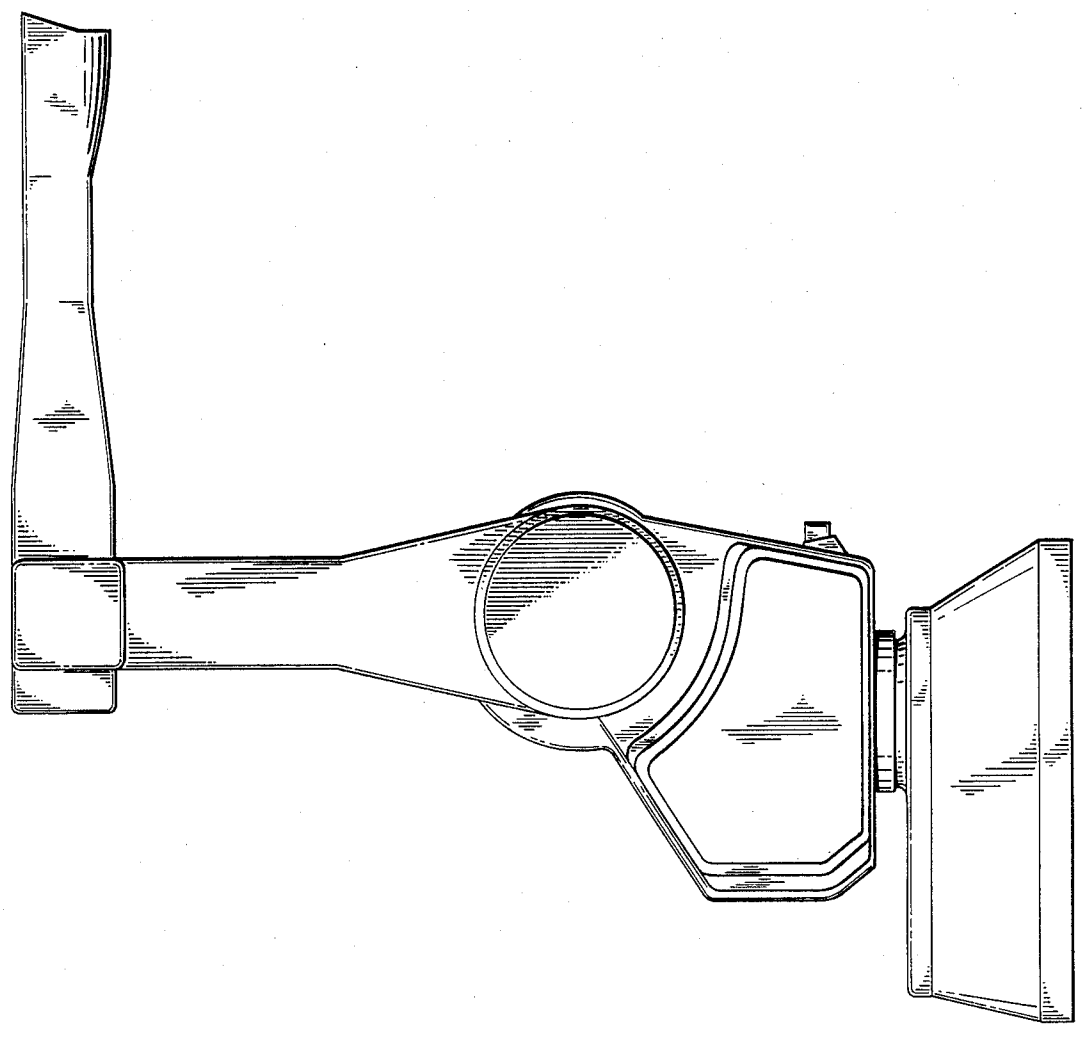


Fig. 2

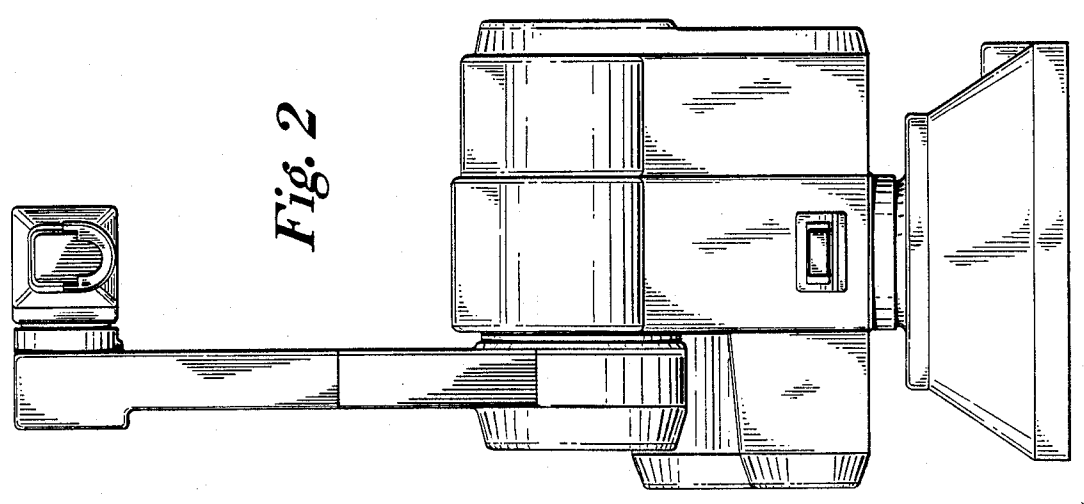


Fig. 3

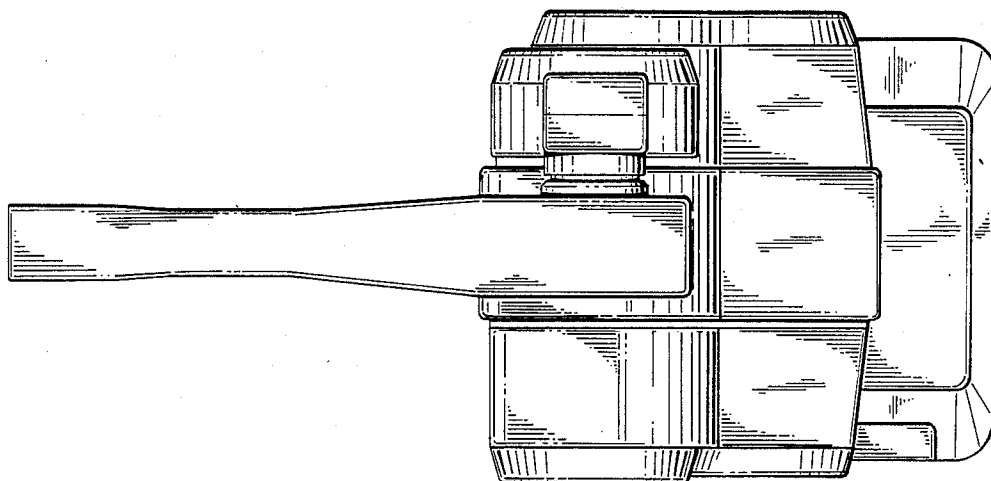


Fig. 5

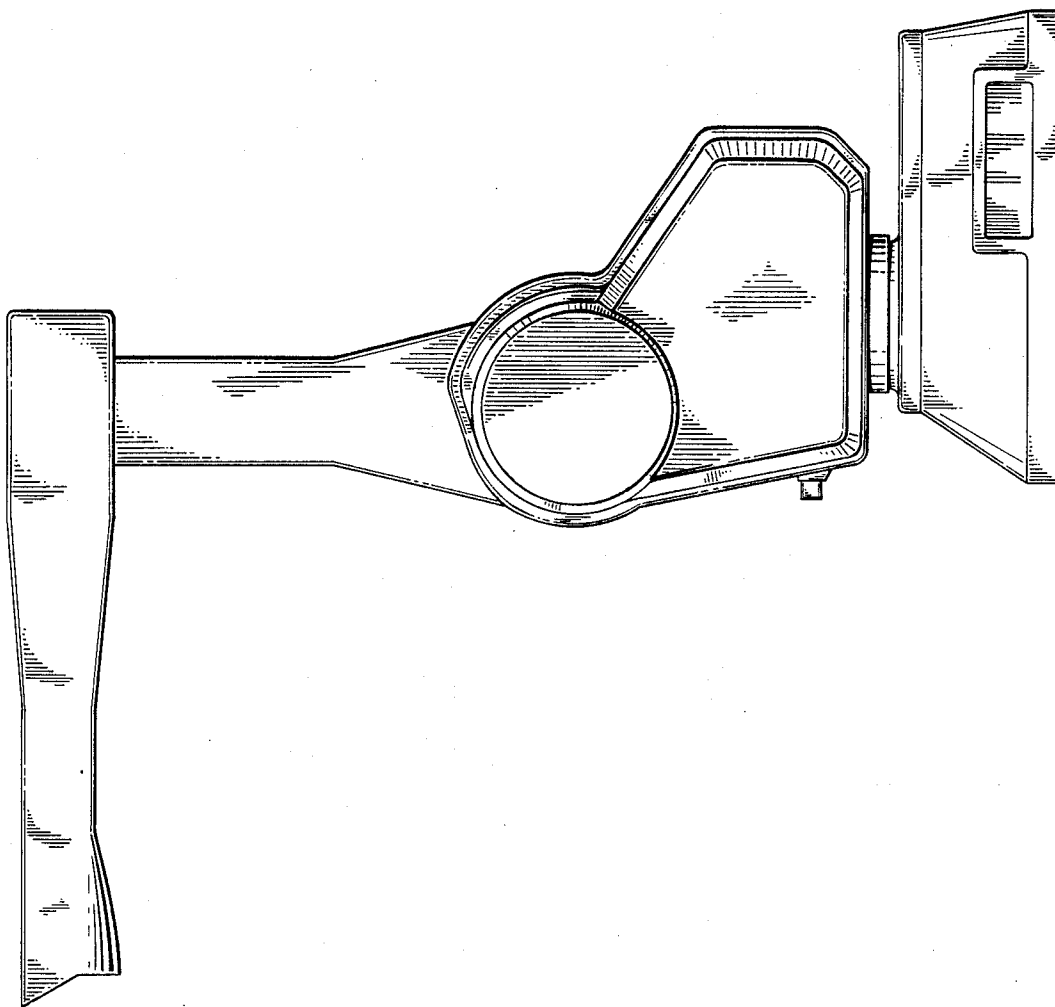


Fig. 4

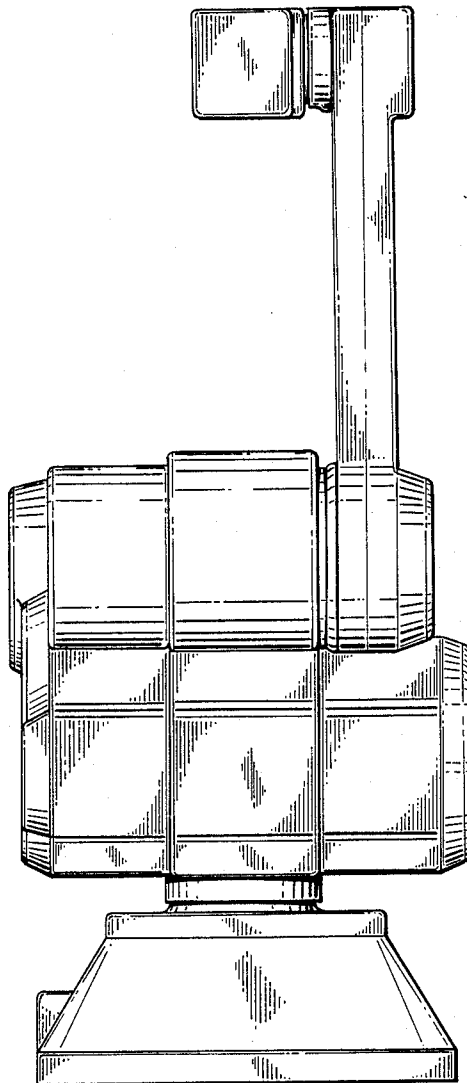


Fig. 6