



US00D714958S

(12) **United States Design Patent**  
**Smeja**

(10) **Patent No.:** **US D714,958 S**

(45) **Date of Patent:** **\*\* Oct. 7, 2014**

- (54) **BEVERAGE CAPSULE TRAY**
- (71) Applicant: **Limitless Innovations, Inc.**, McHenry, IL (US)
- (72) Inventor: **Michael V. Smeja**, Inverness, IL (US)
- (73) Assignee: **Limitless Innovations, Inc.**, McHenry, IL (US)
- (\*\*) Term: **14 Years**

- 5,207,150 A 5/1993 Wellman et al.
- D339,869 S \* 9/1993 Schea et al. .... D24/224
- D346,324 S \* 4/1994 Warren ..... D9/456
- D351,661 S \* 10/1994 Fischer ..... D24/230
- D359,125 S \* 6/1995 Livingston ..... D24/223
- 5,508,005 A \* 4/1996 Mathus ..... 422/551

(Continued)

*Primary Examiner* — T. Chase Nelson  
*Assistant Examiner* — Mark Cavanna  
 (74) *Attorney, Agent, or Firm* — Neal, Gerber & Eisenberg LLP

- (21) Appl. No.: **29/470,583**
  - (22) Filed: **Oct. 23, 2013**
  - (51) **LOC (10) Cl.** ..... **24-02**
  - (52) **U.S. Cl.**  
USPC ..... **D24/230; D7/701**
  - (58) **Field of Classification Search**  
USPC ..... D24/185, 216–232, 127–128;  
D3/203.1–203.8, 304;  
D6/406.1–406.3, 406.6; D9/341, 345,  
D9/347, 348, 415, 418, 419, 430, 456,  
D9/732; 422/58, 99, 102, 104, 297, 400,  
422/560–564, 509, 521.1, 551;  
206/461–471, 526, 528, 531, 534–539;  
435/4; D7/701
- See application file for complete search history.

(57) **CLAIM**  
 The ornamental design for the beverage capsule tray, as shown and described.

**DESCRIPTION**

FIG. 1 is a perspective view of a first embodiment of a beverage capsule tray;  
 FIG. 2 is a bottom perspective view thereof;  
 FIG. 3 is a first side view thereof;  
 FIG. 4 is a second side view thereof;  
 FIG. 5 is a first end view thereof;  
 FIG. 6 is a second end view thereof;  
 FIG. 7 is a top plan view thereof;  
 FIG. 8 is a bottom plan view thereof;  
 FIG. 9 is a perspective view of a second embodiment of a beverage capsule tray;  
 FIG. 10 is a bottom perspective view of the beverage capsule tray shown in FIG. 9;  
 FIG. 11 is a side view of the beverage capsule tray shown in FIG. 9;  
 FIG. 12 is a top perspective view of a third embodiment of a beverage capsule tray;  
 FIG. 13 is a bottom perspective view of the beverage capsule tray shown in FIG. 12; and  
 FIG. 14 is a side view of the beverage capsule tray shown in FIG. 12.  
 The broken lines in the drawings illustrate the portions of the design that form no part of the claim.

- (56) **References Cited**  
U.S. PATENT DOCUMENTS
- D192,672 S \* 4/1962 Jenkins ..... D24/230
- 3,908,877 A 9/1975 Kosisky
- D245,118 S \* 7/1977 Heaton ..... D24/230
- D249,706 S \* 9/1978 Adamski ..... D24/230
- D268,130 S \* 3/1983 Easton ..... D24/230
- 4,446,982 A 5/1984 Corse
- D282,579 S \* 2/1986 Juergens ..... D24/230
- D283,163 S \* 3/1986 Pandya ..... D24/230
- D283,164 S \* 3/1986 Pandya ..... D24/230
- 4,599,314 A 7/1986 Shami
- D325,975 S \* 5/1992 Grade et al. .... D24/230
- D332,397 S \* 1/1993 Schea et al. .... D24/227

**1 Claim, 11 Drawing Sheets**



(56)

**References Cited**

U.S. PATENT DOCUMENTS

D411,308 S *	6/1999	Pandey et al. ....	D24/216	D596,758 S *	7/2009	Constable .....	D24/230
D413,677 S *	9/1999	Dumitrescu et al. ....	D24/227	D598,566 S *	8/2009	Allaer .....	D24/230
D421,130 S *	2/2000	Cohen et al. ....	D24/229	D608,458 S *	1/2010	Carlson .....	D24/230
D438,632 S *	3/2001	Miller .....	D24/224	D632,404 S *	2/2011	Karpiloff .....	D24/230
D438,633 S *	3/2001	Miller .....	D24/224	D638,137 S *	5/2011	Gross et al. ....	D24/227
D448,854 S *	10/2001	Kuiper et al. ....	D24/230	D653,767 S *	2/2012	Lovshe .....	D24/230
D450,130 S *	11/2001	Goldstein .....	D24/227	D684,276 S *	6/2013	Hudson et al. ....	D24/226
D484,989 S *	1/2004	Gebrian .....	D24/230	D694,906 S *	12/2013	Priebe et al. ....	D24/229
D589,626 S *	3/2009	Petersen .....	D24/230	D695,134 S *	12/2013	Priebe et al. ....	D9/732
D596,312 S *	7/2009	Giraud et al. ....	D24/230	2007/0190522 A1 *	8/2007	Somack et al. ....	435/4
				2011/0226656 A1 *	9/2011	Archambault et al. ....	206/521.1
				2012/0298604 A1	11/2012	Fuhrer et al.	
				2012/0313496 A1	12/2012	Marshall et al.	

\* cited by examiner

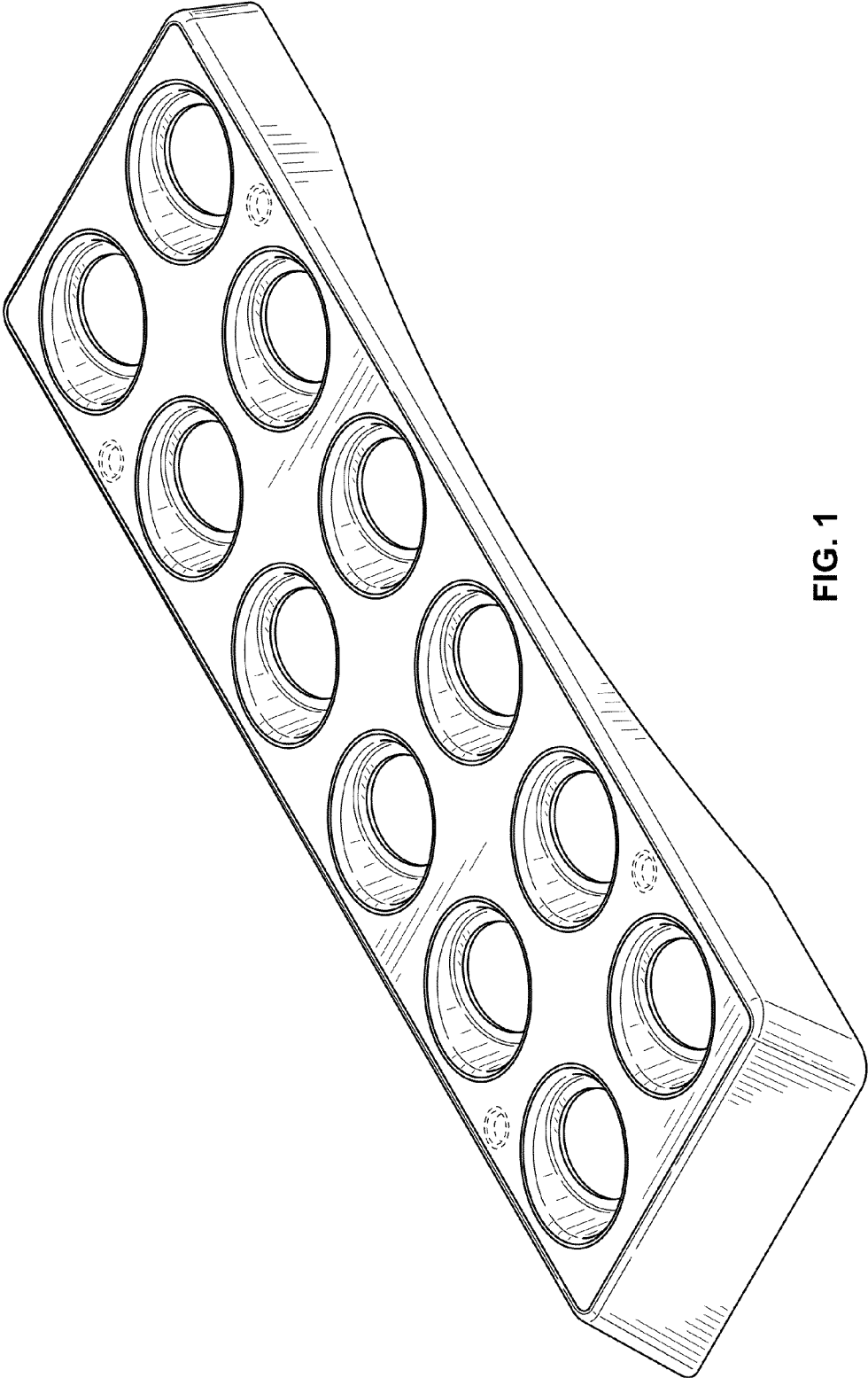


FIG. 1

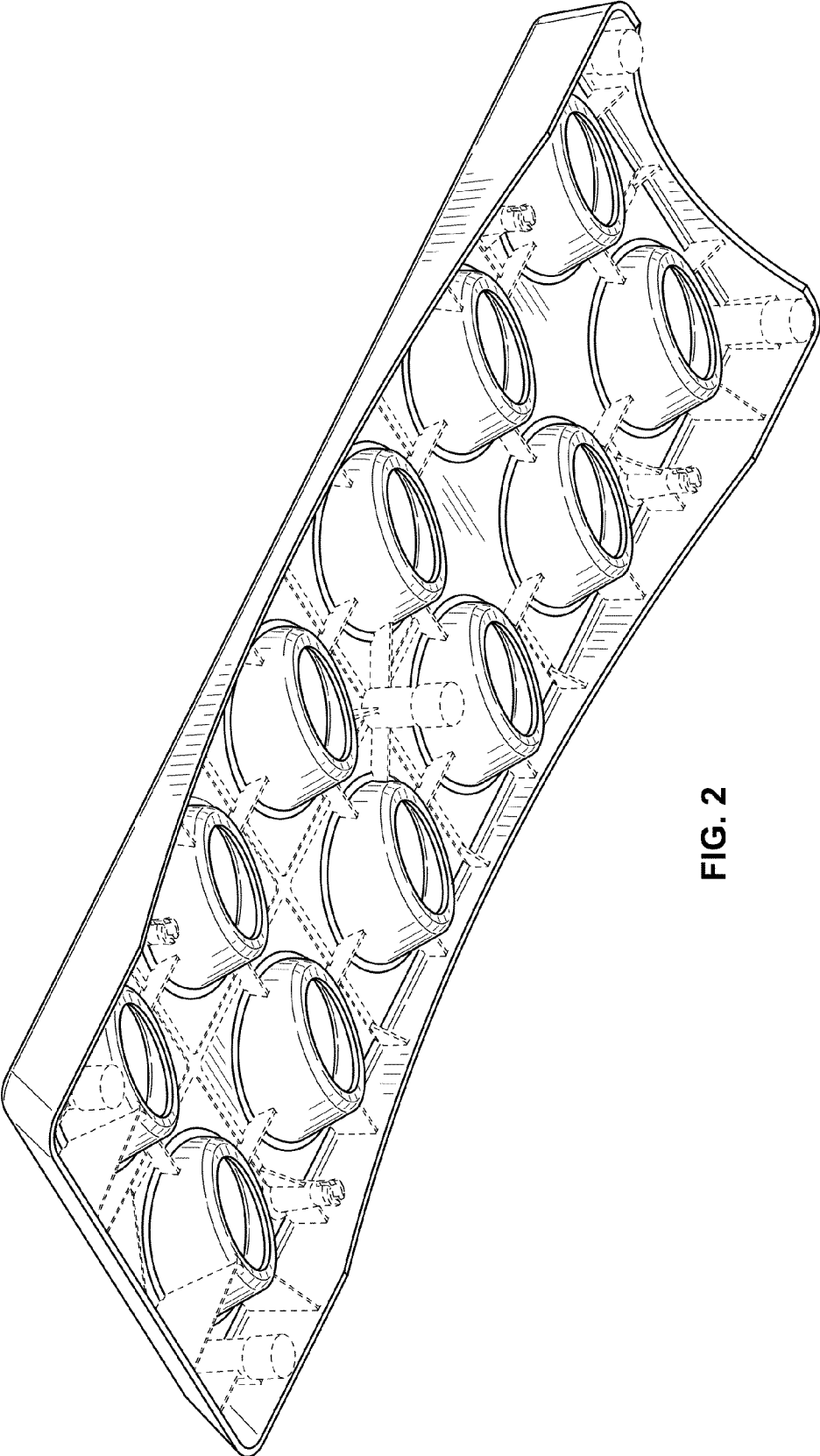


FIG. 2

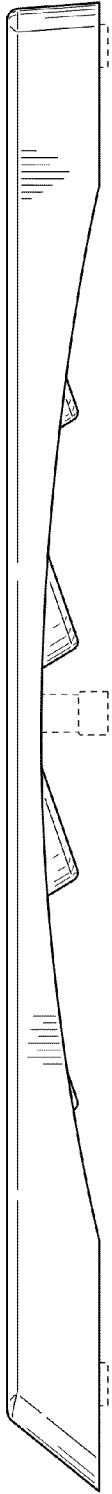


FIG. 3

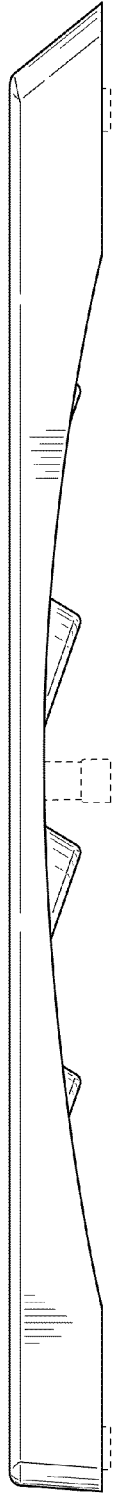


FIG. 4



FIG. 5

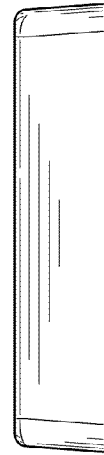


FIG. 6

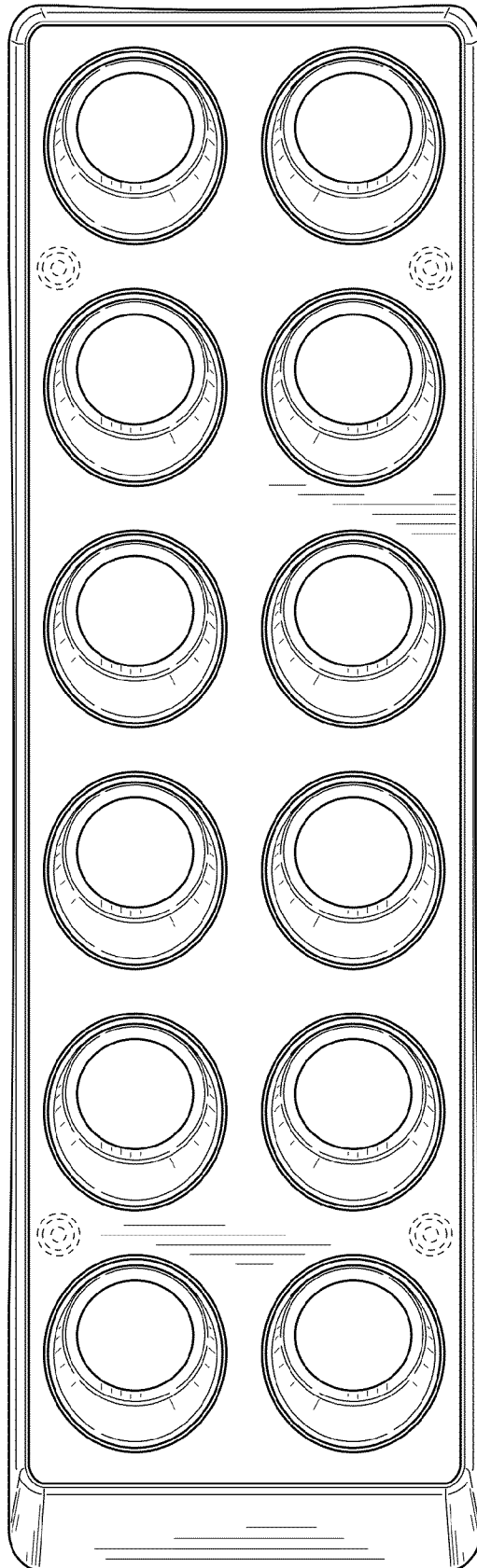


FIG. 7

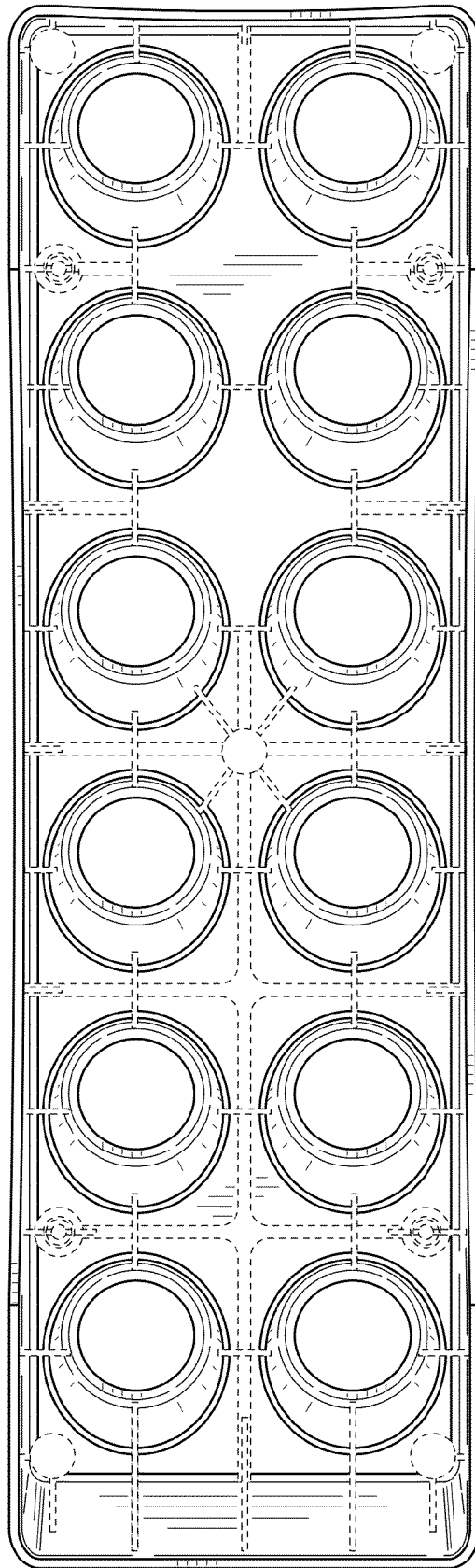


FIG. 8

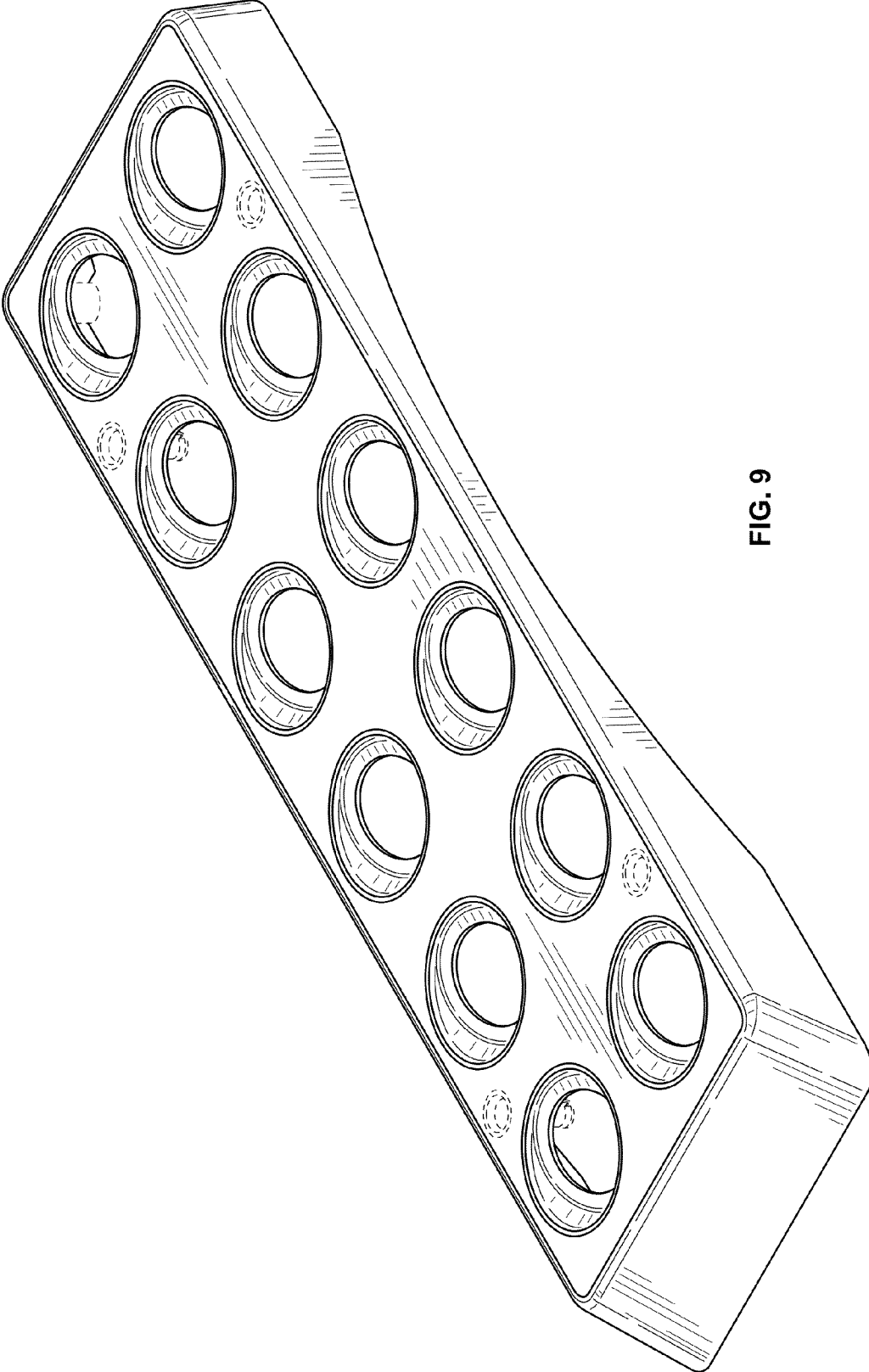


FIG. 9

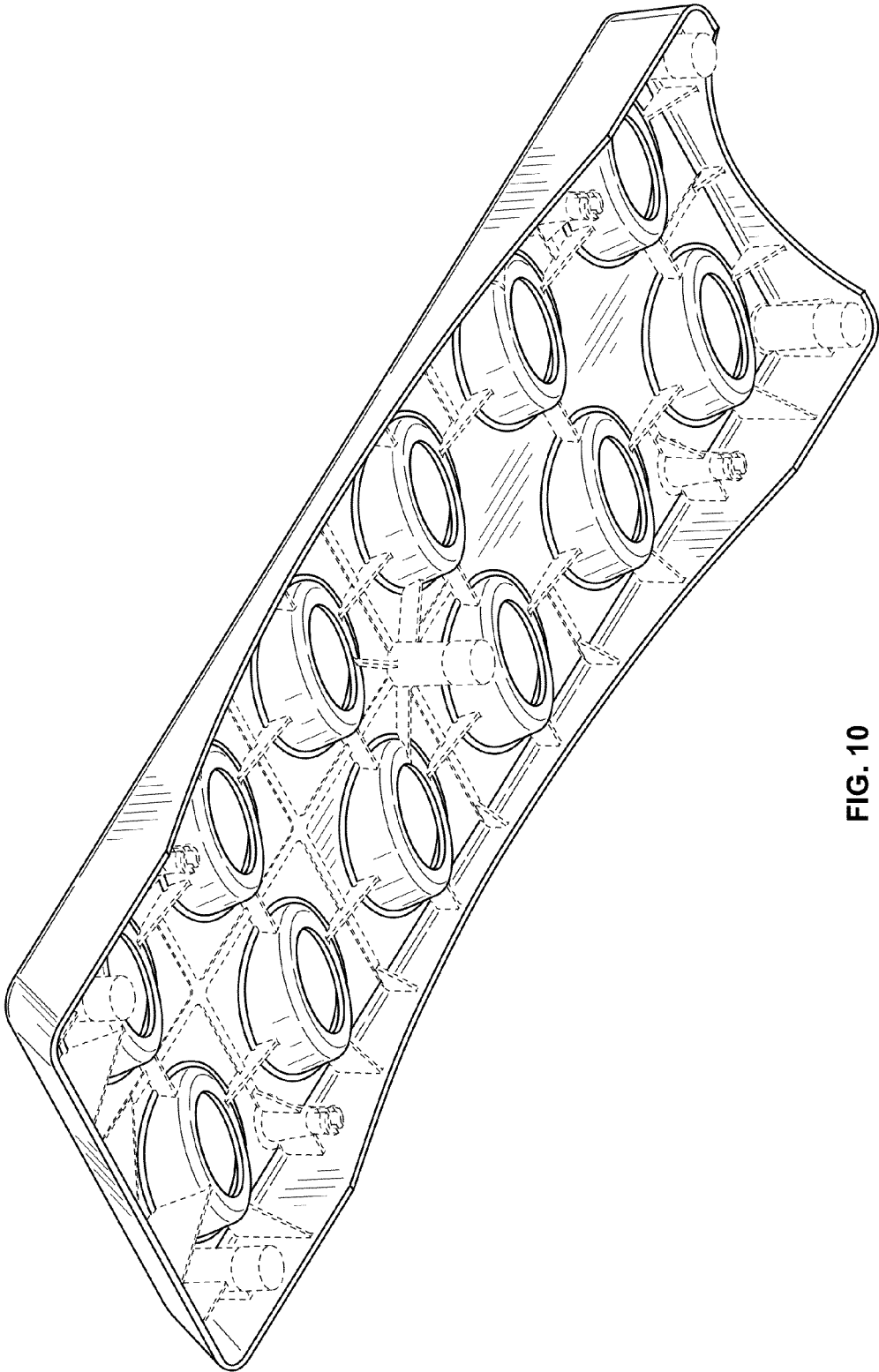


FIG. 10



FIG. 11

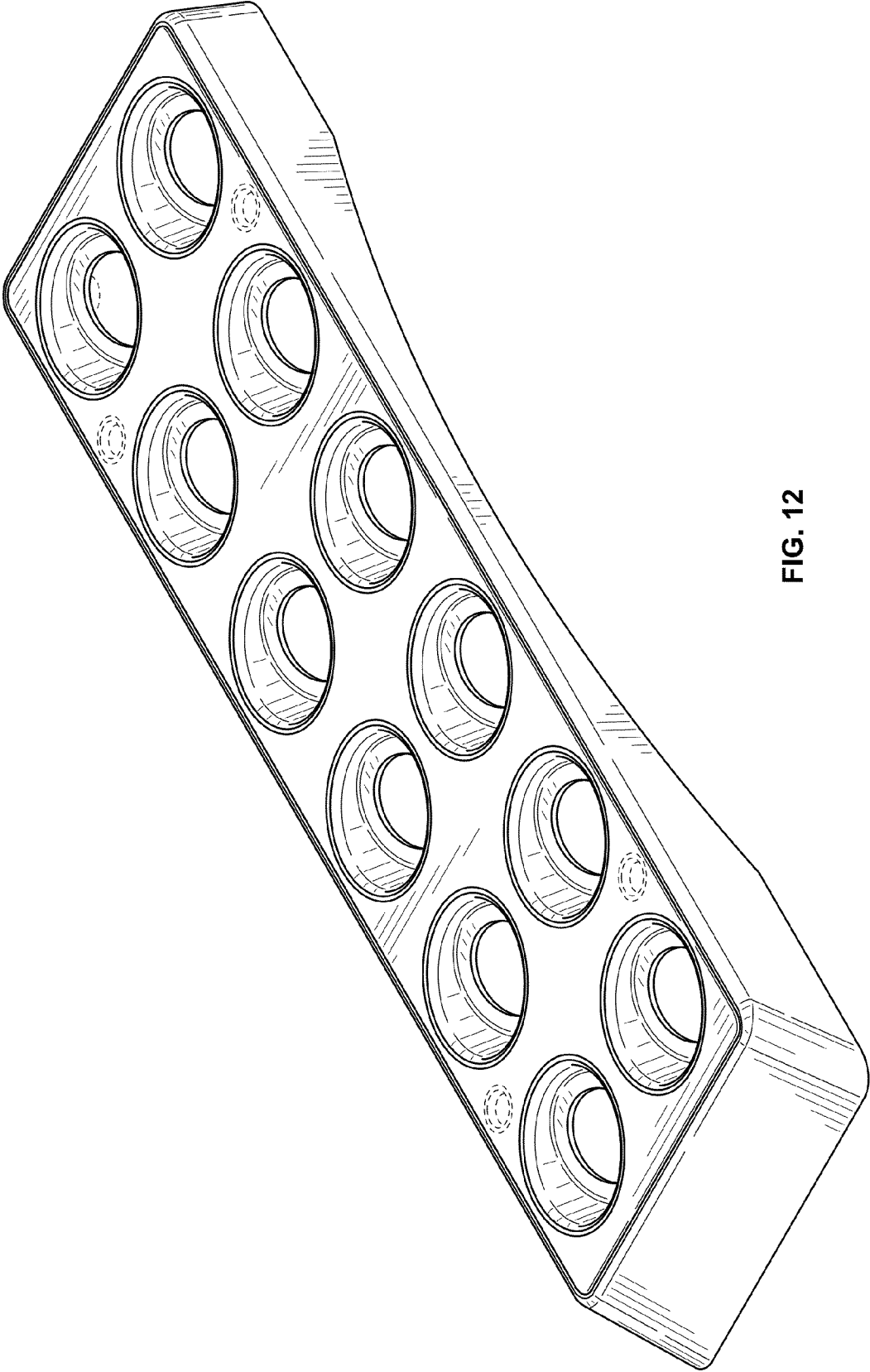


FIG. 12

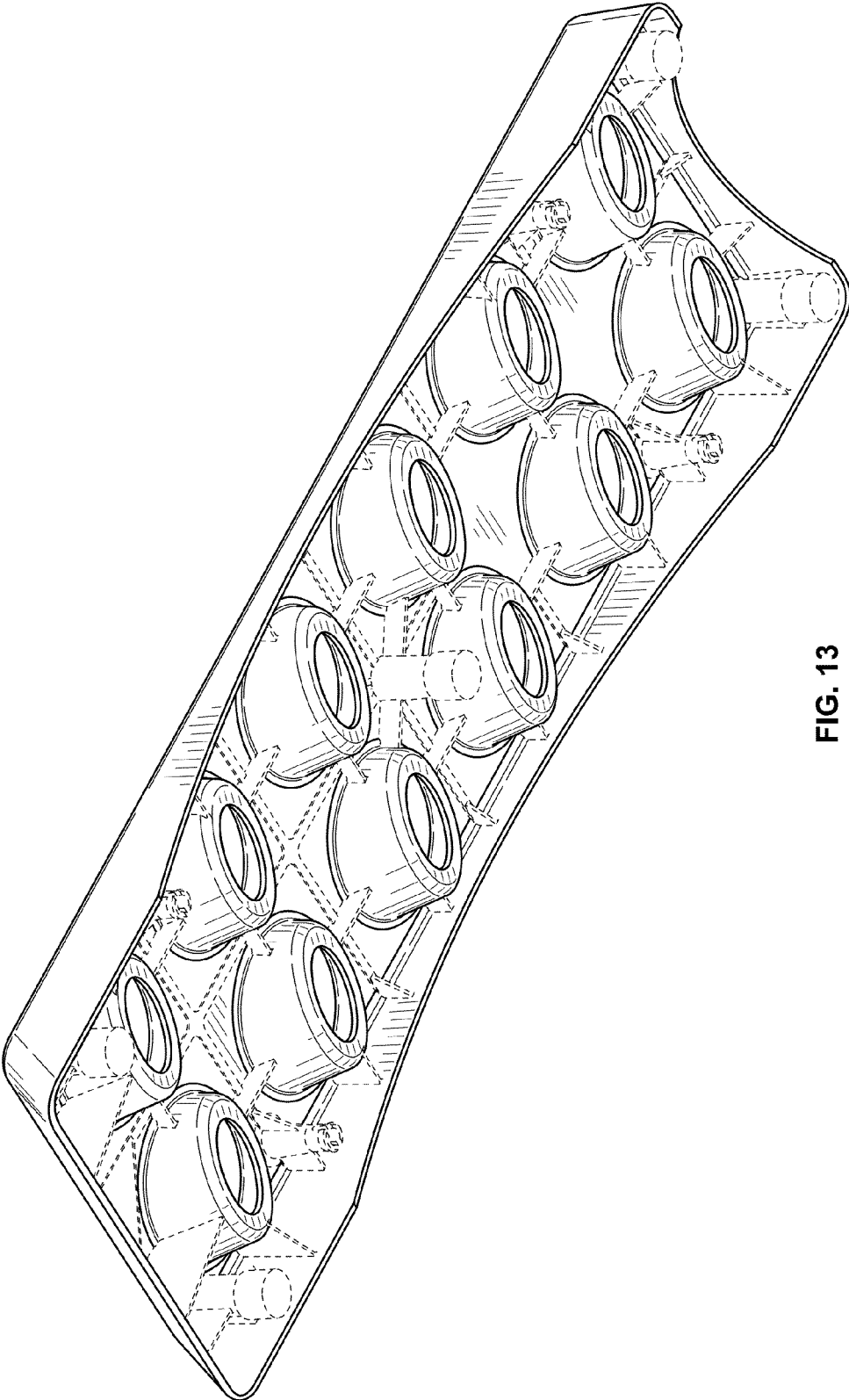


FIG. 13

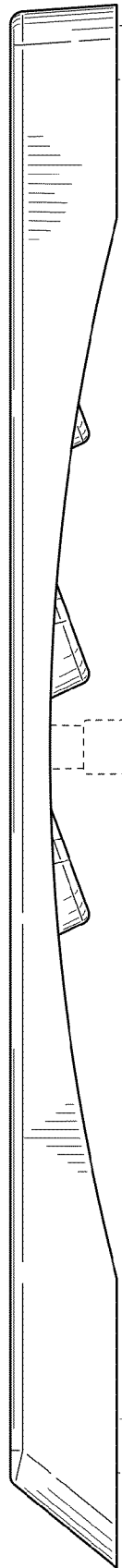


FIG. 14