

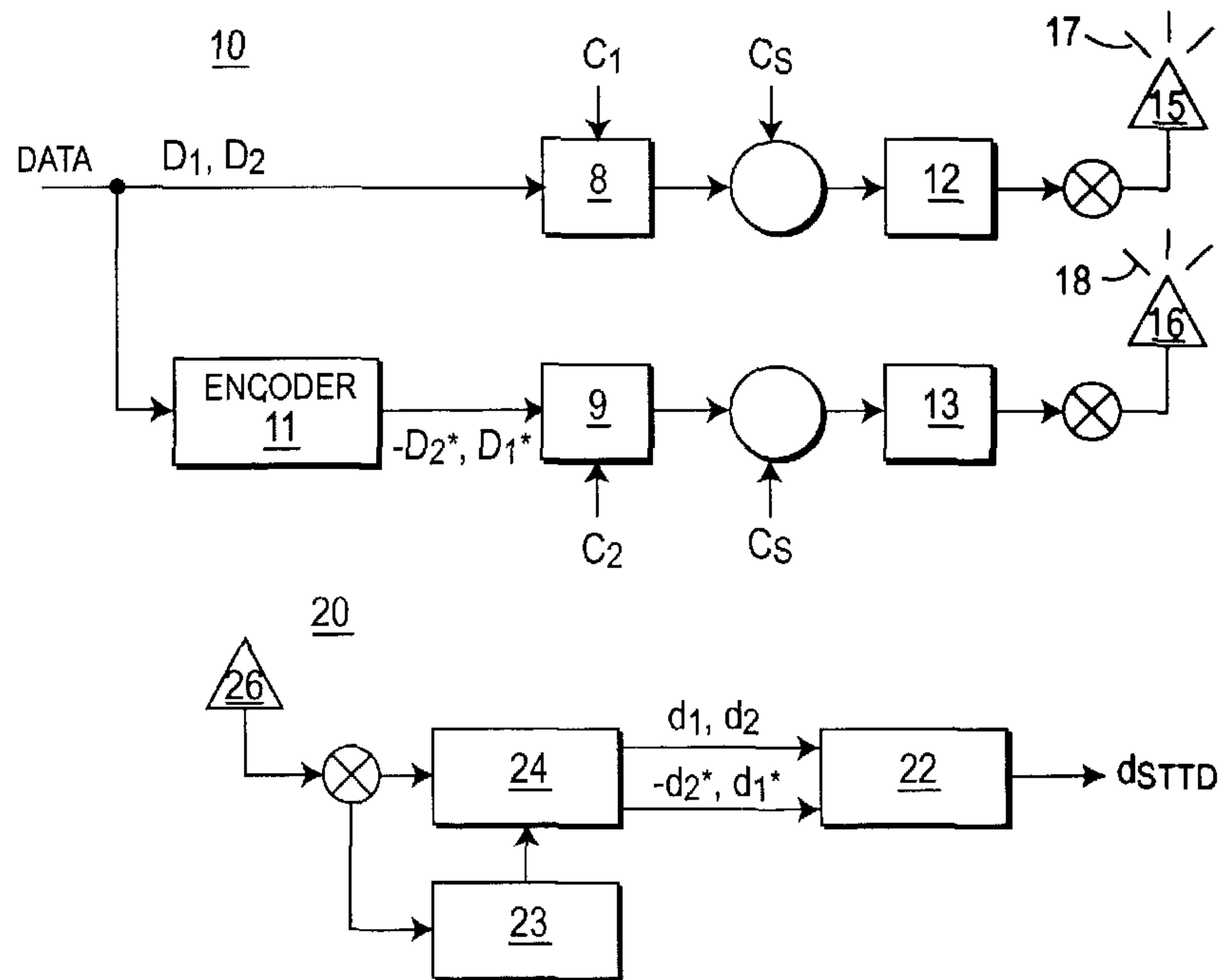


(86) Date de dépôt PCT/PCT Filing Date: 2001/12/05
 (87) Date publication PCT/PCT Publication Date: 2002/06/13
 (85) Entrée phase nationale/National Entry: 2003/06/03
 (86) N° demande PCT/PCT Application No.: US 2001/046603
 (87) N° publication PCT/PCT Publication No.: 2002/047278
 (30) Priorité/Priority: 2000/12/07 (60/254,013) US

(51) Cl.Int.⁷/Int.Cl.⁷ H04L 1/06, H04B 1/707, H04L 25/02
 (71) Demandeur/Applicant:
INTERDIGITAL TECHNOLOGY CORPORATION, US
 (72) Inventeurs/Inventors:
KIM, YOUNGLOK, US;
ZEIRA, ARIELA, US
 (74) Agent: RIDOUT & MAYBEE LLP

(54) Titre : DIVERSITE D'EMISSION PAR BLOCS SPATIO-TEMPORELS SIMPLES UTILISANT DES CODES D'ETALEMENT MULTIPLES

(54) Title: SIMPLE BLOCK SPACE TIME TRANSMIT DIVERSITY USING MULTIPLE SPREADING CODES



(57) Abrégé/Abstract:

The present invention is a system and method for use in a CDMA communication system including a plurality of base stations and user equipment (UE), each for communicating with each other. The base station has a transmitter which includes a first and second antenna for transmitting a data field of symbols. The first spreading device spreads the first data field using a first channelization code and the second spreading device spreads the second data field using a second channelization code, each channelization code being uniquely associated with one of the first and second antennas. The UE has a receiver for receiving a signal including the first and second spread data fields. The UE includes a joint detection device for detecting the symbols of the first and second data fields using the first and second channelization codes and a decoder for decoding the detected data fields to generate a single data field of symbols.

(12) INTERNATIONAL APPLICATION PUBLISHED UNDER THE PATENT COOPERATION TREATY (PCT)

(19) World Intellectual Property Organization
International Bureau(43) International Publication Date
13 June 2002 (13.06.2002)

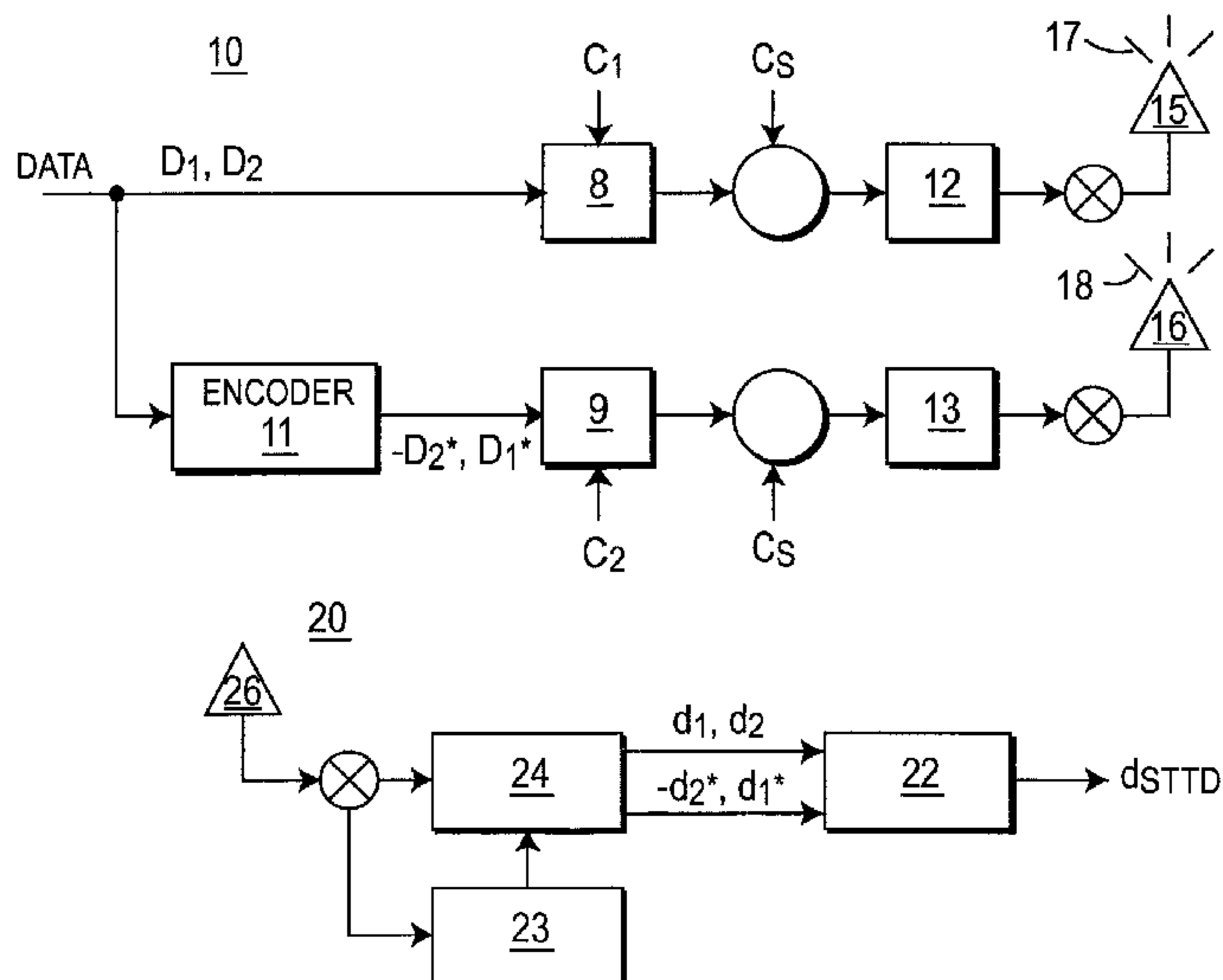
PCT

(10) International Publication Number
WO 02/047278 A3

- (51) International Patent Classification⁷: H04L 1/06, H04B 1/707, H04L 25/02
- (21) International Application Number: PCT/US01/46603
- (22) International Filing Date: 5 December 2001 (05.12.2001)
- (25) Filing Language: English
- (26) Publication Language: English
- (30) Priority Data:
60/254,013 7 December 2000 (07.12.2000) US
- (71) Applicant: INTERDIGITAL TECHNOLOGY CORPORATION [US/US]; 300 Delaware Avenue, Suite 527, Wilmington, DE 19801 (US).
- (72) Inventors: KIM, Younglok; 1090 Kingsland Lane, Fort Lee, NJ 07024 (US). ZEIRA, Ariela; 239 West Neck Road, Huntington, NY 11743 (US).
- (74) Agents: VOLPE, Anthony, S. et al.; Volpe and Koenig, P.C., Suite 400, One Penn Center, 1617 John F. Kennedy Boulevard, Philadelphia, PA 19103 (US).
- (81) Designated States (*national*): AE, AG, AL, AM, AT, AU, AZ, BA, BB, BG, BR, BY, BZ, CA, CH, CN, CO, CR, CU, CZ, DE, DK, DM, DZ, EC, EE, ES, FI, GB, GD, GE, GH, GM, HR, HU, ID, IL, IN, IS, JP, KE, KG, KP, KR, KZ, LC, LK, LR, LS, LT, LU, LV, MA, MD, MG, MK, MN, MW, MX, MZ, NO, NZ, OM, PH, PL, PT, RO, RU, SD, SE, SG, SI, SK, SL, TJ, TM, TR, TT, TZ, UA, UG, UZ, VN, YU, ZA, ZW.
- (84) Designated States (*regional*): ARIPO patent (GH, GM, KE, LS, MW, MZ, SD, SL, SZ, TZ, UG, ZM, ZW), Eurasian patent (AM, AZ, BY, KG, KZ, MD, RU, TJ, TM), European patent (AT, BE, CH, CY, DE, DK, ES, FI, FR, GB, GR, IE, IT, LU, MC, NL, PT, SE, TR), OAPI patent (BF, BJ, CF, CG, CI, CM, GA, GN, GQ, GW, ML, MR, NE, SN, TD, TG).
- Published:
— with international search report
- (88) Date of publication of the international search report:
21 November 2002

[Continued on next page]

(54) Title: SIMPLE BLOCK SPACE TIME TRANSMIT DIVERSITY USING MULTIPLE SPREADING CODES



(57) Abstract: The present invention is a system and method for use in a CDMA communication system including a plurality of base stations and auser equipment (UE), each for communicating with each other. The base station has a transmitter which includes a first and second antenna for transmitting a data field of symbols. The first spreading device spreads the first data field using a first channelization code and the second spreading device spreads the second data field using a second channelization code, each channelization code being uniquely associated with one of the first and second antennas. The UE has a receiver for receiving a signal including the first and second spread data fields. The UE includes a joint detection device for detecting the symbols of the first and second data fields using the first and second channelization codes and a decoder for decoding the detected data fields to generate a single data field of symbols.



WO 02/047278 A3

WO 02/047278 A3



For two-letter codes and other abbreviations, refer to the "Guidance Notes on Codes and Abbreviations" appearing at the beginning of each regular issue of the PCT Gazette.

[0001] SIMPLE BLOCK SPACE TIME TRANSMIT
DIVERSITY USING MULTIPLE SPREADING CODES

[0002] BACKGROUND

[0003] The present invention relates to communications systems imploring code division multiple access (CDMA) techniques. More particularly, the present invention relates to a transmission diversity scheme which can be applied to a CDMA communication system

[0004] Spacial diversity has been proposed for support of very high data rate users within third generation wide band code division multiple access systems such as CDMA. Using multiple antennas, the systems achieve better gains and link quality, which results in increased system capacity. Classically, diversity has been exploited through the use of either beam steering or through diversity combining.

[0005] More recently, it has been realized that coordinated use of diversity can be achieved through the use of space-time codes. Such systems can theoretically increase capacity by up to a factor equaling the number of transmit and receive antennas in the array. Space-time block codes operate on a block of input symbols producing a matrix output over antennas and time.

[0006] In the past, space-time transmit diversity systems have transmitted consecutive symbols simultaneously with their complex conjugates. This type of system, though may result in symbol overlap at the receiving end, with the amount of overlap being dependent on the length of the impulse response of the propagation channel. In time division duplex (TDD) mode, this symbol overlap will have to be accounted for in the joint detection receiver. The joint detector will have to estimate the transmitted symbols and their conjugates, resulting in an increase in complexity of the joint detection.

[0007] In order to alleviate this increase in joint detection, systems have been created which transmit two similar but different data fields. The first data field, having a first portion, D_1 , and a second portion, D_2 , is transmitted by the first antenna. A

I-2-176.1WO

conjugate of D_2 , $-D_2^*$, is the first portion of the second data field and the conjugate of D_1 , D_1^* , is the second portion. The second data field is simultaneously transmitted by the second antenna. This type of system results in the joint detection implemented at the receiver needing only to estimate the same amount of symbols as in the case of a single transmit antenna. A block diagram of this system is illustrated in Figure 1.

[0008] Although the above system reduces the complexity of joint detection for a single data block, joint detection requires the use of two joint detectors at the receiver in a system employing two transmit diversity antennas. Each joint detection device estimates the data from one of the antennas. The estimated data is combined to produce the original data. Therefore, the receiver in such a system has a high complexity resulting in higher receiver expense.

[0009] U.S. Patent No. 5,652,764 discloses a radio communication system using two transmission antennas. Data to be transmitted is mixed with a first and second orthogonal code. The first mixed data is transmitted by a first antenna and the second mixed data is transmitted by a second antenna. A receiver receives the data transmitted by each antenna. A first matched filter matched to the first orthogonal code filters the received data and a second matched filter matched to the second orthogonal code filters the received data. A result of both matched filters is combined to recover the original data.

[00010] Accordingly, there exists a need for a transmit diversity system requiring less complexity and receiver expense.

[00011] SUMMARY

[00012] The present invention is a system and method for use in a CDMA communication system including a plurality of base stations and a user equipment (UE), each for communicating with each other. The base station has a transmitter which includes a first and second antenna for transmitting a data field of symbols. The first spreading device spreads the first data field using a first channelization code and the second spreading device spreads the second data field using a second channelization code, each channelization code being uniquely associated with one of

I-2-176.1WO

the first and second antennas. The UE has a receiver for receiving a signal including the first and second spread data fields. The UE includes a joint detection device for detecting the symbols of the first and second data fields using the first and second channelization codes and a decoder for decoding the detected data fields to generate a single data field of symbols.

[00012] BRIEF DESCRIPTION OF THE DRAWINGS

[00013] Figure 1 is a block diagram of a prior art communication system employing space-time transmit diversity.

[00014] Figure 2 is a block diagram of a transmitter and receiver in a communication system in accordance with the preferred embodiment of the present invention.

[00015] Figure 3 is a flow diagram of the transmit diversity system of the present invention.

[00016] Figure 4 is a graph of the performance of the transmit diversity system of the present invention.

[00017] Figure 5 is a block diagram of a transmitter and receiver in a communication system in accordance with an alternative embodiment of the present invention.

[00018] Figure 6 is a flow diagram of an alternative transmit diversity system of the present invention.

[00019] DETAILED DESCRIPTION OF THE PREFERRED EMBODIMENTS

[00020] Figure 2 is a block diagram of a transmitter 10, preferably located at a base station, and a receiver 20, preferably located at a user equipment (UE), in a CDMA communication system in accordance with the preferred embodiment of the present invention. Although it is preferable to have the transmitter located at a base station and the receiver located at the UE, the receiver and transmitter may switch locations and the present invention operate on an uplink communication. The transmitter 10 comprises a block encoder 11, a plurality of channelization devices 8, 9, a plurality of spreading sequence insertion devices 12, 13, and a plurality of antennas 15, 16. Although Figure 1 illustrates a transmitter comprising two (2) antennas, it should be apparent to those having skill in the art that more than two (2) antennas may

be used, such as N antennas.

[00021] A typical communication burst has two data fields separated by a midamble sequence. Preferably, the same encoding procedure, as discussed in the following, for one data field is also performed on the other data field. Data to be transmitted by the transmitter 10 is produced by a data generator (not shown). The resulting data symbols ($S_1, S_2, \dots, S_{N/2}$), ($S_{N/2+1}, S_{N/2+2}, \dots, S_N$) of the first data field, which can be represented by sub-data fields D_1 and D_2 , are input into the block encoder 11, preferably a block space-time transmit diversity (BSTTD) encoder. The block encoder 11 encodes the input symbols and generates the complex conjugate of D_1 and the negation of the conjugate of D_2 : D_1^* , $-D_2^*$. The encoder 11 also changes the order of the symbols so that $-D_2^*$ is ahead of D_1^* . Preferably, an analogous encoding of the second data field is also performed.

[00022] In accordance with the preferred embodiment of the present invention, the data fields, D_1 , D_2 and $-D_2^*$, D_1^* are forwarded to a first and second channelization device 8, 9, respectively. The first channelization device 8 spreads the data blocks D_1 , D_2 by a first channelization code, and $-D_2^*$, D_1^* by the second channelization device 9 using a second different channelization code. Each of the spread data blocks from the first and second channelization devices 8, 9 are then scrambled by the scrambling code associated with the transmitter 10.

[00023] Once the symbols D_1 , D_2 , $-D_2^*$, D_1^* have been scrambled, they are mixed with a first and second midamble through training sequence insertion devices 12, 13, producing two communication bursts 17, 18. The two bursts 17, 18 are modulated and simultaneously transmitted to the receiver 20 over antenna 15 and diversity antenna 16, respectively.

[00024] The receiver 20 comprises a joint detection device (JD) 24, a BSTTD decoder 22, a channel estimation device 23 and an antenna 26. The antenna 26 of the UE receives various RF signals including the communication bursts 17, 18 from the transmitter 10. The RF signals are then demodulated to produce a baseband signal.

[00025] The baseband signal is then forwarded to the joint detection device 24 and the channel estimation device 23. As those skilled in the art know, the channel estimation device 23 provides channel information, such as channel impulse responses, to the joint detection device 24.

[00026] The joint detection device 24, coupled to the channel estimation device 23 and BSTTD decoder 22, utilizes the channel information and the channelization codes to detect the soft data symbols d_1 , d_2 , $-d_2^*$, d_1^* in the received signal. The channel impulse response for each burst is determined using that burst's midamble sequence. Since each burst was transmitted using a different spreading code, the joint detection device 24 treats each burst as being transmitted by a different user. As a result, any joint detection device which can recover data from different transmitter sites may be used. Such joint detection devices include zero forcing block linear equalizers, detection devices using Cholesky or approximate Cholesky decomposition, as well as many others. The joint detection device 24 estimates the data symbols of each of the bursts 17, 18 output by the transmitter antennas 15, 16 and forwards the estimates to the BSTTD decoder 22.

[00027] The BSTTD decoder 22, coupled to the joint detection device 24, receives the estimated soft data symbols d_1 , d_2 and $-d_2^*$, d_1^* corresponding to the antennas 15, 16 and decodes the symbols to yield a single data field's soft symbols, d_{STTD} .

[00028] The flow diagram of the present invention is illustrated in Figure 3. A data generator generates data to be transmitted to the receiver 20 (step 301). Each data field is separated into two sub-data fields D_1 , D_2 (step 302). The sub-data fields D_1 , D_2 are forwarded to the block encoder 11 and the first channelization device 8 (step 303). The sub-data fields forwarded to the block encoder 11 are encoded (step 304) and forwarded to the second channelization device 9 (step 305). Each channelization device 8, 9 spreads their respective data input using a separate channelization code associated with a respective antenna 15, 16 (step 306). The two spread signals are then

scrambled, using the scrambling code associated with the base station (step 307) and transmitted to the receiver 20 over diversity antennas 15, 16 (step 308).

[00029] The receiver 20 receives a RF communication signal including the two spread signals from the diversity antennas 15, 16 (step 309), demodulates the signal and forwards the demodulated signal to the channel estimation device 23 and joint detection device 24 (step 310). The received signal is processed by the channel estimation device 23 (step 311) and the channel information applied by the joint detection device 24 along with the channelization codes, to estimate the transmit symbols from the diversity antennas 15, 16 (step 312). The detected sub-data fields, corresponding to each diversity antenna 15, 16, are forwarded to the BSTTD decoder (step 313), which decodes the soft symbol sub-fields to yield a single data field's soft symbols, d_{STTD} (step 314).

[00030] Similar to the preferred embodiment disclosed above, Figure 5 is a block diagram of an alternative transmitter 40, preferably located at a base station, and a receiver 50, preferably located a user equipment (UE) in a communication system. The transmitter 40 comprises a plurality of channelization devices 48, 49, a plurality of spreading sequence insertion devices 42, 43, and a plurality of antennas 45, 46.

[00031] Data to be transmitted by the transmitter 40 is produced by a data generator (not shown). The resulting data symbols ($S_1, S_2, \dots, S_{N/2}$), ($S_{N/2+1}, S_{N/2+2}, \dots, S_N$) of the first data field, which can be represented by sub-data fields D_1 and D_2 , are input to a first and second channelization device 48, 49, respectively. The first channelization device 8 spreads the data blocks D_1, D_2 by a first channelization code, and the second channelization device 49 spreads the data blocks D_1, D_2 by a second different channelization code. Each of the spread data blocks from the first and second channelization devices 48, 49 are scrambled by the scrambling code associated with the transmitter 40.

[00032] Once the symbols have been scrambled, they are mixed with a first and second midamble through training sequence insertion devices 42, 43, producing two

communication bursts 44, 45. The two bursts 44, 45 are modulated and simultaneously transmitted to the receiver 50 over antenna 46 and diversity antenna 47, respectively.

[00033] The receiver 50 comprises a joint detection device (JD) 54, a decoder 22, a channel estimation device 53 and an antenna 51. The antenna 51 of the UE receives various RF signals including the communication bursts 44, 45 from the transmitter 40. The RF signals are then demodulated to produce a baseband signal.

[00034] The baseband signal is then forwarded to the joint detection device 54 and the channel estimation device 53. The joint detection device 54, coupled to the channel estimation device 53 and decoder 52, utilizes the channel information and the channelization codes to detect the soft data symbols d_1 , d_2 , in the received signal. The channel impulse response for each burst is determined using that burst's midamble sequence. Since each burst was transmitted using a different spreading code, the joint detection device 54 treats each burst as being transmitted by a different user. The joint detection device 54 estimates the data symbols of each of the signals 44, 45 output by the transmitter antennas 46, 47 and forwards the estimates to the decoder 52.

[00035] The decoder 52, coupled to the joint detection device 54, receives the estimated soft data symbols d_1 , d_2 corresponding to the antennas 46, 47 and decodes the symbols to yield a single data field's soft symbols, d .

[00036] The flow diagram of the alternative embodiment is illustrated in Figure 6. A data generator generates data to be transmitted to the receiver 40 (step 601). Each data field is separated into two sub-data fields D_1 , D_2 (step 602). The sub-data fields D_1 , D_2 are forwarded to the first channelization device 48 and to the second channelization device 49 (step 603). Each channelization device 48, 49 spreads their respective data input using a separate channelization code associated with each antenna 46, 47 (step 604). The two spread signals are then scrambled, using the scrambling code associated with the base station (step 605) and transmitted to the receiver 50 over diversity antennas 46, 47 (step 606).

[00037] The receiver 50 receives a RF communication signal including the two

spread signals from the diversity antennas 46, 47 (step 607), demodulates the signal and forwards the demodulated signal to the channel estimation device 53 and joint detection device 54 (step 608). The received signal is processed by the channel estimation device 53 (step 609) and the channel information applied by the joint detection device 54 along with the channelization codes, to estimate the transmit symbols from the diversity antennas 46, 47 (step 610). The detected sub-data fields, corresponding to each diversity antenna 46, 47, are forwarded to the decoder 52 (step 611), which decodes the soft symbol sub-fields to yield a single data field's soft symbols, dSTTD (step 612).

[00038] By using additional channelization codes, the above approaches can be applied to an antenna array having any number of antennas. Each antenna has its own associated channelization code and midamble. If a block encoder is used, the data field transmitted by each of the antennas has a unique encoding, allowing the use of a single joint detector at the receiver.

[00039] The BSTTD transmitter with two channelization codes of the present invention allows for the use of a cheaper and simpler method of transmit diversity. The use of different channelization codes per transmit antenna requires only one joint detection device at the receiver resulting in a less complex receiver system than those of the prior art. Figure 4 is a graph showing the raw BER of various block STTD decoders. The model is based on all the receivers using a block linear equalizer (BLE) based approach to JD. NTD means the single antenna case, i.e., no transmit diversity. STTD with 1 code is the traditional block STTD JD. STTD with 2 code is the disclosed block STTD transmitter. Simple STTD with 2 code is the transmission system disclosed in the alternative embodiment. As illustrated, the benefit of 2 codes for STTD can be summarized as follows: 1) there is up to a 0.5 dB gain at 0.01 raw Bit error rate over 1 code STTD; and 2) by eliminating the encoding block in simple STTD with 2 code, the performance degradation is only 0.2 dB at 0.1 raw BER and no degradation at 0.01 raw BER. The performance improvement over NTD is still 1.0 dB

and 2.7 dB at 0.1 and 0.01 raw BER.

*

*

*

I-2-176.1WO

CLAIMS

What is claimed is:

1. A method for transmitting data in a CDMA communication system including a transmitter and a receiver, data for transmission is provided (step 301), a first communication burst is transmitted over a first antenna of the transmitter and a second communication burst is transmitted over a second antenna of the transmitter (step 308), detected symbols of the first and second communication bursts are combined at the receiver to recover symbols of the provided data (step 314), the method characterized by comprising the steps of:

spreading the provided data using a first channelization code producing first spread data (step 306);

spreading the provided data using a second channelization code producing [a] second spread data (step 306), the first channelization code different than the second channelization code;

producing the first communication burst by inserting a first training sequence into the first spread data;

producing the second communication burst by inserting a second training sequence into the second spread data, the first training sequence different than the second training sequence;

estimating channel information of the first communication burst as first channel information using a received version of the first training sequence (step 311);

estimating channel information of the second communication burst as second channel information using a received version of the second training sequence (step 311);

detecting the symbols of the first and second communication bursts at the receiver using the first and second channelization codes and the first and second channel information (step 312);

I-2-176.1WO

2. The method of claim 1 further comprising the steps of scrambling said first and second spread data by a scrambling code associated with the transmitter (step 307).

3. The method of claim 1 wherein a base station further includes the receiver and a user equipment further includes the transmitter.

4. The method of claim 1 further comprising encoding the provided data so that the encoded data has complex conjugates and is reordered and wherein producing the second communication burst is by using the encoded data (step 303-305).

5. The method of claim 1 wherein the detecting the symbols is performed by a joint detection device (step 312).

6. A transmitter for transmitting data, the transmitter comprising a first antenna (17) for transmitting a first communication burst, a second antenna (18) for transmitting a second communication burst, the transmitter characterized by comprising:

a first and second spreading device (8,9) for spreading provided data, wherein the first spreading device (8) spreads the provided data using a first channelization code producing first spread data and the second spreading device (9) spreads the provided data using a second channelization code producing second spread data, the first channelization code different than the second channelization code; and

a first training sequence insertion device (12) for inserting a first training sequence into the first spread data producing a first communication burst; and

a second training sequence insertion device (13) for inserting a second training sequence into the second spread data producing a second communication burst.

I-2-176.1WO

7. The transmitter of claim 6 further comprising a first and second scrambling device for scrambling the first and second spread data by a single scrambling code associated with said transmitter.

8. The transmitter of claim 6 further comprising an encoder (11) for encoding the provided data so that the encoded data has complex conjugates and is reordered and wherein producing the second communication burst is by using the encoded data.

9. A CDMA communication system including a plurality of base stations and a user equipment, each for communicating with each other, said plurality of base stations having a first antenna (15) for transmitting a first communication burst and a second antenna (16) for transmitting a second communication burst, the user equipment having means (22) for combining detected symbols of the first and second communication bursts to recover symbols of provided data, the system characterized by:

each of the plurality of base stations having:

a first and second spreading means (8,9) for spreading the provided data, wherein the first spreading means (8) spreads the provided data using a first channelization code producing first spread data and said second spreading means (9) spreads the provided data using a second channelization code producing second spread data, the first channelization code different than the second channelization code;

a first training sequence insertion means (12) for inserting a first training sequence into the first spread data producing a first communication burst; and

a second training sequence insertion means (13) for inserting a second training sequence into the second spread data producing a second communication burst; and

the user equipment having:

means (23) for estimating channel information of the first communication burst as first channel information using a received version of the first training sequence and

I-2-176.1WO

for estimating channel information of the second communication burst as second channel information using a received version of the second training sequence; and

means (24) for detecting the symbols of the first and second communication bursts using the first and second channelization codes and the first and second channel information

10. The system of claim 9 further comprising for each base station means for scrambling said first and second spread data by a scrambling code associated with that base station.

11. The system of claim 9 further comprising encoder means (11) for encoding the provided data so that the encoded data has complex conjugates and a reordering of symbols of the provided data and producing the second communication burst by using the encoded data.

12. The system of claim 9 further characterized by detecting means (24) being a joint detector.

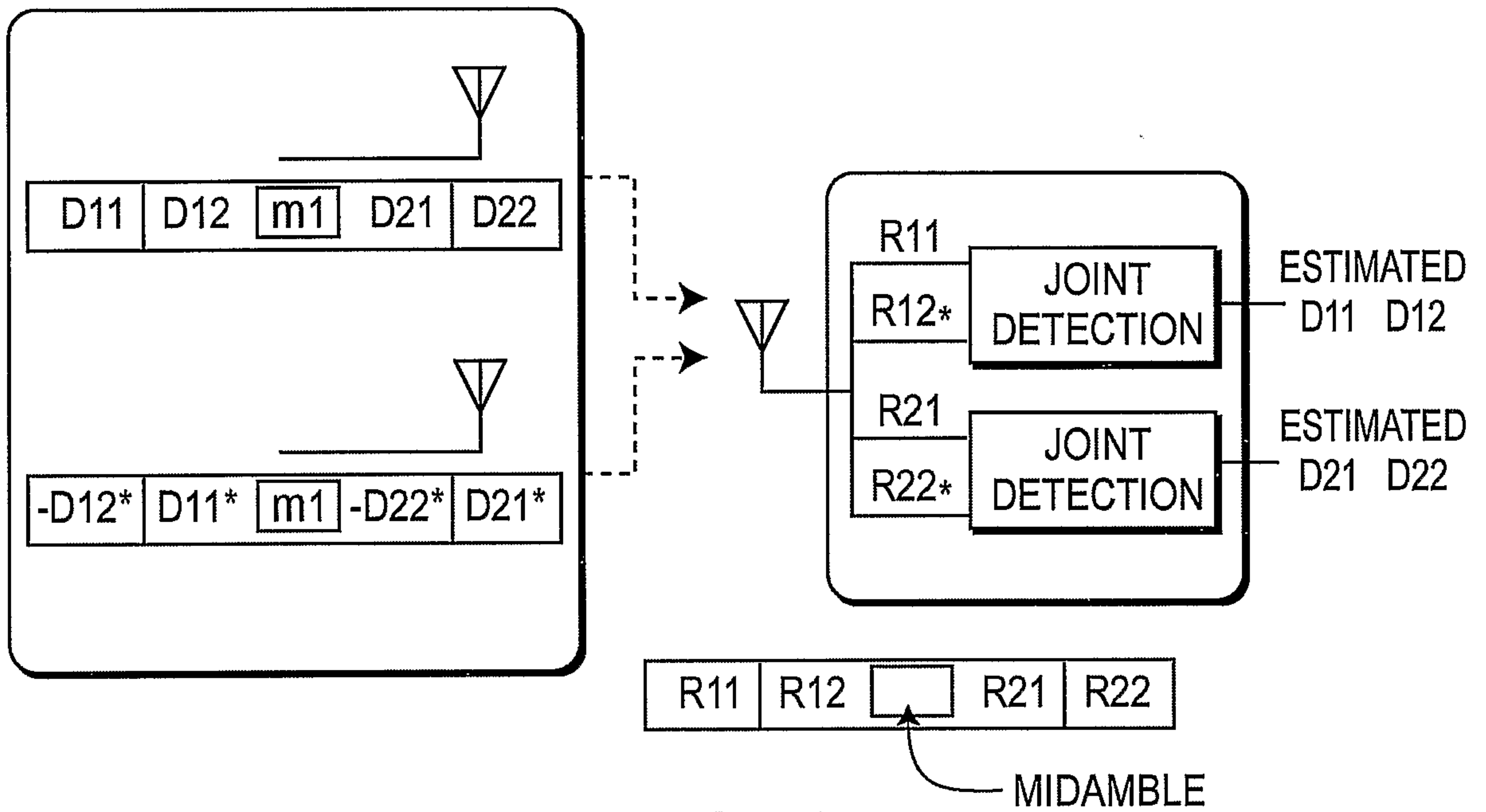


FIG. 1

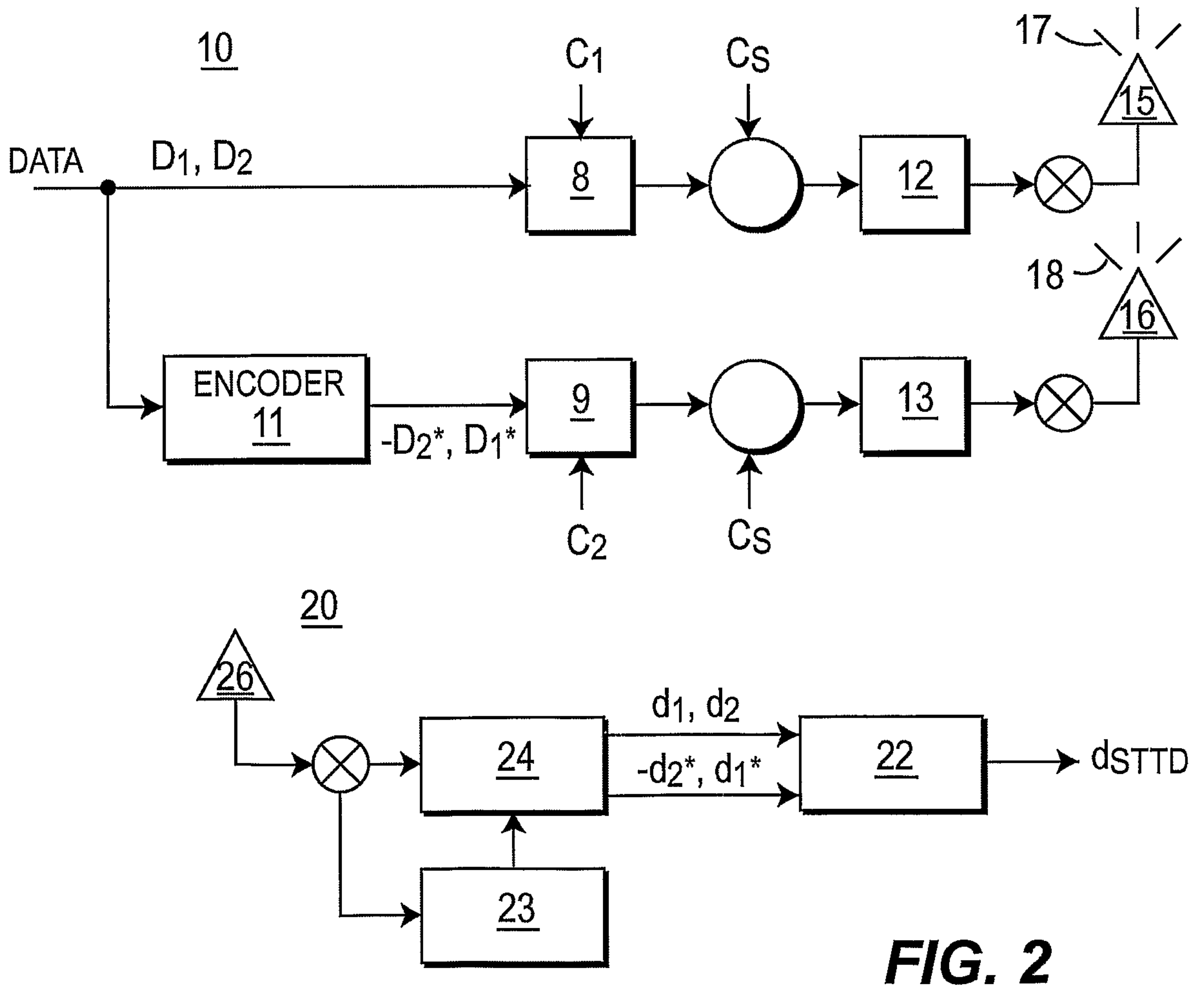


FIG. 2

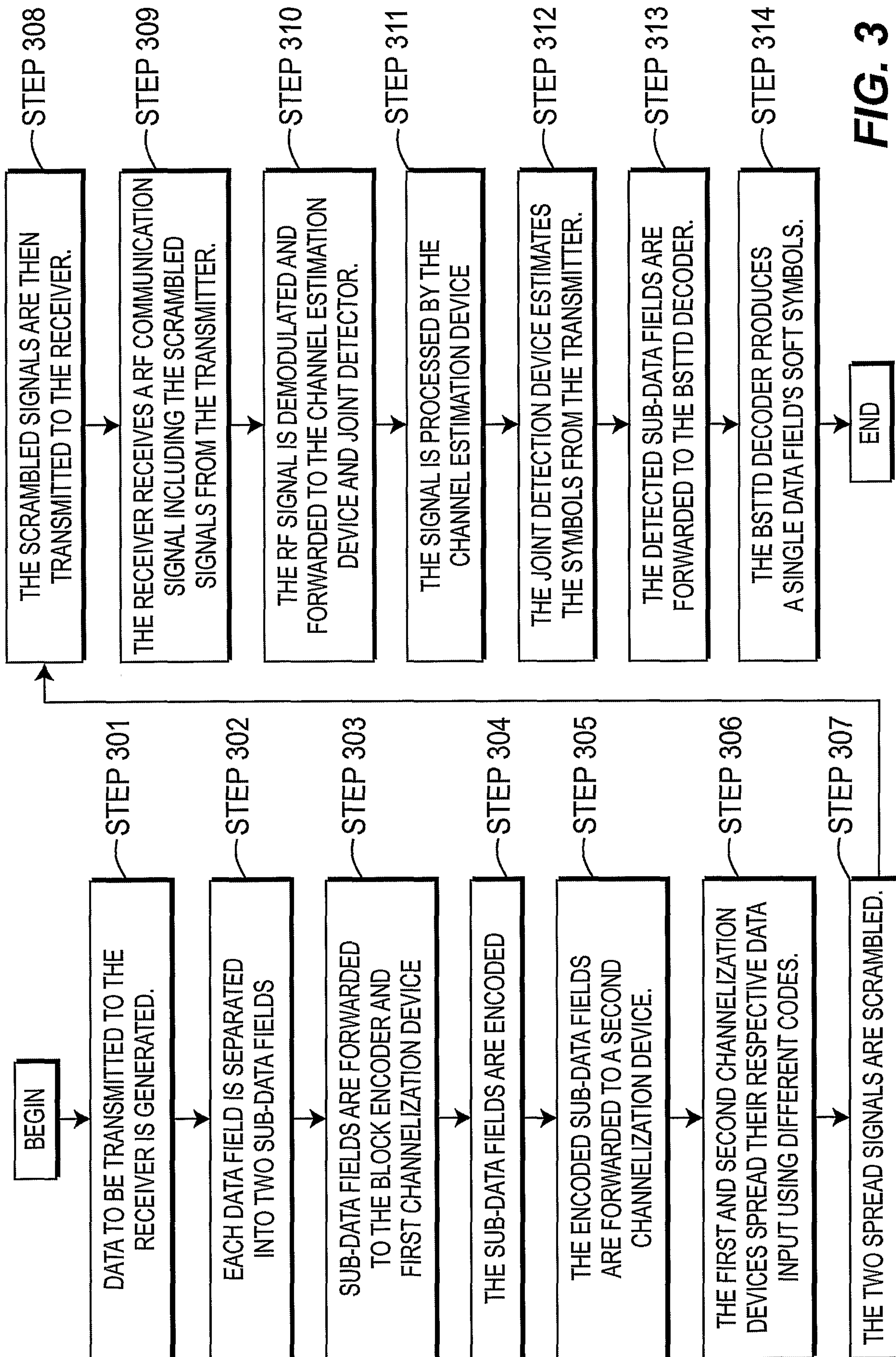


FIG. 3

3/4

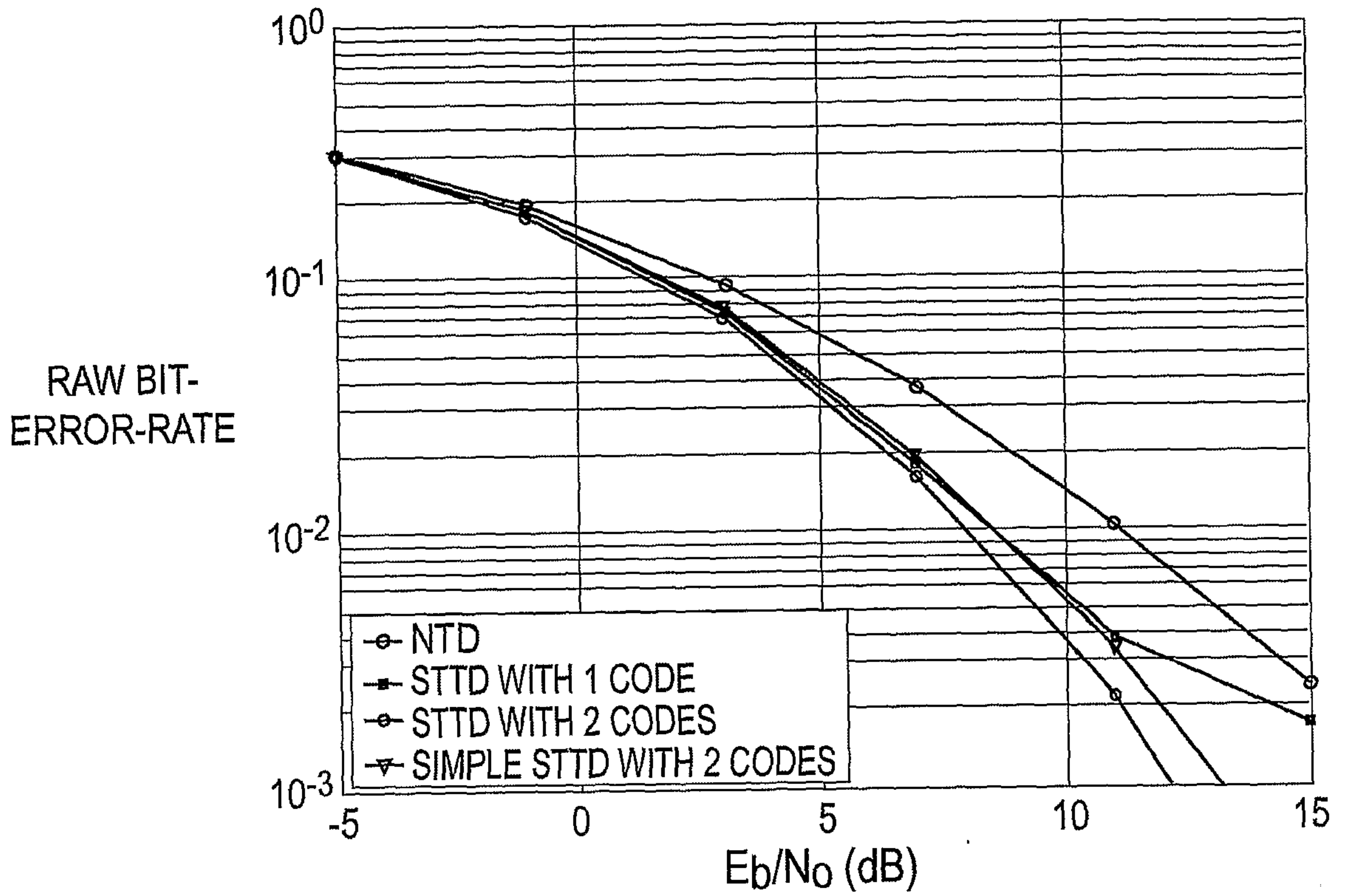


FIG. 4

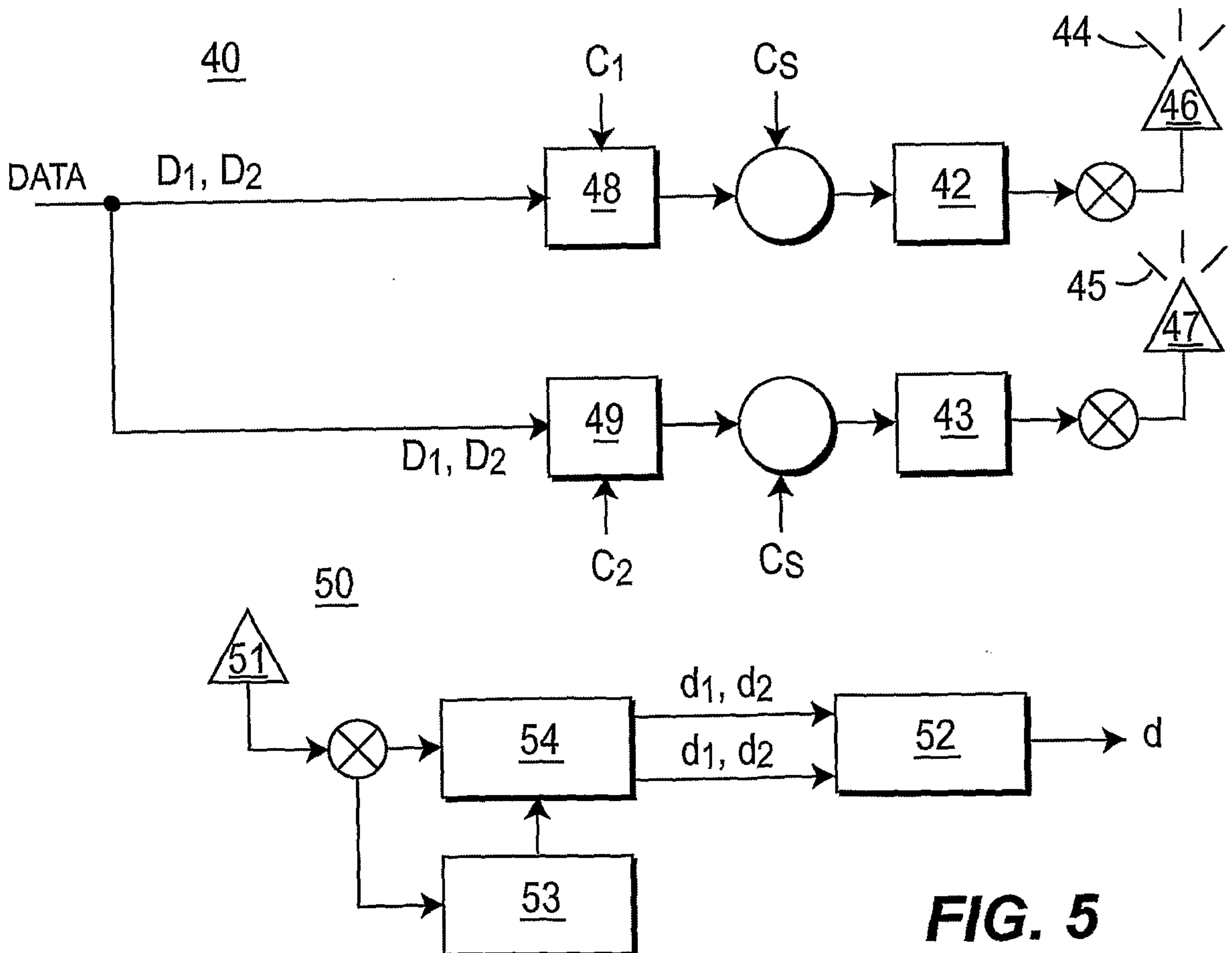


FIG. 5

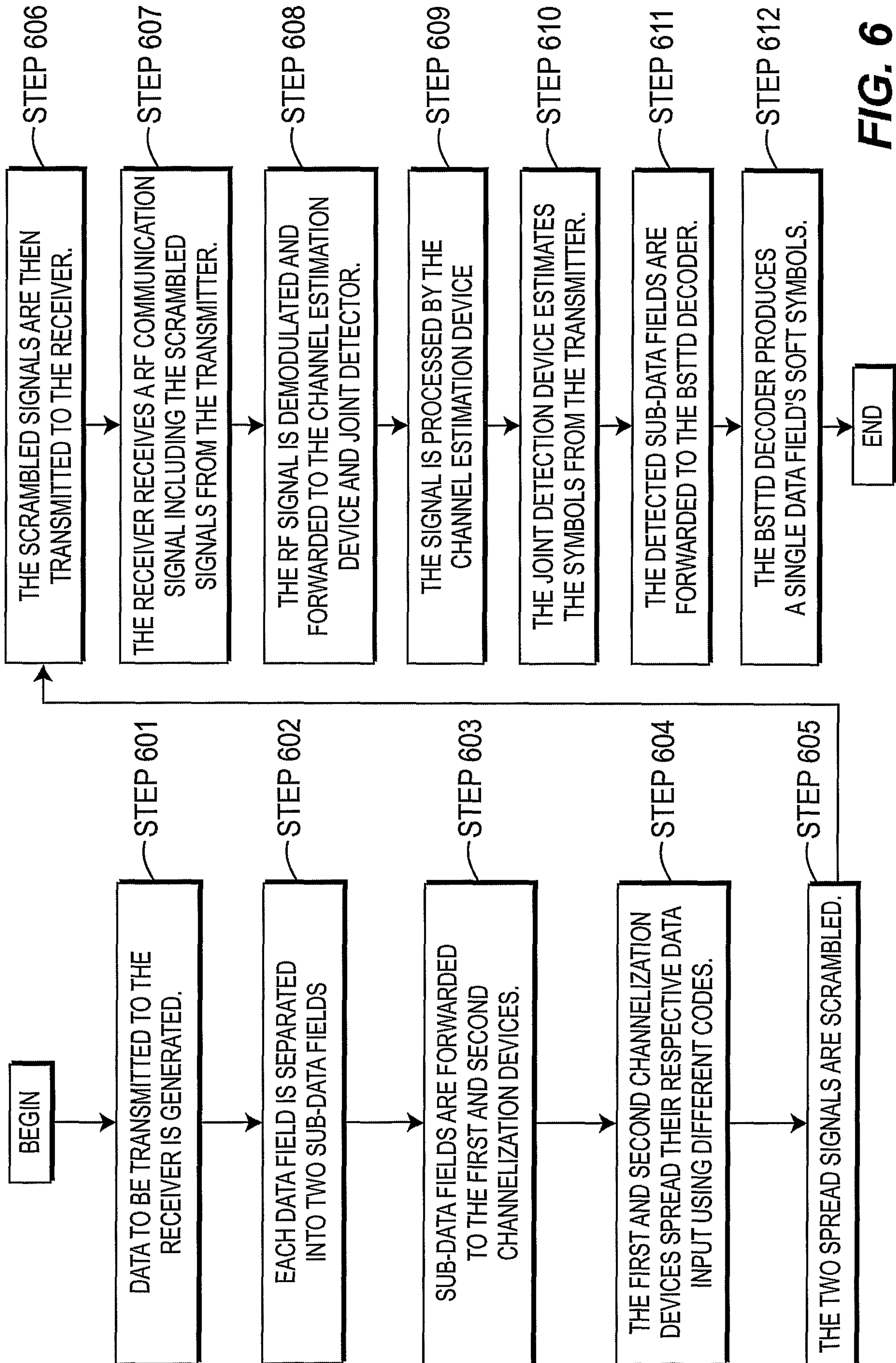


FIG. 6

