

(19) World Intellectual Property Organization  
International Bureau



(43) International Publication Date  
3 January 2008 (03.01.2008)

PCT

(10) International Publication Number  
**WO 2008/000902 A3**

- (51) International Patent Classification:  
*G01N 1/20* (2006.01)      *G01N 33/34* (2006.01)
- (21) International Application Number:  
PCT/FI2007/050385
- (22) International Filing Date:      25 June 2007 (25.06.2007)
- (25) Filing Language:      Finnish
- (26) Publication Language:      English
- (30) Priority Data:  
20065443      27 June 2006 (27.06.2006)      FI
- (71) Applicant (for all designated States except US): **METSO PAPER INC.** [FI/FI]; Fabianinkatu\_9A, FI-00130 Helsinki (FI).

CN, CO, CR, CU, CZ, DE, DK, DM, DO, DZ, EC, EE, EG, ES, FI, GB, GD, GE, GH, GM, GT, HN, HR, HU, ID, IL, IN, IS, JP, KE, KG, KM, KN, KP, KR, KZ, LA, LC, LK, LR, LS, LT, LU, LY, MA, MD, ME, MG, MK, MN, MW, MX, MY, MZ, NA, NG, NI, NO, NZ, OM, PG, PH, PL, PT, RO, RS, RU, SC, SD, SE, SG, SK, SL, SM, SV, SY, TJ, TM, TN, TR, TT, TZ, UA, UG, US, UZ, VC, VN, ZA, ZM, ZW.

(84) Designated States (unless otherwise indicated, for every kind of regional protection available): ARIPO (BW, GH, GM, KE, LS, MW, MZ, NA, SD, SL, SZ, TZ, UG, ZM, ZW), Eurasian (AM, AZ, BY, KG, KZ, MD, RU, TJ, TM), European (AT, BE, BG, CH, CY, CZ, DE, DK, EE, ES, FI, FR, GB, GR, HU, IE, IS, IT, LT, LU, LV, MC, MT, NL, PL, PT, RO, SE, SI, SK, TR), OAPI (BF, BJ, CF, CG, CI, CM, GA, GN, GQ, GW, ML, MR, NE, SN, TD, TG).

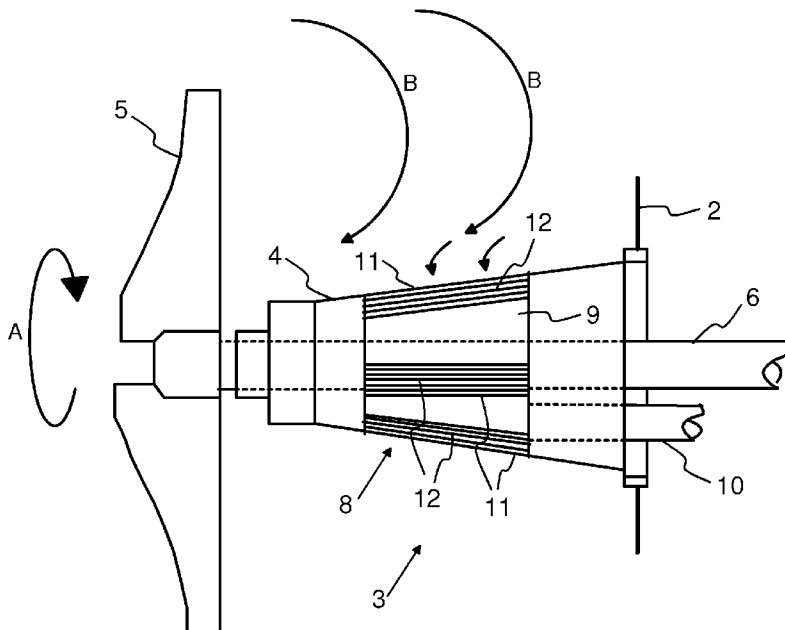
- (72) Inventor; and
- (75) Inventor/Applicant (for US only): **ISOLA, Antti** [FI/FI]; Loveret 1 D 26, FI-68600 Pietarsaari (FI).
- (74) Agent: **TAMPEREEN PATENTTITOIMISTO OY**; Hermiankatu 12 B, FI-33720 Tampere (FI).
- (81) Designated States (unless otherwise indicated, for every kind of national protection available): AE, AG, AL, AM, AT, AU, AZ, BA, BB, BG, BH, BR, BW, BY, BZ, CA, CH,

Published:  
— with international search report  
— with information concerning authorization of rectification of an obvious mistake under Rule 91.1

(88) Date of publication of the international search report:  
3 April 2008

(15) Information about Correction:  
**Previous Correction:**  
see Notice of 21 February 2008

(54) Title: METHOD AND APPARATUS FOR TAKING A SAMPLE FROM A PULP SUSPENSION WITH AN INTEGRATED AGITATOR AND SAMPLER



(57) Abstract: A method and an apparatus for taking a sample from a pulp suspension in a tank (1), said pulp suspension being mixed substantially continuously by means of an agitator (3) arranged in the tank (1). The sample is taken by a sampler (6, 8, 16) integrated in the agitator (3).

WO 2008/000902 A3

**INTERNATIONAL SEARCH REPORT**

International application No  
PCT/FI2007/050385

**A. CLASSIFICATION OF SUBJECT MATTER**  
INV. G01N1/20 G01N33/34

According to International Patent Classification (IPC) or to both national classification and IPC

**B. FIELDS SEARCHED**  
Minimum documentation searched (classification system followed by classification symbols)  
G01N

Documentation searched other than minimum documentation to the extent that such documents are included in the fields searched

Electronic data base consulted during the international search (name of data base and, where practical, search terms used)  
EPO-Internal, WPI Data

**C. DOCUMENTS CONSIDERED TO BE RELEVANT**

Category*	Citation of document, with indication, where appropriate, of the relevant passages	Relevant to claim No.
X	US 5 662 248 A (COLLARD JR THOMAS H [US]) 2 September 1997 (1997-09-02)  column 1, line 6 - line 11 column 5, line 45 - column 6, line 28 figures 2,3	1-4, 6-12, 15-17
A	----- DE 41 14 748 A1 (VALMET AUTOMATION OY [FI]) 14 November 1991 (1991-11-14) figure 1	1-17
A	----- US 6 432 265 B1 (PURSIHEIMO PETRI [FI] ET AL) 13 August 2002 (2002-08-13) cited in the application figure 1  ----- -/--	1-17

Further documents are listed in the continuation of Box C.       See patent family annex.

\* Special categories of cited documents :

*A* document defining the general state of the art which is not considered to be of particular relevance	*T* later document published after the international filing date or priority date and not in conflict with the application but cited to understand the principle or theory underlying the invention
*E* earlier document but published on or after the international filing date	*X* document of particular relevance; the claimed invention cannot be considered novel or cannot be considered to involve an inventive step when the document is taken alone
*L* document which may throw doubts on priority claim(s) or which is cited to establish the publication date of another citation or other special reason (as specified)	*Y* document of particular relevance; the claimed invention cannot be considered to involve an inventive step when the document is combined with one or more other such documents, such combination being obvious to a person skilled in the art.
*O* document referring to an oral disclosure, use, exhibition or other means	*Z* document member of the same patent family
*P* document published prior to the international filing date but later than the priority date claimed	

Date of the actual completion of the international search  15 November 2007	Date of mailing of the international search report  13/12/2007
---	--

Name and mailing address of the ISA/ European Patent Office, P.B. 5818 Patentlaan 2 NL - 2280 HV Rijswijk Tel. (+31-70) 340-2040, Tx. 31 651 epo nl, Fax: (+31-70) 340-3016	Authorized officer  Timonen, Tuomo
---	--

## INTERNATIONAL SEARCH REPORT

International application No  
PCT/FI2007/050385

C(Continuation). DOCUMENTS CONSIDERED TO BE RELEVANT		
Category*	Citation of document, with indication, where appropriate, of the relevant passages	Relevant to claim No.
A	US 4 415 408 A (GREEY DAVID N [CA]) 15 November 1983 (1983-11-15) cited in the application figure 1 -----	1-17
A	US 1 761 298 A (HARRIS ORA E) 3 June 1930 (1930-06-03) the whole document -----	1-17
A	DATABASE WPI Derwent Publications Ltd., London, GB; AN 1986-337786 XP002458616 -& SU 1 227 973 A ((MEKH-R)MEKMANOBR INST) 30 April 1986 (1986-04-30) abstract -----	1-17

# INTERNATIONAL SEARCH REPORT

Information on patent family members

International application No PCT/FI2007/050385
---

Patent document cited in search report	Publication date	Patent family member(s)	Publication date
US 5662248	A	02-09-1997	NONE
DE 4114748	A1	14-11-1991	CA 2041879 A1 08-11-1991 FI 902287 A 08-11-1991 SE 502411 C2 16-10-1995 SE 9101287 A 08-11-1991
US 6432265	B1	13-08-2002	US 2002059996 A1 23-05-2002
US 4415408	A	15-11-1983	ES 8405944 A1 01-10-1984
US 1761298	A	03-06-1930	NONE
SU 1227973	A	30-04-1986	NONE