



US00D813161S

(12) **United States Design Patent**
Ortakales et al.

(10) **Patent No.:** **US D813,161 S**

(45) **Date of Patent:** **** Mar. 20, 2018**

(54) **POWER SUPPLY**

(71) Applicant: **Hypertherm, Inc.**, Hanover, MA (US)

(72) Inventors: **Jeffrey Ortakales**, Newbury, NH (US);
Scott A. Leonard, Bedford, NH (US);
Matthew C. Harris, Kittery, ME (US)

(73) Assignee: **Hypertherm, Inc.**, Hanover, NH (US)

(**) Term: **15 Years**

(21) Appl. No.: **29/568,758**

(22) Filed: **Jun. 21, 2016**

(51) **LOC (11) Cl.** **13-02**

(52) **U.S. Cl.**
USPC **D13/110**

(58) **Field of Classification Search**

USPC D13/110, 101, 102, 103, 107, 108, 118,
D13/119, 123, 184, 199; 307/62, 82,
307/109, 150, 151; 320/104, 107, 111,
320/112, 113, 115, 132, 134, 150;
361/600, 601, 623; 429/96, 97, 98, 99,
429/100, 163, 170, 176
CPC .. H02J 7/00; H02J 7/027; H02J 7/0042; H02J
7/0045; H02J 7/0047; H02J 7/0063;
H02M 7/00; H02M 7/003; H01M 2/202;
H01M 2/204; H01M 2/1022; H01M
2/342; H05K 5/023

See application file for complete search history.

(56) **References Cited**

U.S. PATENT DOCUMENTS

D280,318 S *	8/1985	Barone	D13/110
D377,335 S *	1/1997	Katooka	D13/110
D386,148 S *	11/1997	Katooka	D13/110
D527,340 S *	8/2006	Christiani	D13/107
D624,876 S *	10/2010	Daniels	D13/107
D658,581 S *	5/2012	Reade	D13/110
D668,221 S *	10/2012	McKune	D13/110
D695,680 S *	12/2013	Workman	D13/103

D706,217 S *	6/2014	McKune	D13/110
2001/0043052 A1*	11/2001	Griffey	H02J 7/0042 320/114
2012/0025766 A1*	2/2012	Reade	H02J 7/0042 320/110

* cited by examiner

Primary Examiner — Derrick Holland

(74) *Attorney, Agent, or Firm* — Proskauer Rose LLP

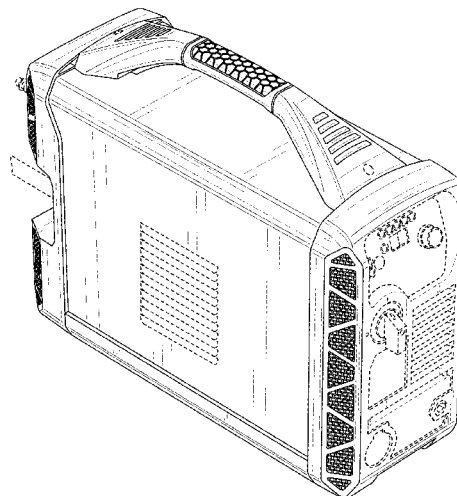
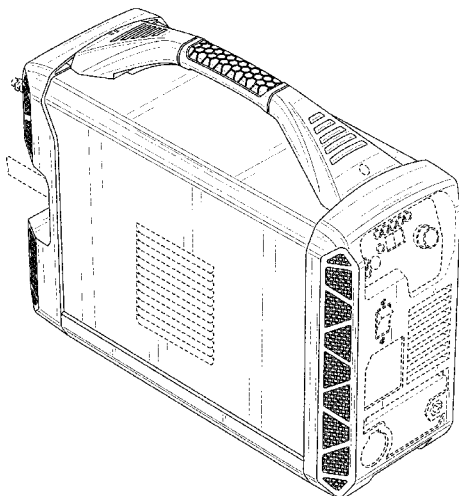
(57) **CLAIM**

The ornamental design for a power supply, as shown and described.

DESCRIPTION

FIG. 1 is a left front isometric view of a first embodiment of a power supply;
FIG. 2 is a right front isometric view thereof;
FIG. 3 is a right rear isometric view thereof;
FIG. 4 is a left rear isometric view thereof;
FIG. 5 is a front elevation view thereof;
FIG. 6 is a rear elevation view thereof;
FIG. 7 is a left side elevation view thereof;
FIG. 8 is a right side elevation view thereof;
FIG. 9 is a top plan view thereof;
FIG. 10 is a bottom plan view thereof;
FIG. 11 is a left front isometric view of a second embodiment of a power supply;
FIG. 12 is a right front isometric view thereof;
FIG. 13 is a right rear isometric view thereof;
FIG. 14 is a left rear isometric view thereof;
FIG. 15 is a front elevation view thereof;
FIG. 16 is a rear elevation view thereof;
FIG. 17 is a left side elevation view thereof;
FIG. 18 is a right side elevation view thereof;
FIG. 19 is a top plan view thereof; and,
FIG. 20 is a bottom plan view thereof.
The broken lines shown represent unclaimed subject matter and form no part of the claimed design.

1 Claim, 20 Drawing Sheets



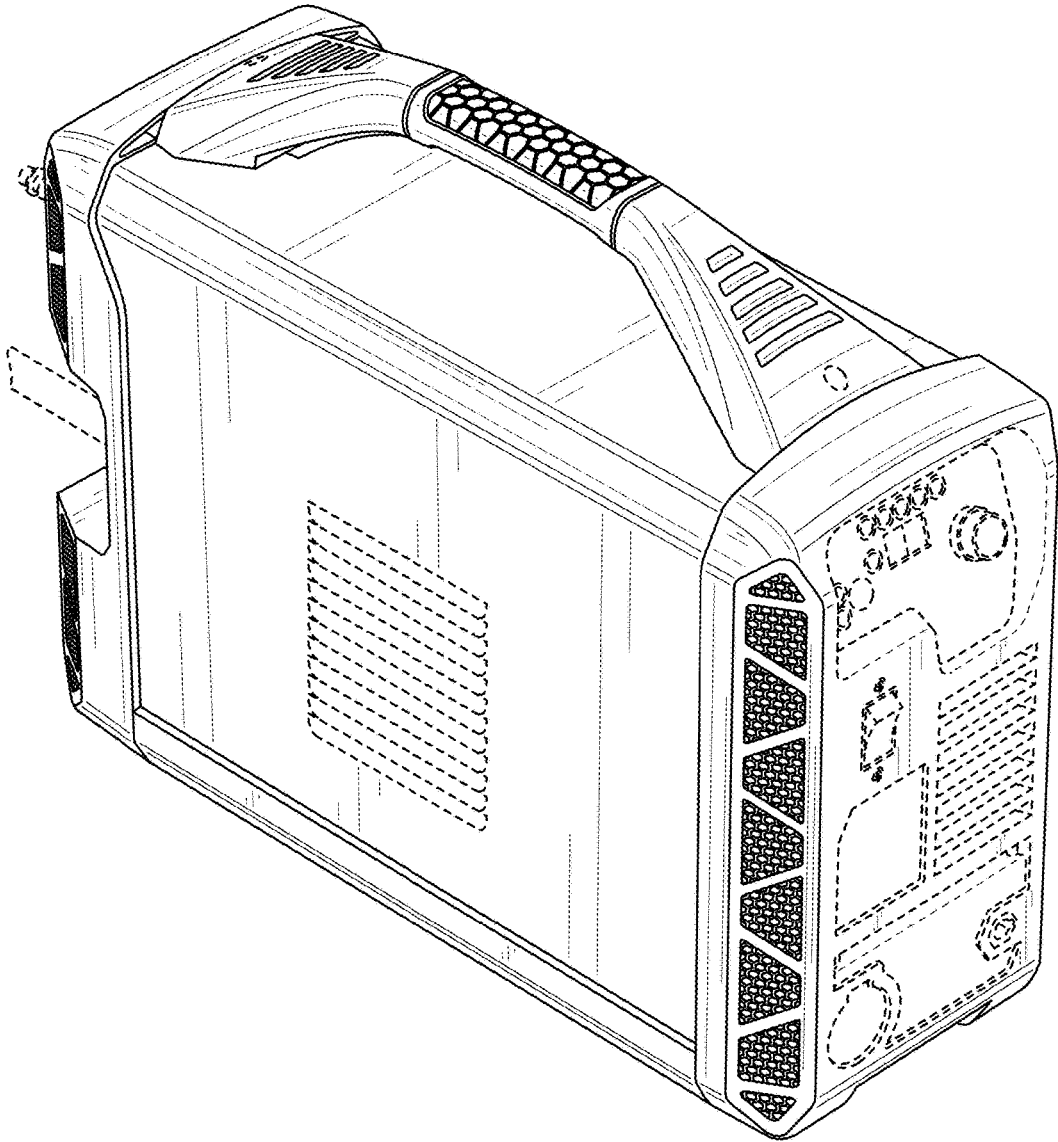


FIG. 1

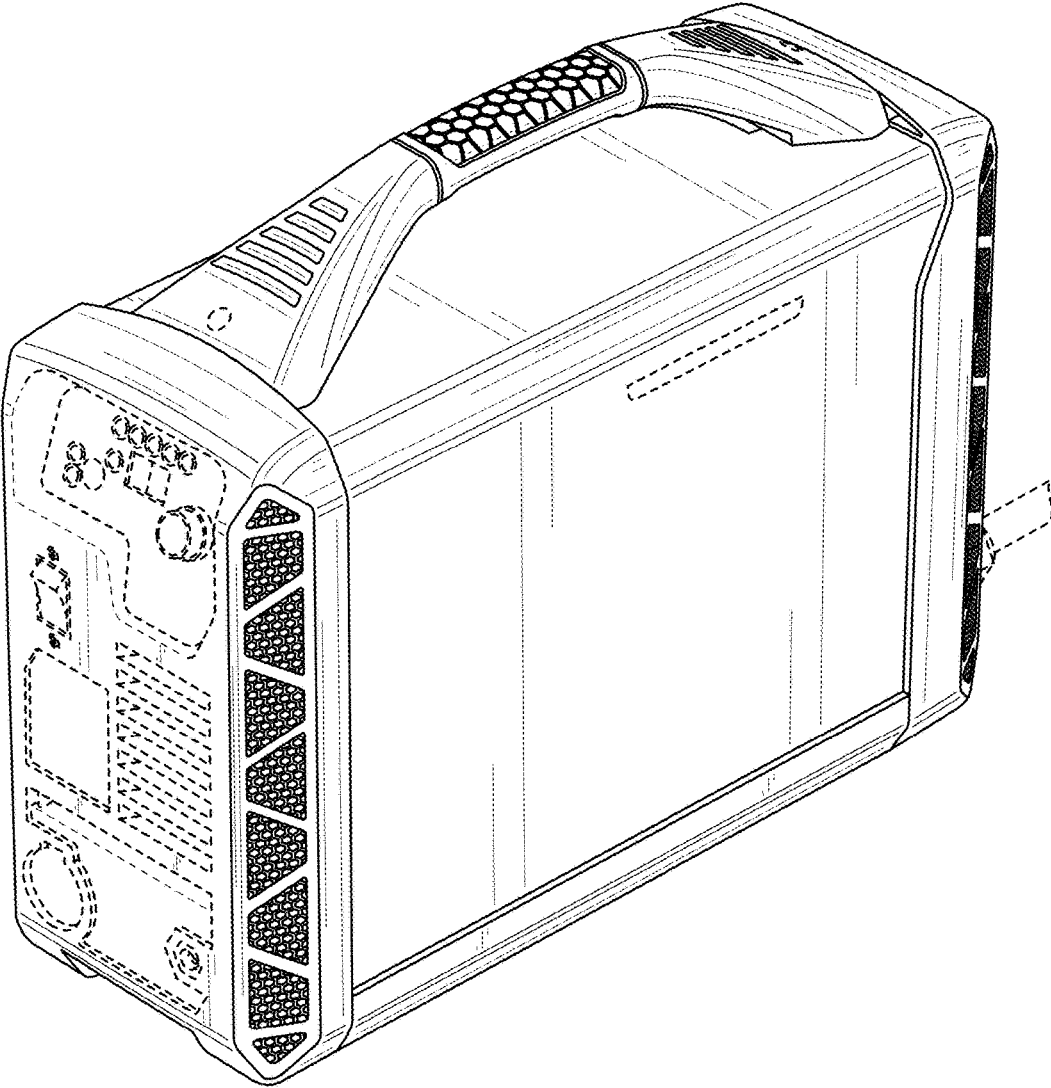


FIG. 2

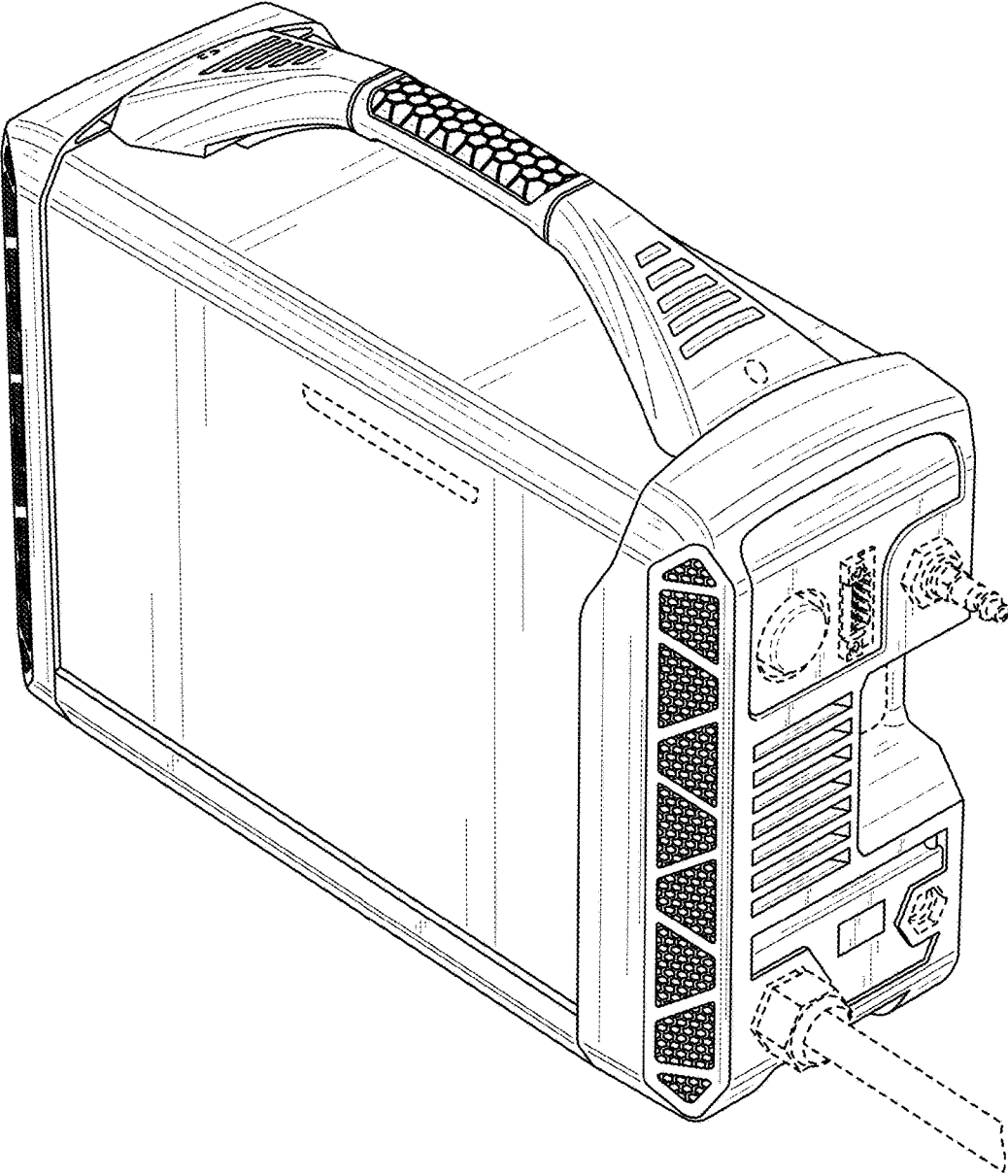


FIG. 3

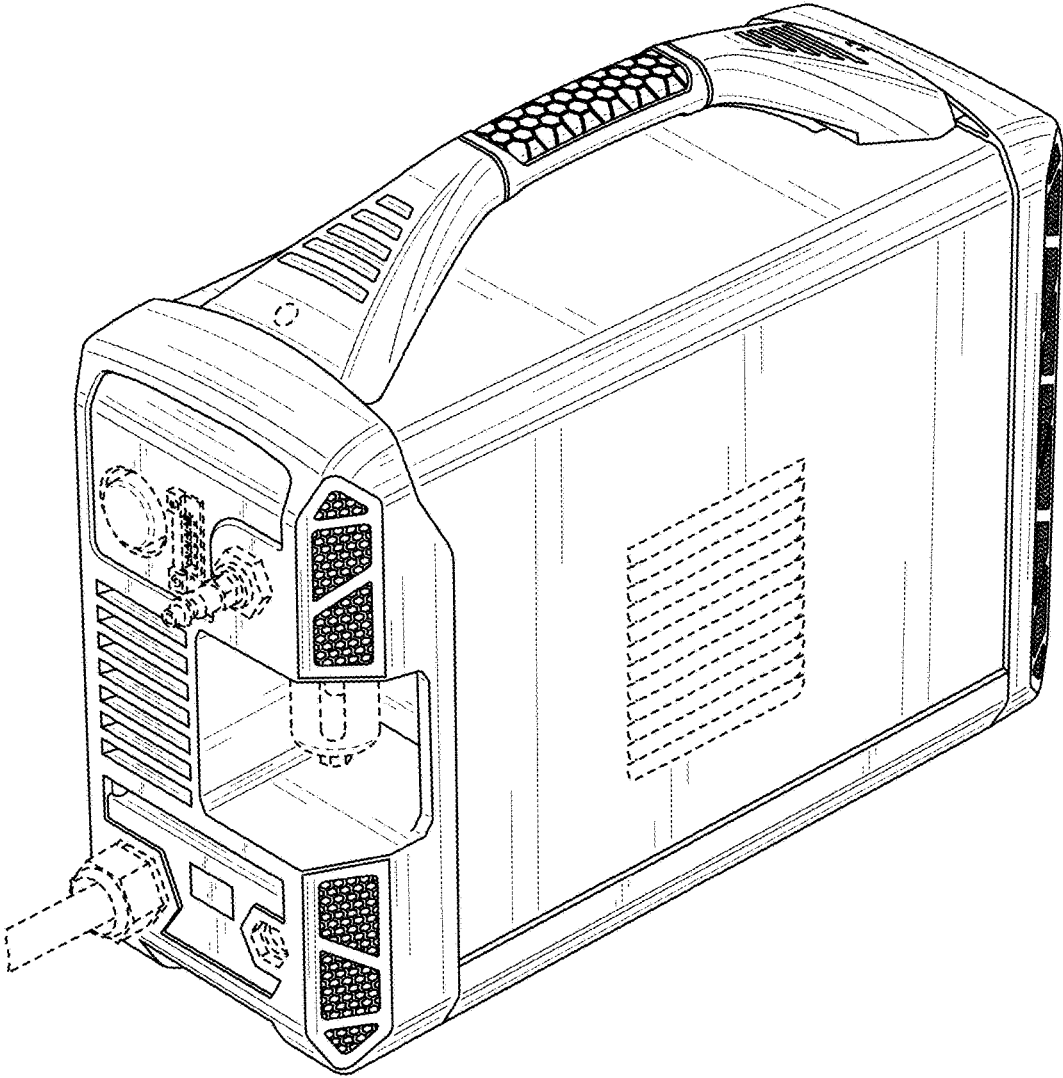


FIG. 4

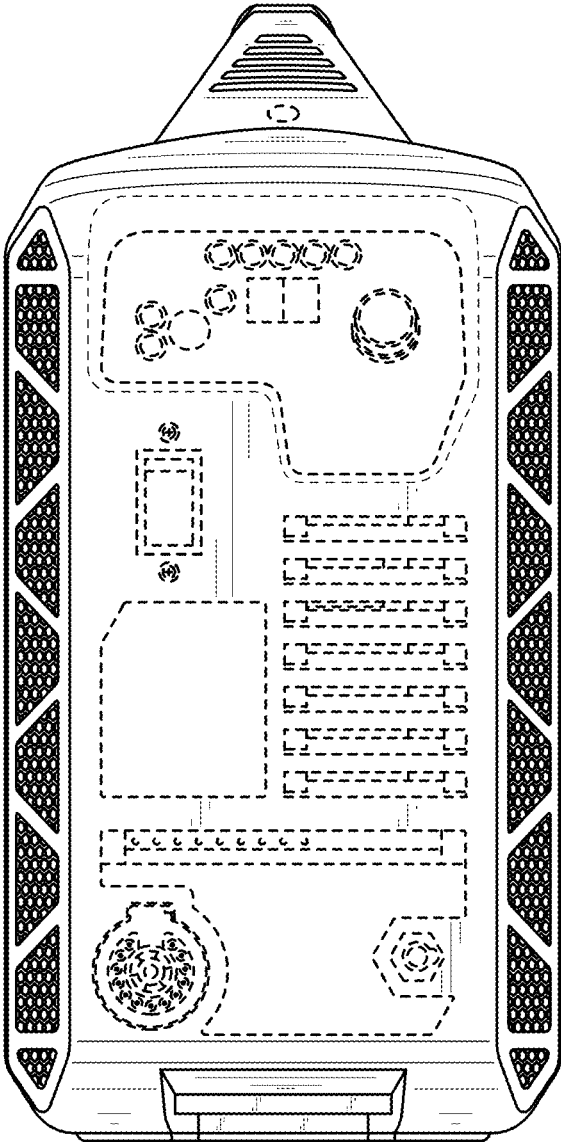


FIG. 5

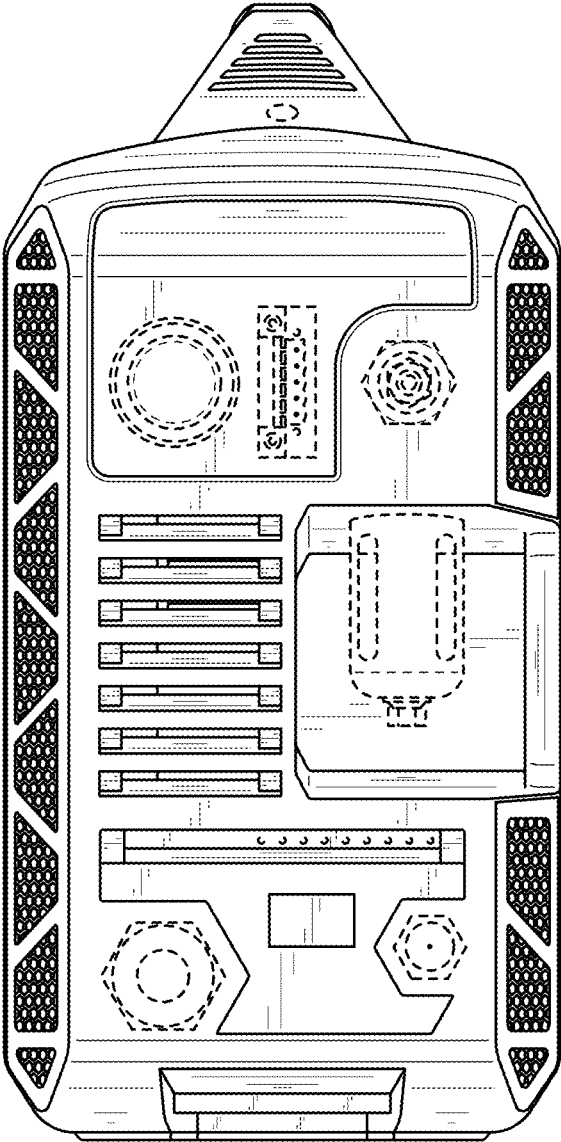


FIG. 6

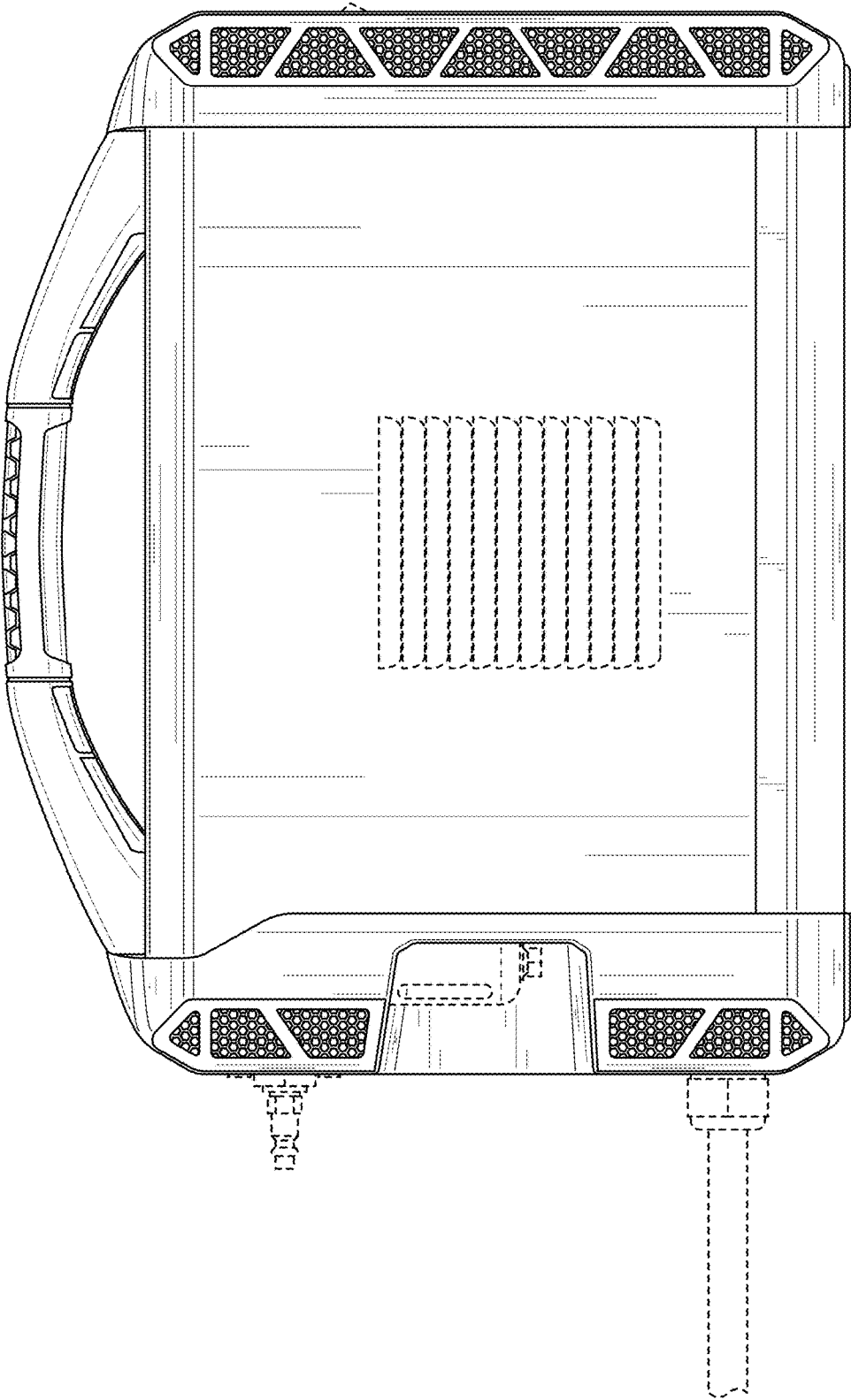


FIG. 7

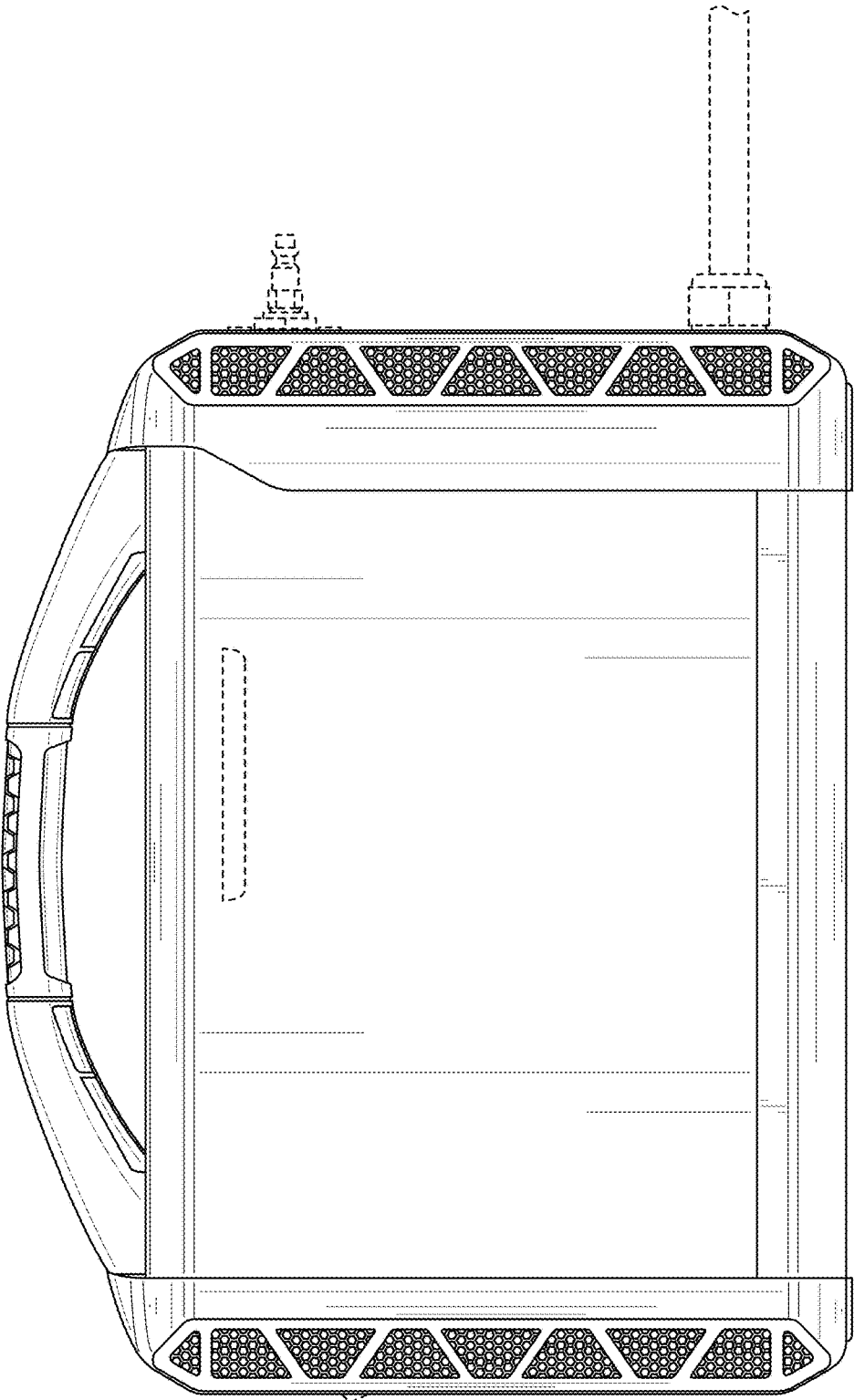


FIG. 8

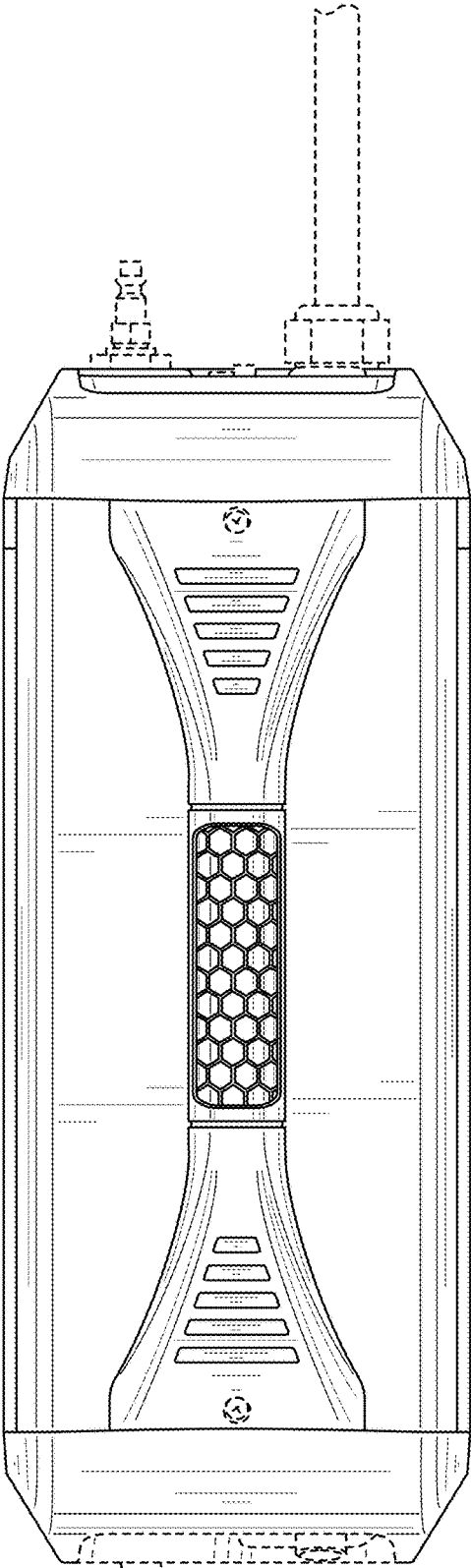


FIG. 9

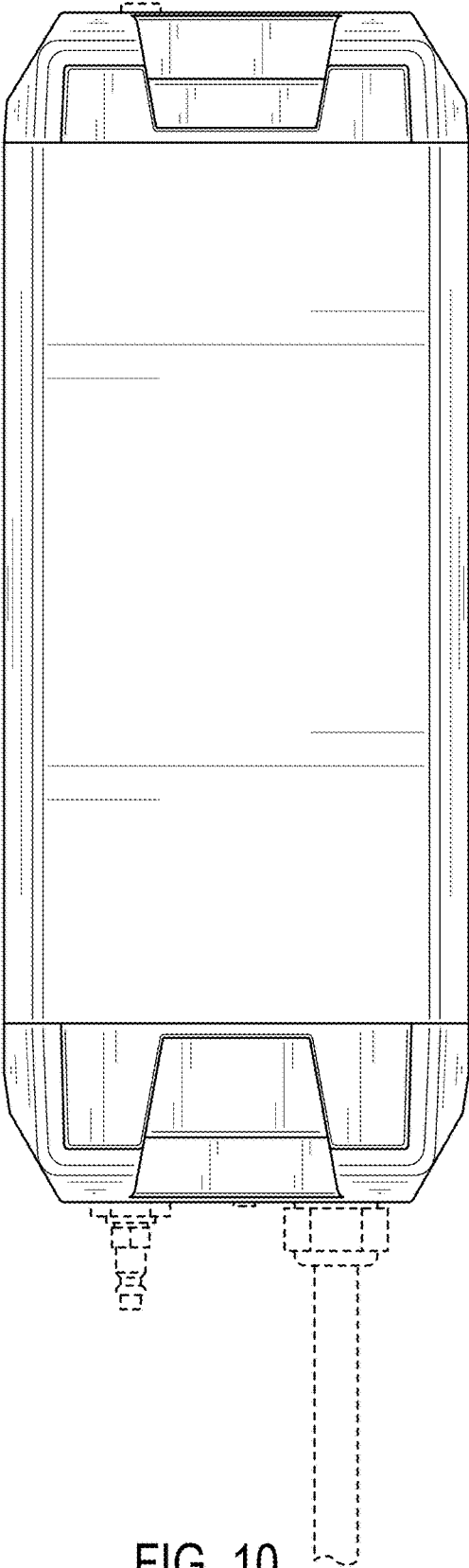


FIG. 10

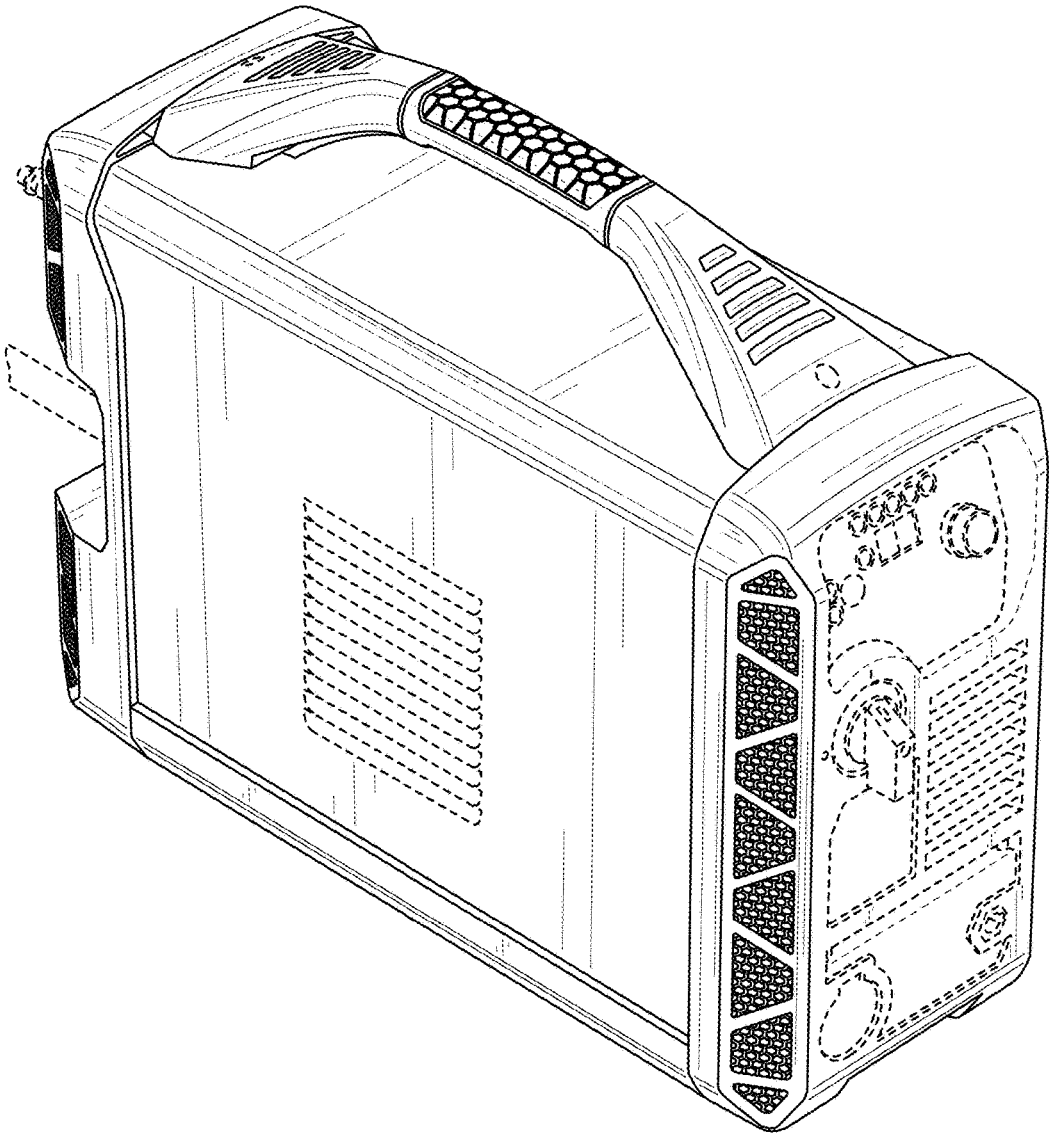


FIG. 11

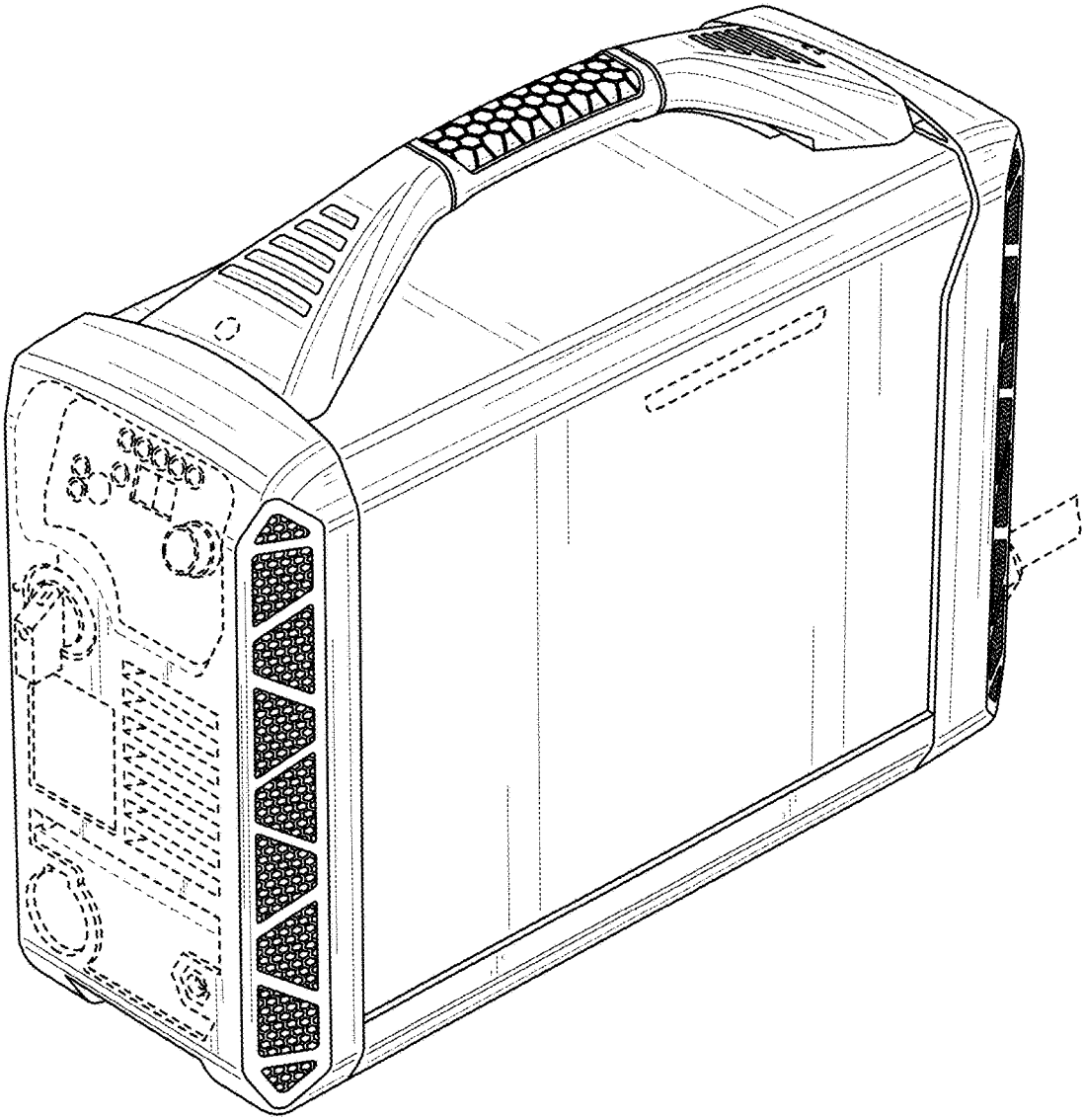


FIG. 12

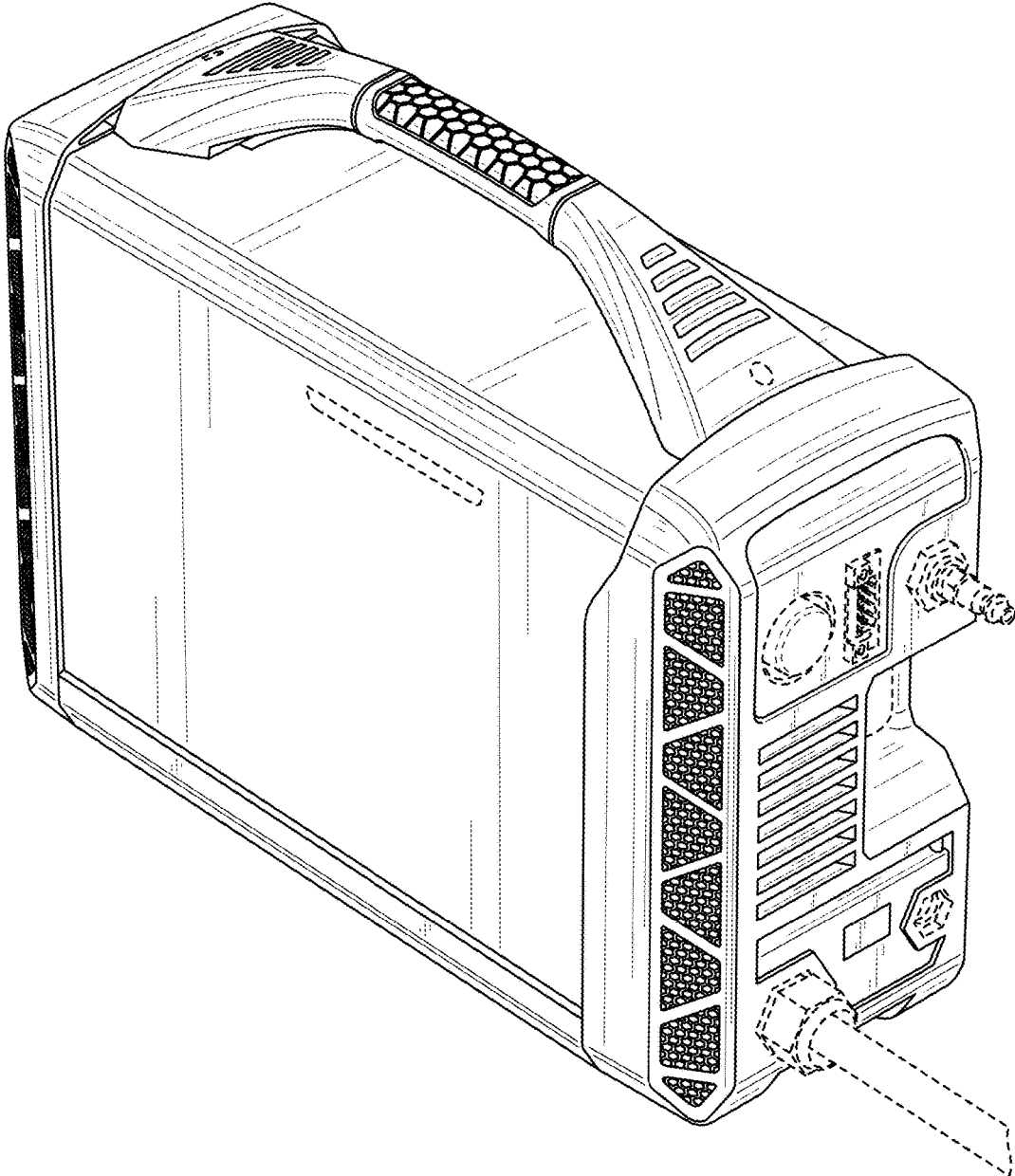


FIG. 13

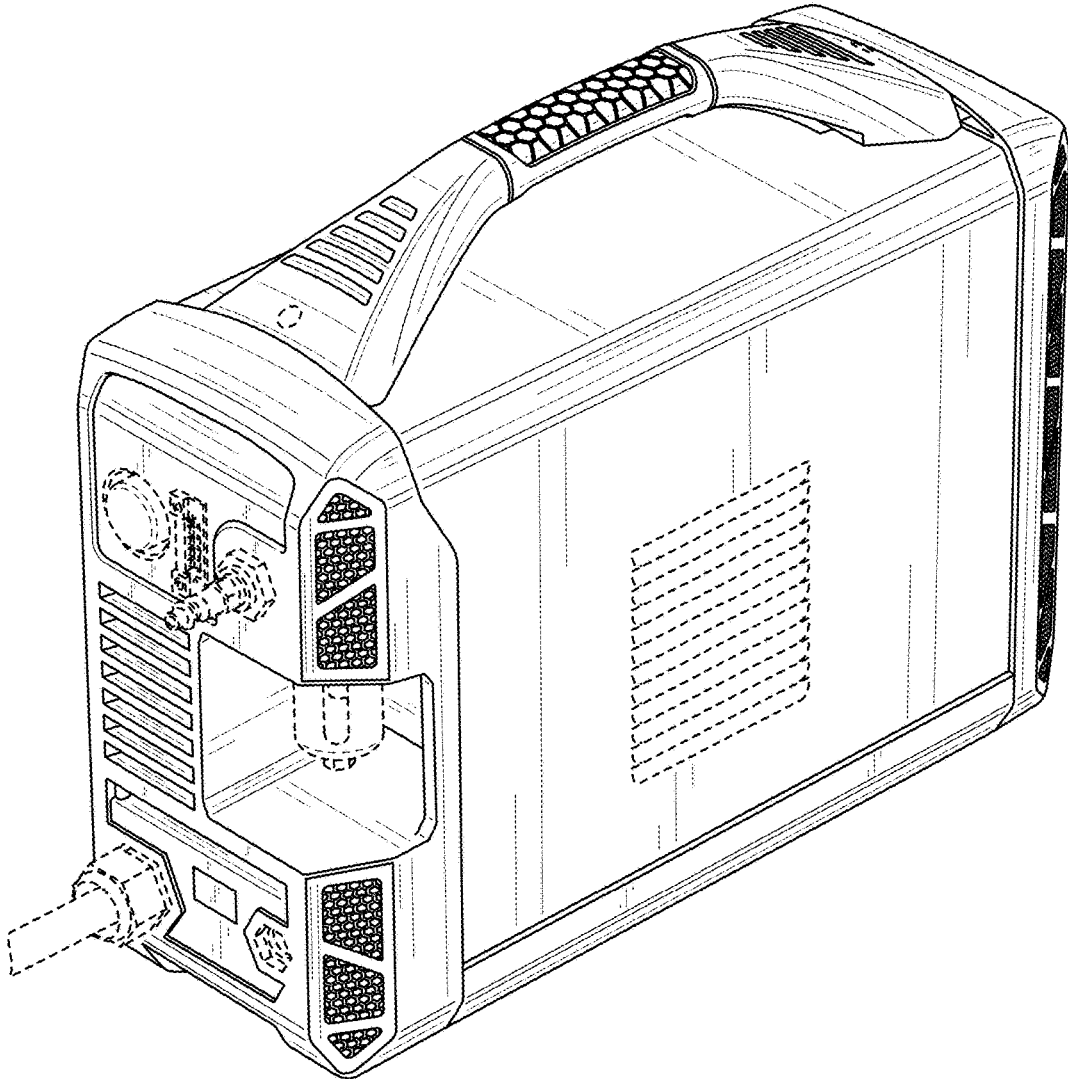


FIG. 14

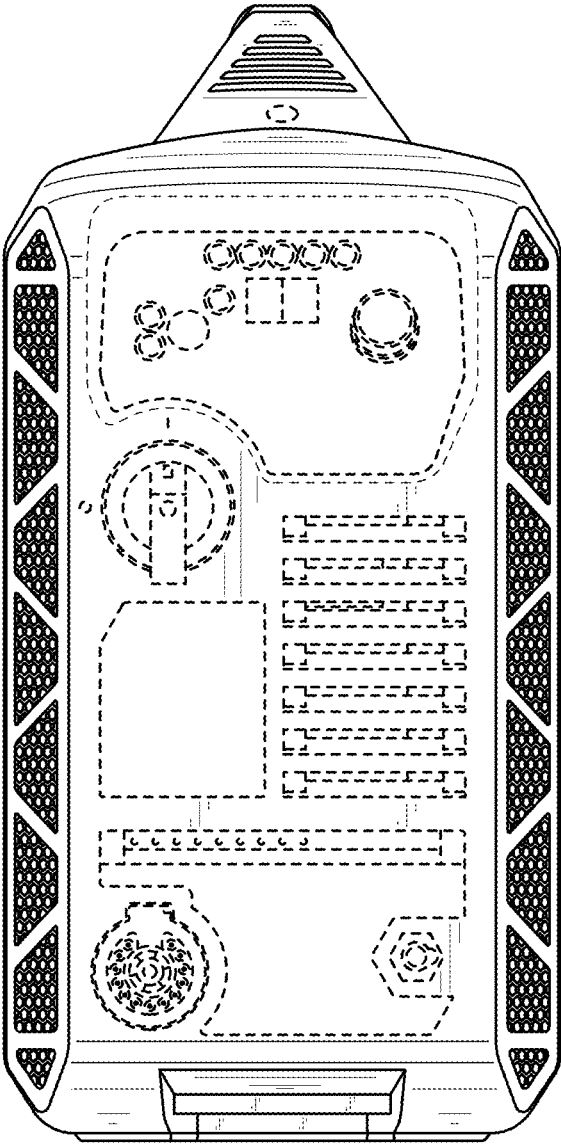


FIG. 15

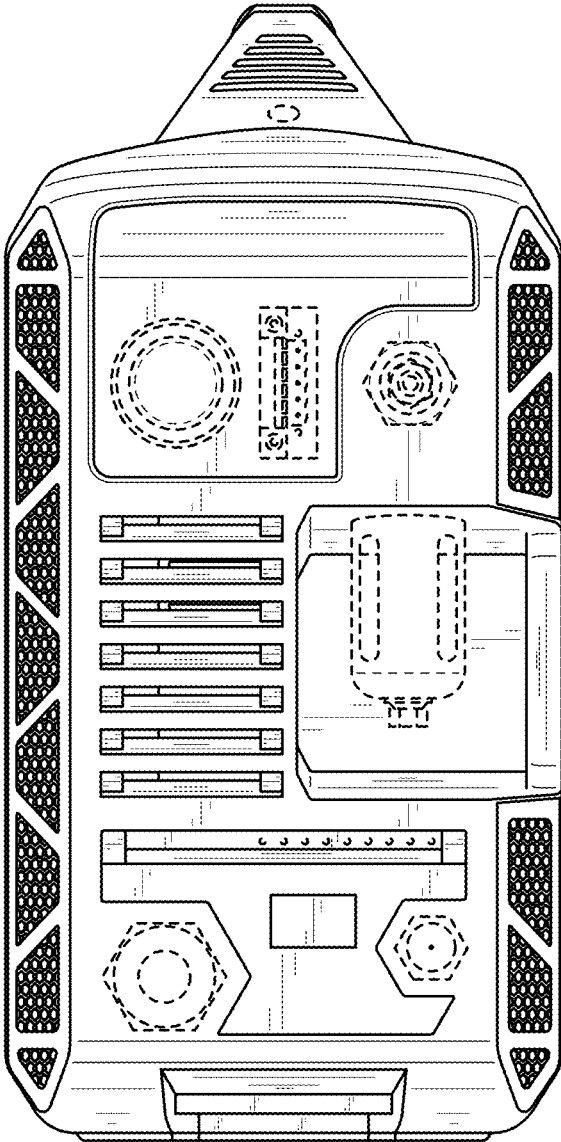


FIG. 16

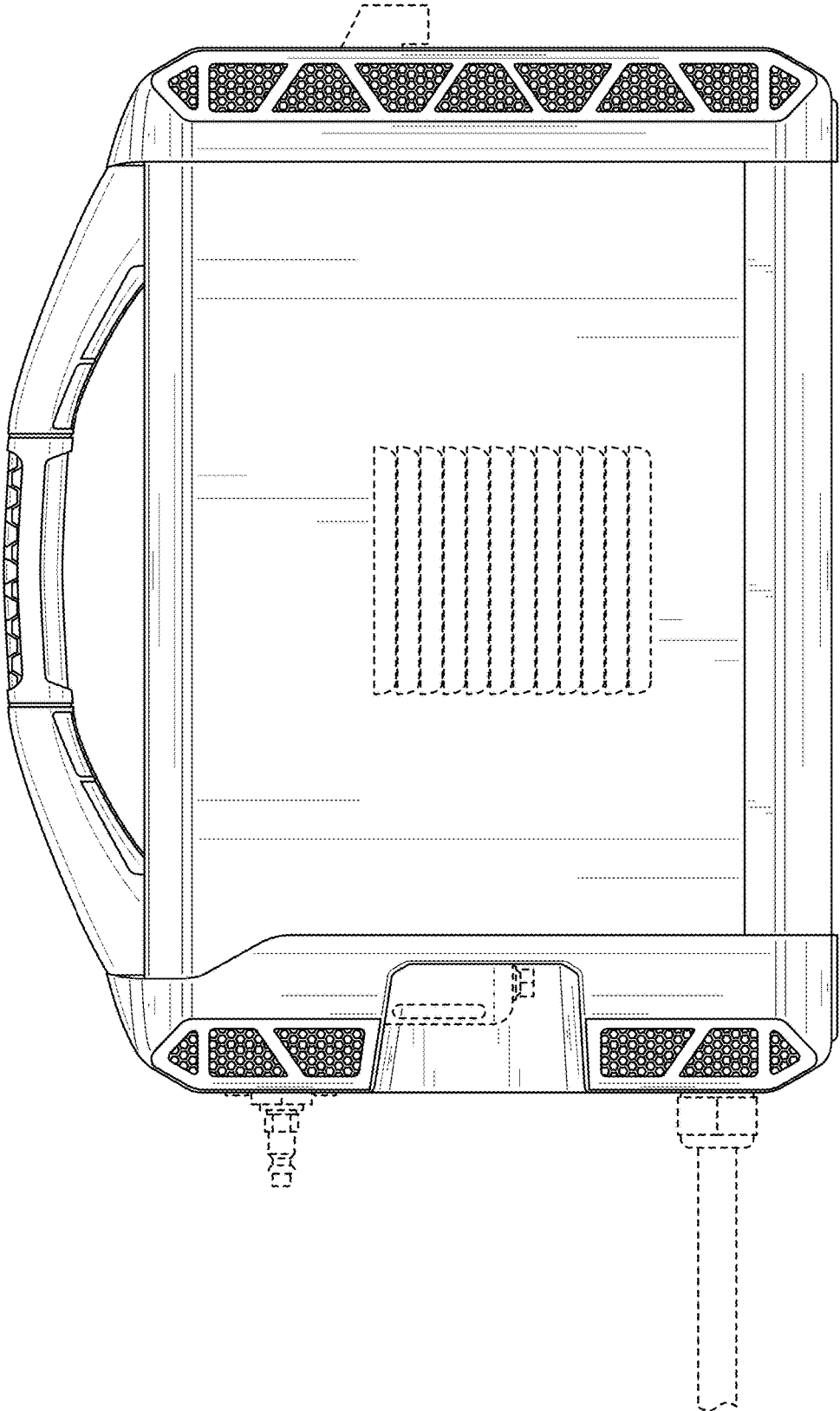


FIG. 17

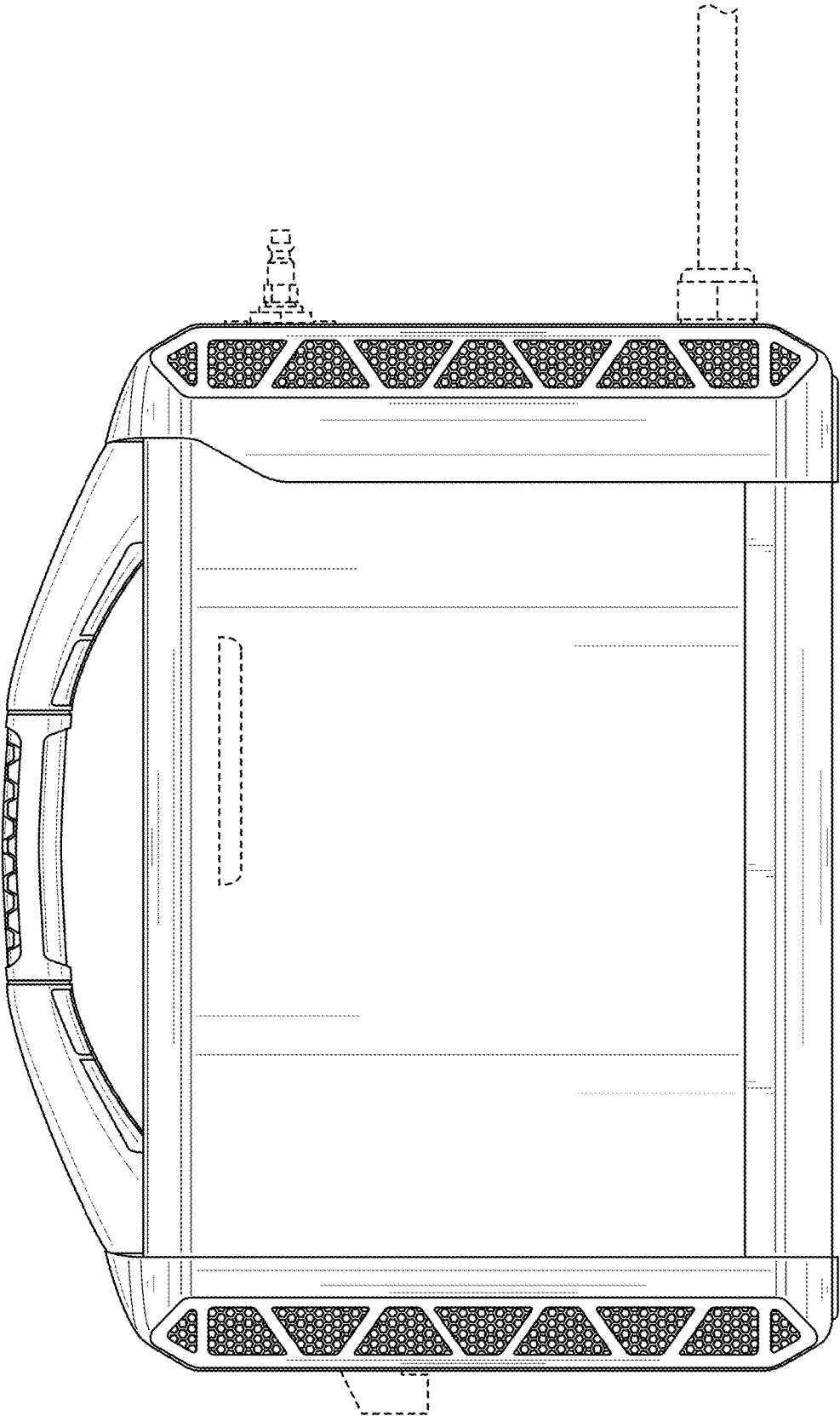


FIG. 18

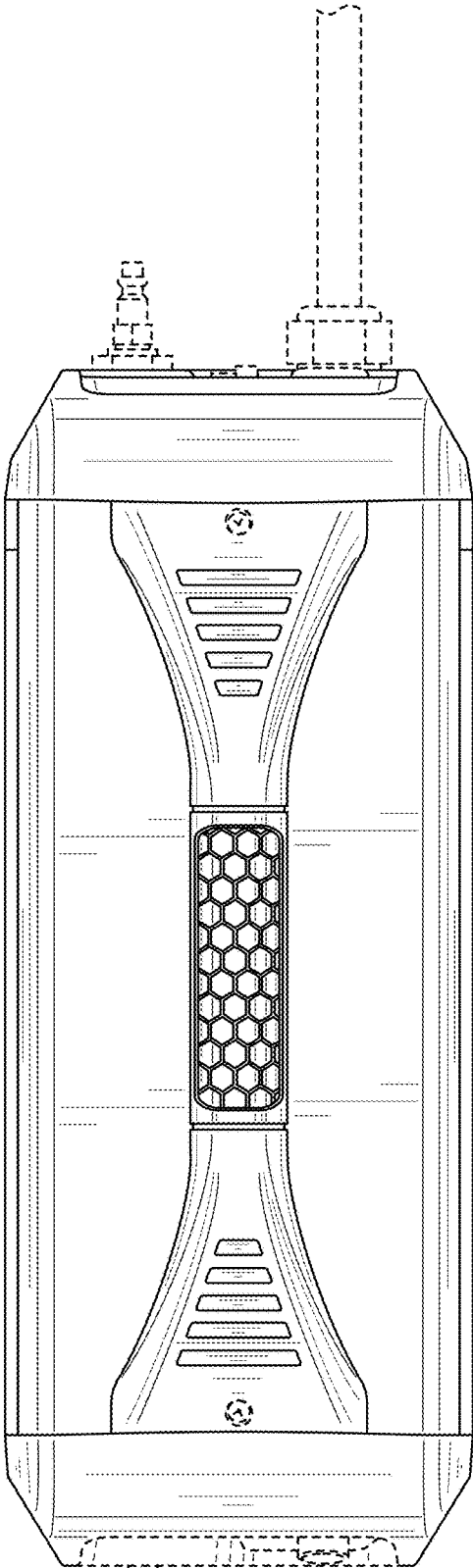


FIG. 19

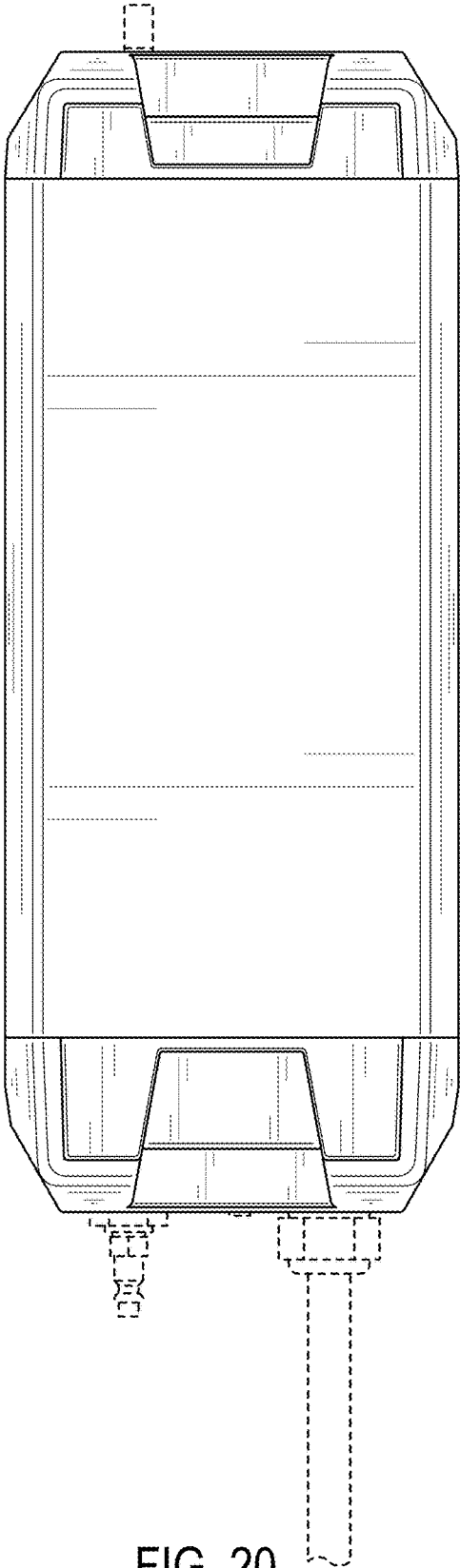


FIG. 20