

(19) World Intellectual Property Organization
International Bureau



(43) International Publication Date
17 April 2008 (17.04.2008)

PCT

(10) International Publication Number
WO 2008/045178 A3

(51) International Patent Classification:
A61B 17/58 (2006.01)

(21) International Application Number:
PCT/US2007/019998

(22) International Filing Date:
14 September 2007 (14.09.2007)

(25) Filing Language: English

(26) Publication Language: English

(30) Priority Data:
11/539,302 6 October 2006 (06.10.2006) US

(71) Applicant (for all designated States except US): **DEPUY SPINE, INC.** [US/US]; 325 Paramount Drive, Raynham, MA 02767 (US).

(72) Inventors; and

(75) Inventors/Applicants (for US only): **LAKE, Matthew** [US/US]; 6469 Camino Del Parque, Carlsbad, CA 92011 (US). **MAHONEY, Michael** [US/US]; 4 Gae Street, Middletown, RI 02842 (US). **BEARDSLEY, Timothy** [US/US]; 132 Indian Pond Road, Kingston, MA 02364 (US). **SICVOL, Christopher** [US/US]; 529 Columbus Ave #3, Boston, MA 02118 (US). **RAMSAY, Christopher**

[US/US]; 10 Donna Road, West Wareham, MA 02576 (US). **DUPAK, Erin** [US/US]; 5500 North Main Street, #16-201, Fall River, MA 02720 (US).

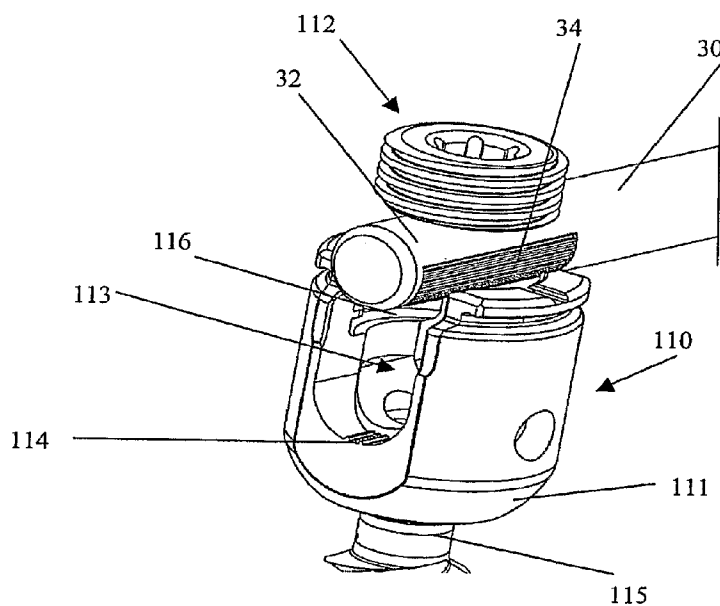
(74) Agents: **GEARY, William, C., III.** et al.; Nutter McClenen & Fish LLP, World Trade Center West, 155 Seaport Boulevard, Boston, MA 02210-2604 (US).

(81) Designated States (unless otherwise indicated, for every kind of national protection available): AE, AG, AL, AM, AT, AU, AZ, BA, BB, BG, BH, BR, BW, BY, BZ, CA, CH, CN, CO, CR, CU, CZ, DE, DK, DM, DO, DZ, EC, EE, EG, ES, FI, GB, GD, GE, GH, GM, GT, HN, HR, HU, ID, IL, IN, IS, JP, KE, KG, KM, KN, KP, KR, KZ, LA, LC, LK, LR, LS, LT, LU, LY, MA, MD, ME, MG, MK, MN, MW, MX, MY, MZ, NA, NG, NI, NO, NZ, OM, PG, PH, PL, PT, RO, RS, RU, SC, SD, SE, SG, SK, SL, SM, SV, SY, TJ, TM, TN, TR, TT, TZ, UA, UG, US, UZ, VC, VN, ZA, ZM, ZW.

(84) Designated States (unless otherwise indicated, for every kind of regional protection available): ARIPO (BW, GH, GM, KE, LS, MW, MZ, NA, SD, SL, SZ, TZ, UG, ZM, ZW), Eurasian (AM, AZ, BY, KG, KZ, MD, RU, TJ, TM), European (AT, BE, BG, CH, CY, CZ, DE, DK, EE, ES, FI, FR, GB, GR, HU, IE, IS, IT, LT, LU, LV, MC, MT, NL, PL,

[Continued on next page]

(54) Title: TORSIONALLY STABLE FIXATION



(57) Abstract: Methods and devices are provided for spinal fixation. In one exemplary embodiment, the methods and devices provide a spinal fixation system that can include a spinal connector which can be disposed within a recess in a head of a bone anchor. The spinal connector can have a variety of configurations. The methods and devices are particularly useful for unilateral fixation, in which one or more levels of the spine are stabilized along a single lateral side of the spine.

WO 2008/045178 A3



PT, RO, SE, SI, SK, TR), OAPI (BF, BJ, CF, CG, CI, CM,
GA, GN, GQ, GW, ML, MR, NE, SN, TD, TG).

Published:

— *with international search report*

(88) Date of publication of the international search report:

31 July 2008

INTERNATIONAL SEARCH REPORT

International application No.
PCT/US2007/019998

A. CLASSIFICATION OF SUBJECT MATTER
 IPC(8) - A61B 17/58 (2008.01)
 USPC - 606/61
 According to International Patent Classification (IPC) or to both national classification and IPC

B. FIELDS SEARCHED
 Minimum documentation searched (classification system followed by classification symbols)
 IPC(8) - A61B 17/58 (2008.01)
 USPC - 606/61

Documentation searched other than minimum documentation to the extent that such documents are included in the fields searched

Electronic data base consulted during the international search (name of data base and, where practicable, search terms used)
 PatBase

C. DOCUMENTS CONSIDERED TO BE RELEVANT

Category*	Citation of document, with indication, where appropriate, of the relevant passages	Relevant to claim No.
X	US 2006/0200130 A1 (HAWKINS et al) 07 September 2006 (07.09.2006) entire document	1-14
X	US 2006/0217719 A1 (ALBERT et al) 28 September 2006 (28.09.2006) entire document	15-17

Further documents are listed in the continuation of Box C.

* Special categories of cited documents:

"A" document defining the general state of the art which is not considered to be of particular relevance	"T" later document published after the international filing date or priority date and not in conflict with the application but cited to understand the principle or theory underlying the invention
"E" earlier application or patent but published on or after the international filing date	"X" document of particular relevance; the claimed invention cannot be considered novel or cannot be considered to involve an inventive step when the document is taken alone
"L" document which may throw doubts on priority claim(s) or which is cited to establish the publication date of another citation or other special reason (as specified)	"Y" document of particular relevance; the claimed invention cannot be considered to involve an inventive step when the document is combined with one or more other such documents, such combination being obvious to a person skilled in the art
"O" document referring to an oral disclosure, use, exhibition or other means	"&" document member of the same patent family
"P" document published prior to the international filing date but later than the priority date claimed	

Date of the actual completion of the international search 28 January 2008	Date of mailing of the international search report 24 MAR 2008
--	--

Name and mailing address of the ISA/US Mail Stop PCT, Attn: ISA/US, Commissioner for Patents P.O. Box 1450, Alexandria, Virginia 22313-1450 Facsimile No. 571-273-3201	Authorized officer: Blaine R. Copenheaver <i>[Signature]</i> PCT Helpdesk: 571-272-4300 PCT OSP: 571-272-7774
---	---