



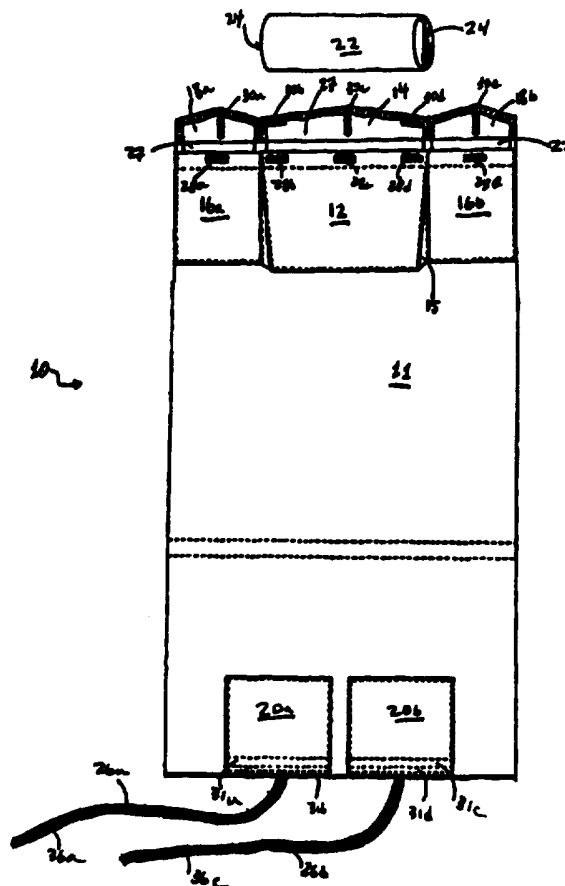
INTERNATIONAL APPLICATION PUBLISHED UNDER THE PATENT COOPERATION TREATY (PCT)

<p>(51) International Patent Classification ⁶ : A45C 15/00</p>	<p>A2</p>	<p>(11) International Publication Number: WO 96/16567 (43) International Publication Date: 6 June 1996 (06.06.96)</p>
<p>(21) International Application Number: PCT/US95/15363 (22) International Filing Date: 28 November 1995 (28.11.95) (30) Priority Data: 08/345,138 28 November 1994 (28.11.94) US (71)(72) Applicant and Inventor: ROBINSON, Lawrence, L. [US/US]; 3512 133rd Street S.W., Lynnwood, WA 98037 (US). (74) Agent: PARMELEE, Stephen, W.; Townsend and Townsend and Crew, One Market Plaza, Steuart Street Tower, San Francisco, CA 94105-1492 (US).</p>		<p>(81) Designated States: AM, AT, AU, BB, BG, BR, BY, CA, CH, CN, CZ, DE, DK, EE, ES, FI, GB, GE, HU, JP, KE, KG, KP, KR, KZ, LK, LR, LT, LU, LV, MD, MG, MN, MW, MX, NO, NZ, PL, PT, RO, RU, SD, SE, SI, SK, TJ, TT, UA, UZ, VN, European patent (AT, BE, CH, DE, DK, ES, FR, GB, GR, IE, IT, LU, MC, NL, PT, SE), OAPI patent (BF, BJ, CF, CG, CI, CM, GA, GN, ML, MR, NE, SN, TD, TG), ARIPO patent (KE, LS, MW, SD, SZ, UG).</p> <p>Published <i>Without international search report and to be republished upon receipt of that report.</i></p>

(54) Title: ROLL PACK

(57) Abstract

A roll pack (10) is formed from a sheet of material having first and second edges. A first storage pocket (12) is positioned along the first edge of the sheet of material. An enclosure (20) is positioned along a second edge of the sheet. A strap (26) is attached to the second edge of the sheet near the enclosure (20). The strap (26) may be confined by the enclosure (20). When extended, the strap (26) is used to secure the sheet of material when rolled up.



FOR THE PURPOSES OF INFORMATION ONLY

Codes used to identify States party to the PCT on the front pages of pamphlets publishing international applications under the PCT.

AT	Austria	GB	United Kingdom	MR	Mauritania
AU	Australia	GE	Georgia	MW	Malawi
BB	Barbados	GN	Guinea	NE	Niger
BE	Belgium	GR	Greece	NL	Netherlands
BF	Burkina Faso	HU	Hungary	NO	Norway
BG	Bulgaria	IE	Ireland	NZ	New Zealand
BJ	Benin	IT	Italy	PL	Poland
BR	Brazil	JP	Japan	PT	Portugal
BY	Belarus	KE	Kenya	RO	Romania
CA	Canada	KG	Kyrgystan	RU	Russian Federation
CF	Central African Republic	KP	Democratic People's Republic of Korea	SD	Sudan
CG	Congo	KR	Republic of Korea	SE	Sweden
CH	Switzerland	KZ	Kazakhstan	SI	Slovenia
CI	Côte d'Ivoire	LI	Liechtenstein	SK	Slovakia
CM	Cameroon	LK	Sri Lanka	SN	Senegal
CN	China	LU	Luxembourg	TD	Chad
CS	Czechoslovakia	LV	Latvia	TG	Togo
CZ	Czech Republic	MC	Monaco	TJ	Tajikistan
DE	Germany	MD	Republic of Moldova	TT	Trinidad and Tobago
DK	Denmark	MG	Madagascar	UA	Ukraine
ES	Spain	ML	Mali	US	United States of America
FI	Finland	MN	Mongolia	UZ	Uzbekistan
FR	France			VN	Viet Nam
GA	Gabon				

ROLL PACK

RELATED APPLICATIONS

5 The present invention is a continuation-in-part of Application Serial No. 08/345,138, filed November 28, 1994 which is incorporated in its entirety herein by reference for all purposes.

BACKGROUND OF THE INVENTION

10 The present invention generally relates to devices employed to carry objects. More particularly, the present invention relates to a pack which may also be used as, e.g., a towel or blanket.

15 People frequently engage in activities which require that a towel or picnic blanket be carried in addition to various accessory items. For example, people commonly tote a towel along with books, suntan lotion, car keys, and other items to, e.g., a beach to sunbathe or swim. In the past, these individuals had to lug a knapsack or bag to carry the
20 accessory items. The towel or blanket had to be carried separately or stuffed into the bag. In a similar situation, people living in barracks or dormitories frequently cart a towel, shaving kit, and shampoo to their community shower area. Carrying these items can become awkward and unwieldy.
25 It is desirable, for the sake of convenience, efficiency, and simplicity, to provide a towel or blanket capable of carrying these accessory items.

30 Mats and pads have been designed in a manner which permit them to be easily carried. For example, U.S. Patent Nos. 4,375,111 issued March 1, 1983 to Hall, and 4,671,393 issued June 9, 1987 to Rainey, each describe semirigid mats which can be folded to facilitate carrying using either
35 integral handles or by inserting the mat into a bag. However, no provision is made to carry a towel and other accessory items. The Rainey and Hall references increase, rather than reduce, the number of items to be carried, e.g., to a beach, shower, or picnic site.

Others have provided bags which include portions that unroll into a mat providing a dry and clean place to sit. U.S. Patent Nos. 4,068,786 issued January 17, 1978 to Taniguchi, 4,154,323 issued May 15, 1979 to Sneider, and French Patent No. 2,687,554 published August 27, 1993 to Juttet, each describe some form of tote bag which includes a folding mat portion. Again, however, a towel must still be carried by a user in addition to the tote bag. Further, the tote bags of Sneider and Juttet do not provide a full and comfortable surface upon which to recline. Sunbathers, for example, generally prefer to recline in a supine position. Any portion of the mat or tote which adds bulk can make the sunbather uncomfortable. Tote straps and handles get in the way, present dangers of entanglement, and can make a user uncomfortable. It is desirable to provide a device which eliminates or reduces the discomfort for a user while continuing to provide storage and carrying capabilities.

Sleeping bags and pads allow a user to fully recline. Some have also been designed with storage pockets. For example, U.S. Patent Nos. 730,877 issued June 16, 1903 to Clapham and 4,587,682 issued May 13, 1986 to Schultz each describe a sleeping bag arrangement which includes some storage for, e.g., clothing. Each of these designs, however, suffer in that a number of straps and buckles are required and because storage for bulky items are not provided. If, e.g., a book were stored in either the Schultz or Clapham designs, a user would not be able to comfortably recline on the bag. Further, these sleeping bags can not be used as towels. Not only is it desirable to provide a device which is comfortable and which has storage for bulky items, it is also desirable to permit the user to be able to dry off with, and wash the device as a normal towel.

Other designs have also been described. For example, U.S. Patent Nos. 4,101,994 issued July 25, 1981 to Hoyt, 4,197,891 issued April 15, 1980 to Comollo, and 5,110,219 issued May 5, 1992 to Lopes, each describe folding beach mats and tote bags. None satisfy the need to provide a device which can function as a towel and as a tote. None

permit a user to recline on the mat without discomfort from, e.g., stored items or handles. And further, none provide a simple approach to converting the mat into a carrying configuration.

5 Several designs have incorporated towels into a bag configuration. For example, U.S. Patent No. 5,346,308 issued September 13, 1994 to Buhot et al. details a beach towel which may be folded into a rucksack configuration. However, the design suffers in that complex folding and manipulation is
10 required to perform the conversion. Further, a user of the Buhot device will suffer from discomfort from having to recline on the storage bag portion of the towel. If items are stored in the towel, a user is forced to lay on top of the items. In addition, once the towel becomes wet, any items
15 carried in the rucksack will also become wet. French Patent No. 2577-406-A published August 22, 1986 suffers from similar deficiencies in that the towel must be folded in a number of directions to place the towel in the bag portion. Items cannot be stored in the towel when the towel is in use.

20 A number of the above-noted references also suffer in that they use hardware and carrying straps which may clog or fail when used, e.g., on a beach. Sand can clog or damage unprotected hardware or straps. Further, sand tends to infiltrate pockets and other storage locations, making them
25 unsuitable for the storage of items, such as eye glasses or food items, which could be harmed by the abrasive and intrusive effects of sand.

 It is, therefore, desirable to provide a device which functions as a towel, which is readily converted to a
30 carrying configuration, and which provides weather and sand-proof storage for items typically carried, e.g., to the beach. The device should also provide a place on which to sit or lie free from uncomfortable and annoying straps, pockets or other obstructions.

35

SUMMARY OF THE INVENTION

 Accordingly, a roll pack is provided which is formed from a sheet of material having first and second edges. In

one specific embodiment, a first storage pocket is positioned along the first edge of the sheet of material. A strap pocket is positioned along a second edge of the sheet. A strap is attached to the second edge of the sheet near the strap
5 pocket. The strap may be stored in the strap pocket. When extended, the strap is used to secure the sheet of material when rolled up.

The roll pack may include several pockets along the first edge, each of which may have waterproof lining and may
10 be sealed using, e.g., hook-and-loop fasteners. A second roll strap may also be provided to secure the roll. The second roll strap may also be stored in a strap pocket. This serves to both protect the roll straps and to ensure that a user of the roll pack is not disturbed or annoyed by the roll straps.
15 One of the pockets along the first edge may be formed to store a pillow. The other pockets may store items to be carried using the roll pack. A user may comfortably lie on top of the sheet while items are stored in the pockets.

In one embodiment, the sheet of material is a towel,
20 and the entire roll pack may be used as a towel. In another embodiment, the sheet of material is a blanket.

Carrying hardware may also be provided to facilitate carrying of the roll pack once in a rolled configuration. A removable shoulder strap and carrying handle may be provided.
25

For a fuller understanding of the nature and advantages of the invention, reference should be made to the ensuing description taken in conjunction with the accompanying drawings.

BRIEF DESCRIPTION OF THE DRAWINGS

30 Figure 1 is a top view of one embodiment of a roll pack according to the present invention;

Figure 2 is a bottom view of the roll pack of Figure 1;

35 Figure 3 is a perspective view of the roll pack of Figures 1-2 in a carrying configuration;

Figure 4 is a top view of a second embodiment of a roll pack according to the present invention;

Figure 5 is a bottom view of the roll pack of Figure 4; and

Figure 6 is a perspective view of the roll pack of Figures 4-5 in a carrying configuration.

5

DESCRIPTION OF SPECIFIC EMBODIMENTS

Embodiments of the present invention will now be described by first referring to Fig. 1, where a top view of a roll pack 10 is shown. Roll pack 10, in one specific embodiment, may include a top surface 11 having a length and a width. Several pockets are formed on the roll pack 10. Side pockets 16a,b and center pocket 12 are positioned along one end of the roll pack while roll strap pockets 20a,b are positioned along a second end of the roll pack 10. Roll straps 26a,b are coupled to the second end of the roll pack. These straps may be stored within roll strap pockets 20a,b. Each pocket, including side pockets 16a,b, center pocket 12, and roll strap pockets 20a,b, may be closed to protect items stored therein. In the embodiment depicted in Fig. 1, roll strap pockets 20a,b are formed on the top surface of the roll pack 10. This permits easy access to the roll straps when the roll pack is spread out on the ground. However, the roll strap pockets 20a,b may also be formed on the bottom surface of the pack or split among both surfaces.

In one specific embodiment designed for use as a beach towel, roll pack 10 may be formed from terry cloth or other suitably absorbant material. Each of the pockets may be formed from similar material to permit the entire roll pack 10 to be used as a towel. The pockets may be sealed to protect and secure items contained therein. In one embodiment, side pockets 16a,b and center pocket 12 are sealed using side pocket flaps 18a,b and a center pocket flap 14. Each of these flaps may be provided with pocket closures 30a-e. These pocket closures 30a-e mate with pocket fasteners 28a-e provided on a surface of the side pockets 16a,b and the center pocket 12. In one specific embodiment, pocket closures 30a-e and pocket fasteners 28a-e may be formed using matching strips of hook-and-loop fasteners. Pocket closures 30a-e and pocket

fasteners 28a-e may be secured to the flaps 14, 18a,b and pockets 12, 16a,b respectively, by stitches, glue, or the like.

5 Any or all of the pockets 12, 16a,b may be formed to have a depth. For example, in the embodiment depicted in Fig. 1, center pocket 12 has a depth 15 to accommodate larger items. For example, a pillow 22 may be inserted into pocket 12. Pillow 22 may be constructed from foam and provided with an exterior cover which contains, e.g., pillow pockets 24
10 positioned at one or both ends of the pillow 22. These pillow pockets 24 may be concealed, and may be used to store valuable items which require an extra measure of security such as car keys or money. Pillow 22 and center pocket 12 are preferably positioned in the center of one end of the roll pack 10 to
15 permit, e.g., a sunbather to comfortably lie on the roll pack 10 without discomfort. Side pockets 16a,b are sized to permit the storage of relatively large items, such as a book, suntan lotion, or the like. These pockets are preferably positioned on each side of the center pocket 12. The result is a roll
20 pack which can store items in side pockets 16a,b while permitting a user to comfortably lie on top of the towel. In a preferred embodiment, pockets 12 and 16a,b are separated from each other by stitching between the pockets. Alternatively, a single large pocket may be formed with hook-
25 and-loop fasteners placed to separate portions into a center pocket portion and side pocket portions. In another embodiment of the present invention, pillow 22 is formed of closed cell foam designed to provide flotation. In this manner, a roll pack 10 may be used as an emergency flotation
30 aid.

Roll strap pockets 20a,b may also be sealed from the environment. In one specific embodiment, the roll strap pockets are not provided with flaps. Instead, connector strips 31a-d may be provided to securely close roll strap
35 pockets 20a,b. These connector strips 31a-d may also be formed from, e.g., matching hook-and-loop fastener strips. Connector strips 31a-d may be secured to the roll strap pockets 20a,b using stiches, glue, or other methods known in

the art. Roll strap pockets 20a,b are used to hold and protect roll straps 26a,b. Roll straps 26a,b may be placed inside roll strap pockets 20a,b and secured by coupling connectors 31a-d. Each of the pockets 12, 16, and 20 may include an inner waterproof lining 27. The under portion of flaps 14, 18 may also include a waterproof lining 27. This waterproof lining serves to protect items stored within pockets 12, 16 and 20.

The use of the closures and fasteners in conjunction with the lined pockets enables a user to seal the pockets from the environment, effectively protecting the contents of the pockets from water, sand, dirt, sun, or other potentially damaging matter. Further, the flaps and fasteners ensure that items stored in the pockets do not fall out when the roll pack 10 is carried by a user or when the pack is used as a towel to dry a user off.

Roll straps 26a,b are coupled to a second end of the roll pack 10. These straps are secured to the roll pack 10, e.g., using stitches, glue or the like, and are used to secure roll pack 10 when assembled into a carrying configuration as described below. In one embodiment, the straps may be formed from, e.g., nylon webbing or other sturdy material. Roll straps 26a,b are provided with mating roll strap connector strips 36a-d attached to the straps. These connector strips may be formed from matching hook-and-loop fastener strips sewn, glued, or otherwise attached to the roll straps. Roll strap pockets 20a,b are positioned to receive the roll straps 26a,b when the straps are folded or otherwise placed inside pockets 20a,b. The pockets, which may be sealed from the environment as described above, allow the roll straps 26a,b to be stored neatly and out of the way so that, e.g., a sunbather does not become entangled in or bothered by the straps. Protection from the environment ensures the roll strap connector strips 36a-d are preserved. If, for example, hook-and-loop fasteners are used, the pockets will permit storage and protection of these fasteners, ensuring they are not clogged with, e.g., sand or dirt. The performance of hook-and-loop fasteners can be degraded or impaired when such

materials foul the hooks and/or loops. Thus, the useful life of the roll pack 10 may be extended by providing pockets for the roll straps 26a,b.

5 Referring now to Fig. 2, the bottom portion of a specific embodiment of the roll pack 10 is shown. The roll pack 10 includes a bottom surface 13, a support strip 34, carrying hardware 48, and a carrying handle 52. Support strip 34 may be formed from a thin strip of material to provide lateral support to the roll pack 10 when carried while
10 permitting use of the roll pack as a flexible, absorbant towel. This support strip 34 may be sewn, glued or otherwise attached to the bottom surface 13 of the roll pack 10. Carrying hardware 48 and carrying handle 52 may be attached to roll pack 10 and to the support strip 34. Carrying hardware
15 48 may include a pair of D-rings 50a,b coupled to a shoulder strap 44 and to the carrying handle 52 via detachable clips 51a,b. The carrying handle 52 may be formed from a thin strip of nylon webbing which may be reinforced with, e.g., a leather carrying strap. In one embodiment, the carrying handle 52 is
20 removably coupled to the pair of D-rings using detachable clips 51a,b.

The carrying hardware 48 is placed on the bottom portion 13 of the roll pack 10 to ensure that a user, such as a sunbather, may lie in a prone position on the top surface of
25 the roll pack without experiencing discomfort from the carrying hardware. Typically, a user will lie in a position such that her head rests on pillow 22 positioned within center pocket 12. In this fashion, carrying hardware 48 is located at or near the users knees. User comfort may be further
30 enhanced by forming support strip 34 from a length of terry cloth material or the like. This shelters a user from the carrying hardware while providing some support to the roll pack 10 when carried. A user will typically remove the carrying handle 52 and shoulder strap 44 to further maximize
35 comfort while lying or sitting on the roll pack 10. The handle and strap may be stored in one of the pockets 12, 16a,b of the roll pack 10. Other types of carrying hardware 48 may

also be used to facilitate carrying of the pack and to improve user comfort.

Roll pack 10 may be formed into a pack to permit easy carrying of both the roll pack as well as the items stored within pockets of the pack. The roll pack 10 is rolled from the end having center pocket 12 toward the end having roll strap pockets 20a,b. Roll straps 26a,b are then wrapped around the exterior of the rolled pack to secure the towel in the rolled configuration. Roll straps 26a,b are secured by mating roll strap connector strips 36a/36b and 36c/36d to one another. A roll pack 10 in pack form is shown in Fig. 3. This configuration ensures that items stored within the center or side pockets are very secure during transport, protected by both securing the flaps and by rolling the pockets within the pack. Stored items will be securely contained within the pack during a long walk even if a user forgets to close a flap. The roll pack 10 may be quickly assembled into pack form. No complex folding is required. Further, the capacity of the pack may be expanded if a large item is carried within one of the pockets--to accommodate a larger item, roll straps 26a,b are simply expanded accordingly.

A shoulder strap 44 may be coupled to carrying hardware 48 to permit easy carrying of the roll pack. Shoulder strap 44 may include a shoulder patch 45 to provide further carrying comfort. In one embodiment, the strap is formed from a strip of nylon webbing, although any durable material may be used. A strip of terry cloth material may also be used, for example. A pair of clips 49a,b may be used to secure the shoulder strap to the carrying hardware 48 via D-rings 50a,b, although other attachment mechanisms may be used, including, as examples, buttons, snaps, hook-and-loop fasteners, and the like. Preferably, any attachment mechanism used will permit ready removal of the shoulder strap 44 to ensure user comfort when the roll pack 10 is laid out for use or when the roll pack is used as a towel.

The result is a device which easily converts from, e.g., a towel to a pack. The device is comfortable to lie on, as it does not have any obstructions or bulky portions.

Protective pockets are provided which permit dry and sand free storage of items typically carried, e.g., to the beach. The device, thus, functions as a towel, as a pack, and as a comfortable place on which to sit or lie.

5 A second specific embodiment of a roll pack 70 according to the present invention will now be described by first referring to Fig. 4. In this specific embodiment, roll pack 70 may be used as, e.g., a bath towel. Roll pack 70 has a top surface 72, two roll strap pockets 20a,b and a pair of
10 roll straps 26a,b on one end of the roll pack 70. A large segmented pocket 76 is placed on the other end. Large segmented pocket 76 may be divided into a number of smaller pockets 76a-c. This division may be permanently made, by stitching, gluing or otherwise dividing pockets 76a-c.
15 Alternatively, the division may be nonpermanent. For example, pockets 76a and 76b may be separated using buttons or hook-and-loop construction. Such a division would permit expansion or contraction of the pockets as needed, e.g., from a single large pocket to three smaller pockets to one large pocket and
20 one small pocket.

Each pocket, including roll strap pockets 20a,b and pockets 76a-c, may be closed using pocket closures 31a-d and 77, 78. These pocket closures may be formed from strips of matching hook-and-loop fasteners. Each of the pockets may
25 also be provided with waterproof lining to protect items stored therein.

Referring to Fig. 5, the bottom surface 74 of roll pack 70 is shown. In this particular embodiment, no devices or attachments are exposed on the bottom surface, freeing the
30 entire surface for use, e.g., as a bath towel. Shoulder strap 44 is shown attached to roll straps 26a,b. Shoulder strap is removably coupled to the roll straps at attachment points 80a,b. In one embodiment, shoulder strap 44 may be attached using buttons, one positioned at point 80a, and one at point
35 80b. In another embodiment, the shoulder strap 44 may be attached using hook-and-loop fasteners or snaps. Other fasteners may also be employed. Every component, including the pockets, the roll straps, and the shoulder strap of roll

pack 70 may be formed from terry cloth or other suitably absorbant material. This facilitates use of the entire device as a bath towel. A typical user of roll pack 70 is a dormitory resident. The resident's shaving kit may be placed
5 in waterproof pocket 76b, while a change of underwear or other items may be placed in pockets 76a or 76c. These items will be protected by the waterproof lining of the pockets. The roll pack 70 may then be rolled into a carrying configuration as shown in Fig. 6. Items stored in the pockets 76a-c will be
10 securely stowed within the roll pack 70. The dormitory resident may then easily carry the entire pack, e.g, slung over her shoulder, to the dormitory showering facility. Once there, the pack may be unrolled and the roll straps, carrying handle, and shoulder strap stowed within the pockets of the
15 roll pack. The pack may then function as a bath towel.

The result is a pack which functions both as a carrying device as well as a towel. The roll pack 70 is easily assembled into a carrying configuration, and securely stores items to be carried. Items stored within the roll pack
20 70 are protected by a waterproof lining. Further, the entire configuration may be washed as a normal towel.

As will be appreciated by those familiar with the art, the present invention may be embodied in other specific forms without departing from the spirit or essential
25 characteristics thereof. For example, a shoulder strap and roll straps may be incorporated into a single element by using a shoulder strap with two loops large enough to receive a roll pack in a rolled configuration. The shoulder strap and loops may be formed from a length of nylon webbing. In this
30 embodiment, roll straps and roll strap pockets do not need to be provided on the roll pack, thereby minimizing cost and construction time.

Roll packs according to the present invention may also be used to carry larger quantities of accessory items.
35 For example, a picnic blanket may be provided with pockets and roll straps as detailed above. Additional pockets may also be provided along the spare edges of the picnic blanket to store further items. Further still, end caps may be provided to

secure items stored within the blanket. These end caps may be circular in shape and may be positioned in the open ends of the rolled blanket. The end caps may be secured using, e.g., draw strings. These end caps may serve double duty by also
5 being used as plates for a picnic.

Other variations and embodiments are also possible. For example, while hook-and-loop fasteners have been described, other fasteners known in the art may also be used. In addition, while roll strap pockets have been described,
10 other enclosures for the straps may be provided. Roll straps have been described to secure the roll pack. However, any of a number of attachment methods may be used to secure the pack, including buttons, straps, hook-and-loop fasteners, snaps, and the like.

15 Accordingly, the disclosure of the invention is intended to be illustrative, but not limiting, of the scope of the invention which is set forth in the following claims.

WHAT IS CLAIMED IS:

1. A roll pack, comprising:
a sheet of material, said material having a first
5 edge and a second edge positioned apart from said first edge;
at least a first storage pocket, positioned along
said first edge;
at least a first enclosure, positioned along said
second edge;
10 at least a first strap, positioned along said second
edge and proximate said at least first enclosure, wherein said
at least first strap is confined by said at least first
enclosure;
wherein said at least first strap is used to secure
15 said sheet of material when said sheet is rolled up.
2. The roll pack of claim 1 further comprising at least
a second and a third storage pocket positioned adjacent said
at least first storage pocket.
20
3. The roll pack of claim 1 further comprising:
a second strap, positioned along said second edge
proximate a second enclosure and confined by said second
enclosure.
25
4. The roll pack of claim 1 further comprising a
pillow, formed to fit within said at least first storage
pocket.
- 30 5. The roll pack of claim 2 wherein each of said
storage pockets have a waterproof lining.
6. The roll pack of claim 2 wherein each of said
storage pockets are sealable.
35
7. The roll pack of claim 2, further comprising:
a shoulder strap, removably coupled between said
first and second straps.

8. The roll pack of claim 1, further comprising:
a support strip, positioned between said first and
second edges, for providing lateral support to said roll pack;
5 strap hardware, coupled to said support strip; and
a shoulder strap, removably coupled to said strap
hardware.

9. The roll pack of claim 8, further comprising:
10 a carrying handle, removably coupled to said strap
hardware.

10. The roll pack of claim 1 wherein said sheet of
material is a sheet of absorbant cloth and said roll pack is
15 used as a towel.

11. The roll pack of claim 1 wherein said sheet of
material is a blanket.

20 12. A towel pack, comprising:
a towel;
at least a first pocket, positioned at one end of
said towel, said first pocket having a waterproof lining and a
closing device for closing said at least first pocket;
25 attachment means for securing said towel in a rolled
configuration.

13. The towel pack of claim 12 wherein said attachment
means includes:
30 a first and a second roll strap, attached to a
second end of said towel;
at least a first attachment point on each of said
first and second roll straps, for securing said first and
second roll straps around said towel.

35

14. The towel pack of claim 13 further comprising:

first and second roll strap pockets, positioned on said towel proximate said first and second roll straps, for receiving said first and second roll straps.

- 5 15. The towel pack of claim 13 further comprising:
 a support strip, positioned between said first and
second ends of said towel;
 strap ties, attached to said support strip, for
removably coupling a shoulder strap to said towel pack.
- 10 16. The towel pack of claim 15 further comprising:
 a carrying handle, removably coupled to said strap
ties.
- 15 17. The towel pack of claim 12 further comprising second
and third pockets, positioned along said first edge of said
towel, said second and third pockets each having a waterproof
lining and a closing device for closing said second and third
pockets.
- 20 18. The towel pack of claim 12 wherein said attachment
means comprises:
 a removable carrying strap having a first loop and a
second loop, said first and second loops adapted to receive
25 said towel when said towel is rolled up.
19. The towel pack of claim 13 wherein one of said
first, second and third pockets is adapted to receive a
pillow.

20. A roll pack, comprising:
- a sheet of material;
 - at least a first pocket, positioned at one end of said sheet of material, said first pocket having a waterproof lining and a closing device for closing said at least first pocket;
 - means for securing said sheet of material in a rolled configuration; and
 - a removable carrying device coupled to said sheet of material for carrying said sheet of material in said rolled configuration.

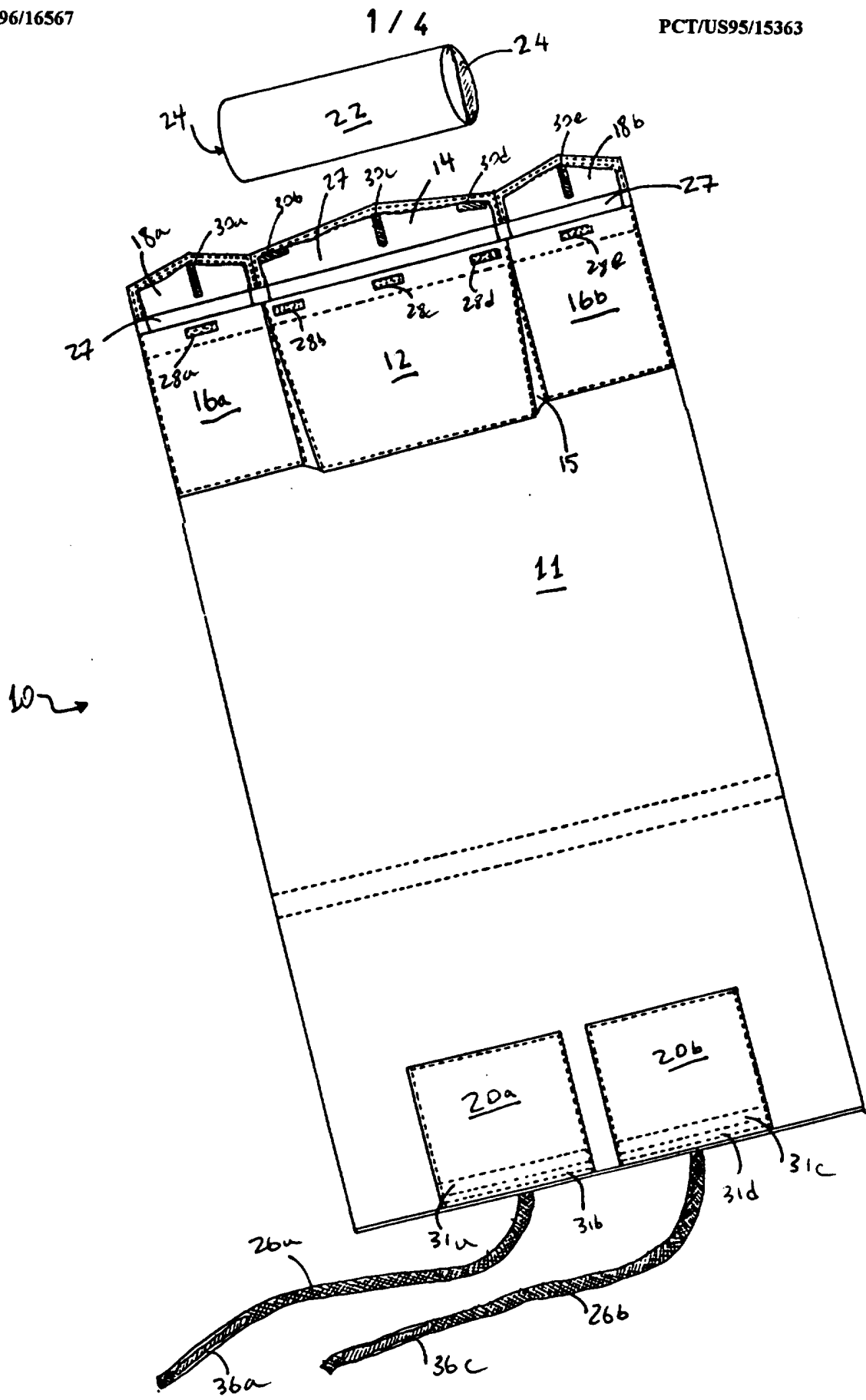


Fig. 1

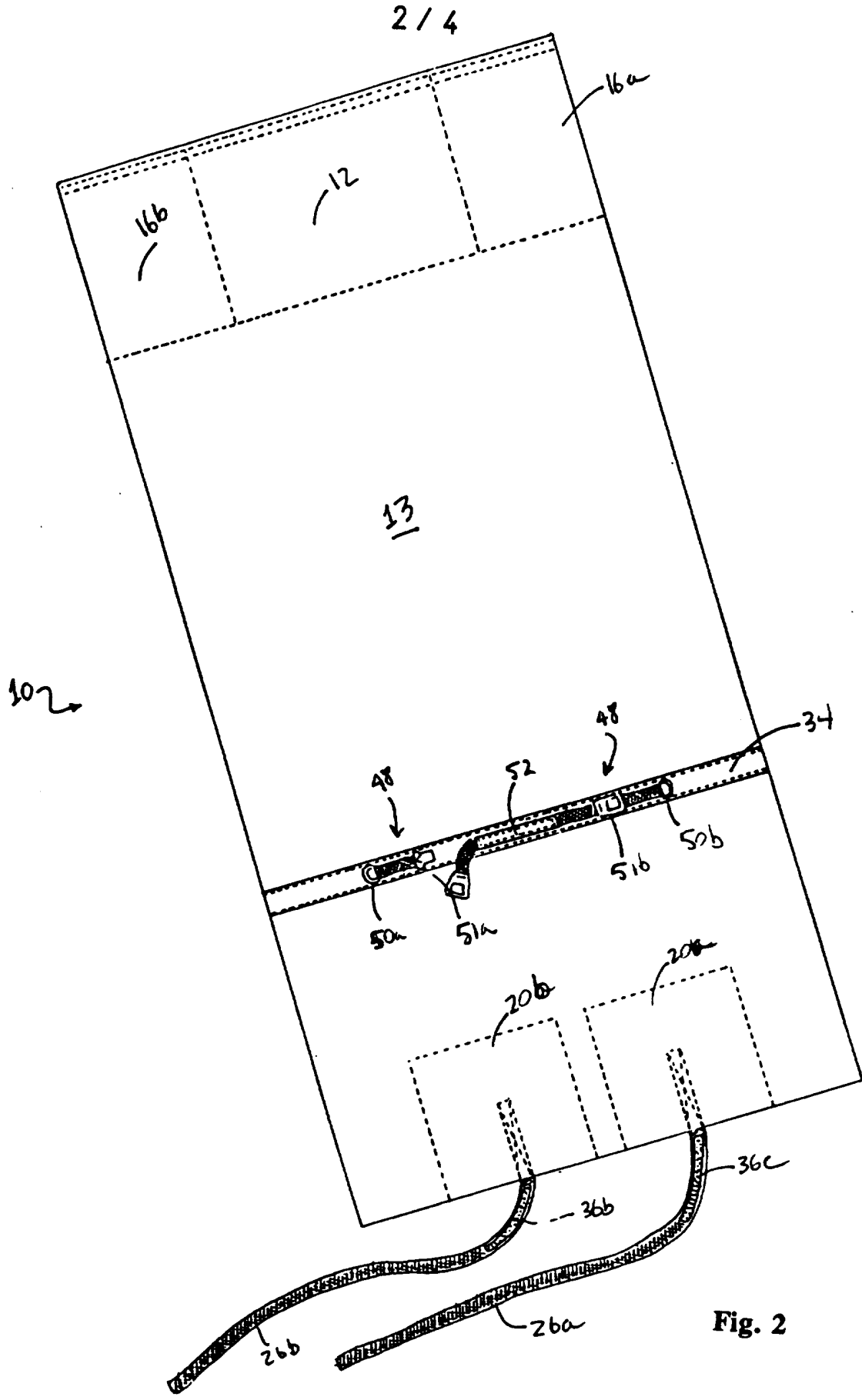


Fig. 2

FIG. 3

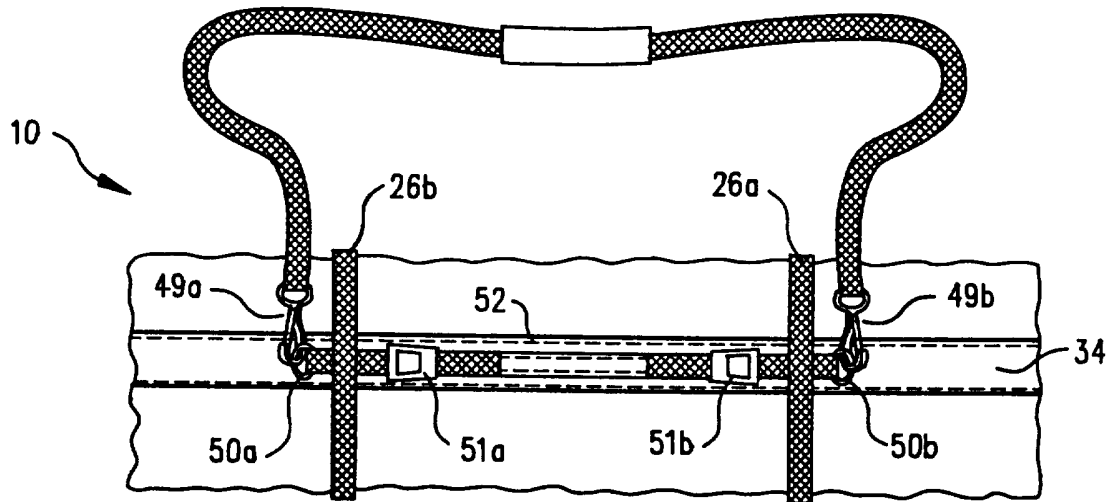


FIG. 6

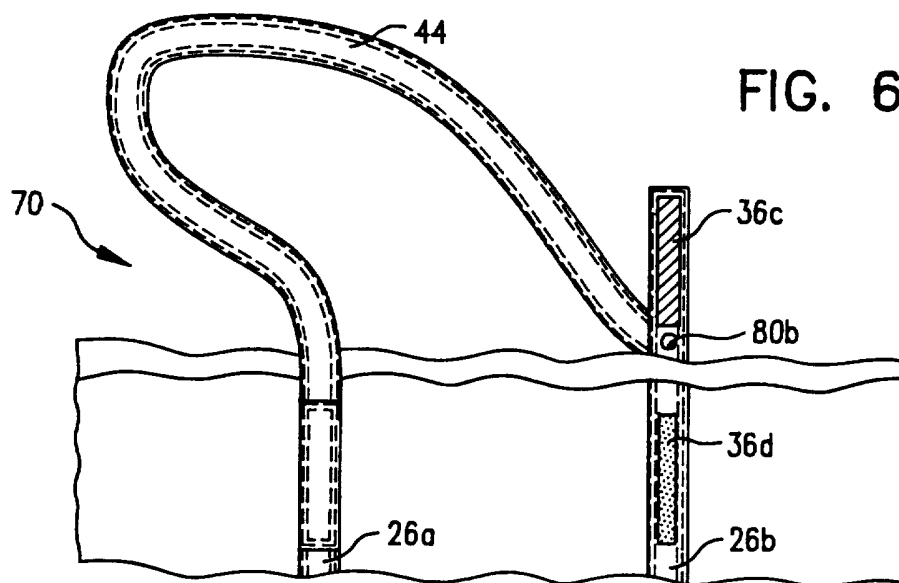


FIG. 4

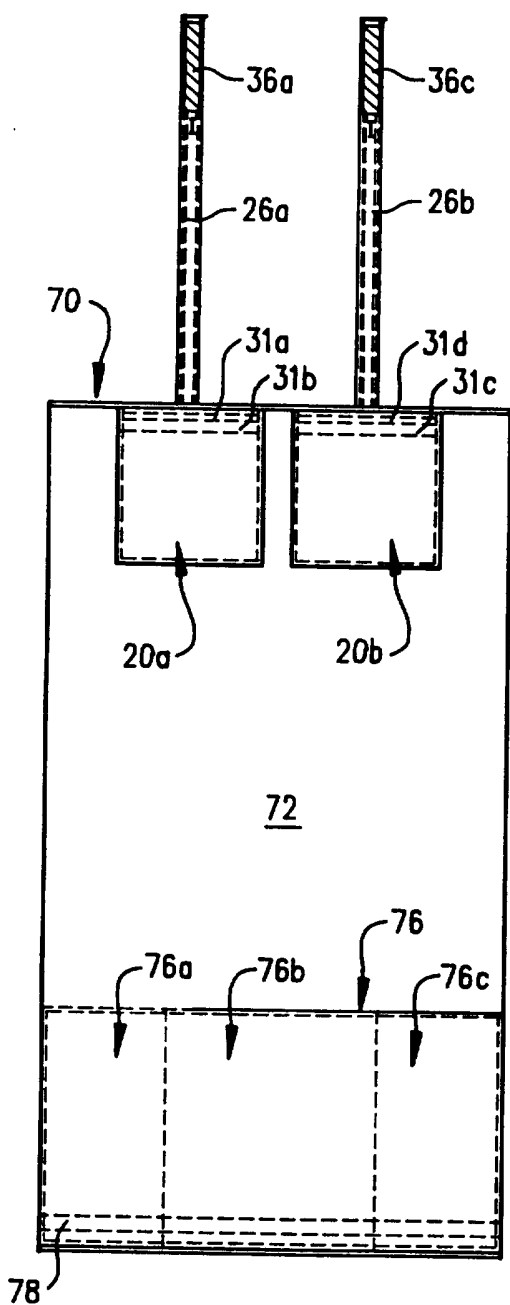


FIG. 5

