



US00D342988S

# United States Patent [19]

[11] Patent Number: **Des. 342,988**

Jans

[45] Date of Patent: **\*\* Jan. 4, 1994**

- [54] **FAUCET HANDLE**
- [75] Inventor: **Franz W. Jans, Roedermark, Fed. Rep. of Germany**
- [73] Assignee: **JADO Bathroom and Hardware Manufacturing Co., Camarillo, Calif.**
- [\*\*] Term: **14 Years**
- [21] Appl. No.: **9,793**
- [22] Filed: **Jun. 22, 1993**

- D. 325,959 5/1992 Kolada ..... D23/252
- D. 327,119 6/1992 Kohler, Jr. .... D23/252
- D. 327,533 6/1992 Caywood ..... D23/252
- D. 331,450 12/1992 Haug et al. .... D23/252

### OTHER PUBLICATIONS

Domestic Engineering, Feb. 1987, p. 55.  
*Primary Examiner*—James R. Largen  
*Attorney, Agent, or Firm*—H. Michael Brucker

### CLAIM

[57] The ornamental design for a faucet handle, as shown.

### Related U.S. Application Data

- [62] Division of Ser. No. 626,180, Dec. 11, 1990, Pat. No. Des. 339,849.
- [52] U.S. Cl. .... **D23/252**
- [58] Field of Search ..... 4/675-678; D8/300, 307-312; 16/116, 121; D23/238-257

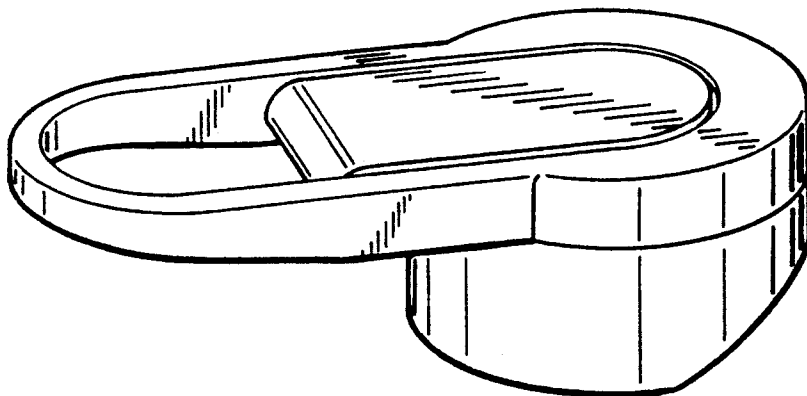
### References Cited

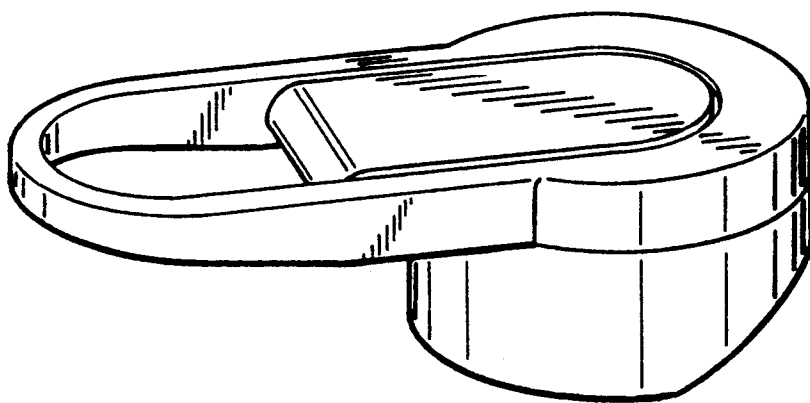
#### U.S. PATENT DOCUMENTS

- D. 254,088 1/1980 Haug ..... D23/252
- D. 291,238 8/1987 Haug et al. .... D23/252
- D. 303,565 9/1989 Paul ..... D23/242
- D. 314,228 1/1991 Haug et al. .... D23/238
- D. 324,095 2/1992 Grohe ..... D23/238
- D. 324,904 3/1992 Haug et al. .... D23/238

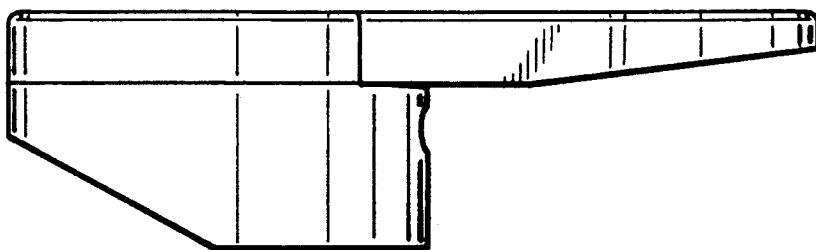
### DESCRIPTION

FIG. 1 is a perspective view taken from the top and right side of a faucet handle showing my new design; FIG. 2 is a left side elevational view thereof, the right side being a mirror image of the left side; FIG. 3 is a top plan view thereof; FIG. 4 is a bottom plan view thereof; FIG. 5 is a front elevational view thereof; FIG. 6 is a rear elevational view thereof; FIG. 7 is a perspective view taken from the top and right side of a second embodiment thereof; FIG. 8 is a perspective view taken from the top and right side of a third embodiment thereof; and, FIG. 9 is a perspective view taken from the top and right side of a fourth embodiment there.





*FIG. 1*



*FIG. 2*

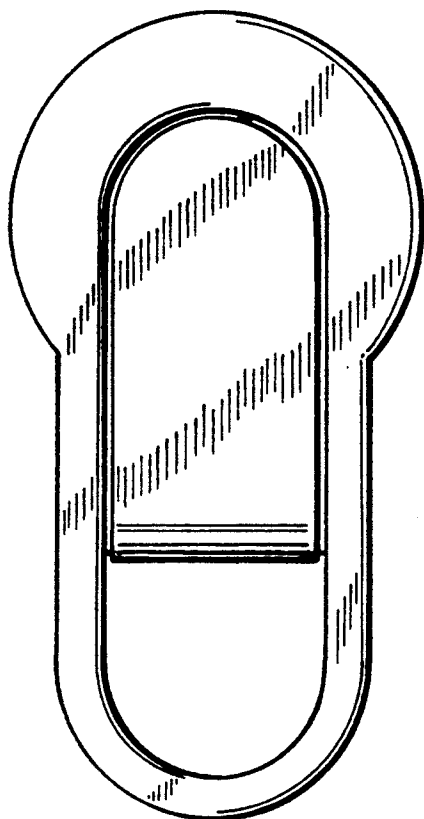


FIG.\_3

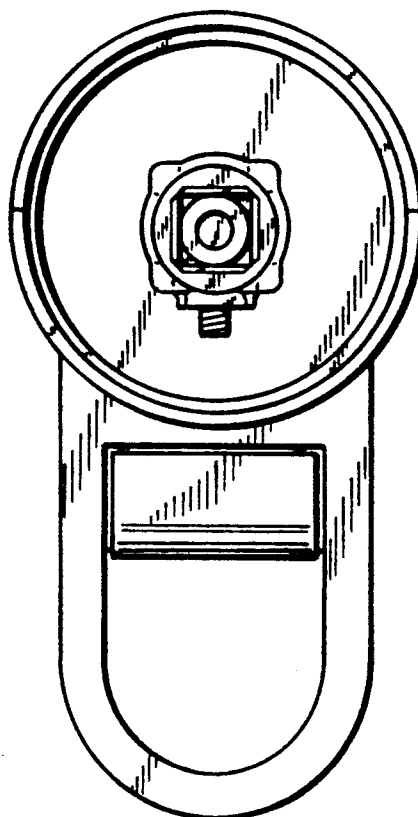


FIG.\_4

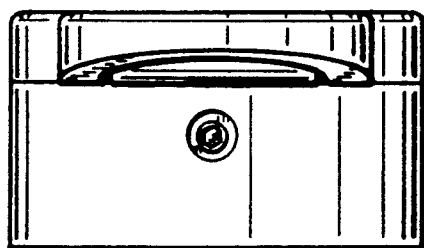


FIG.\_5

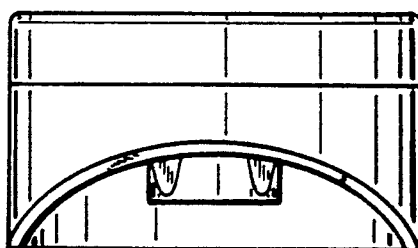


FIG.\_6

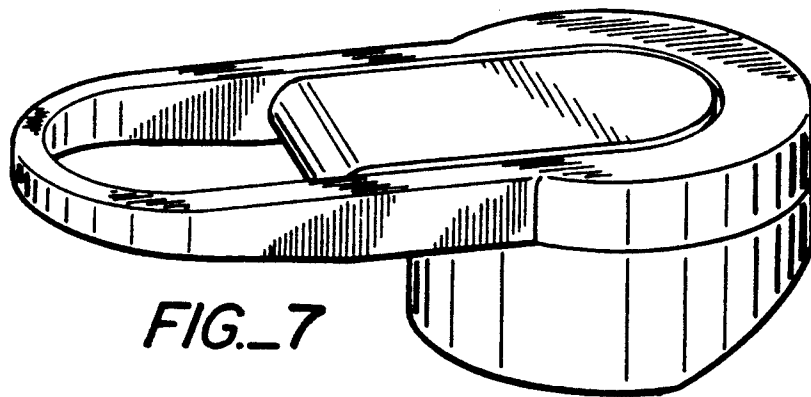


FIG.\_7

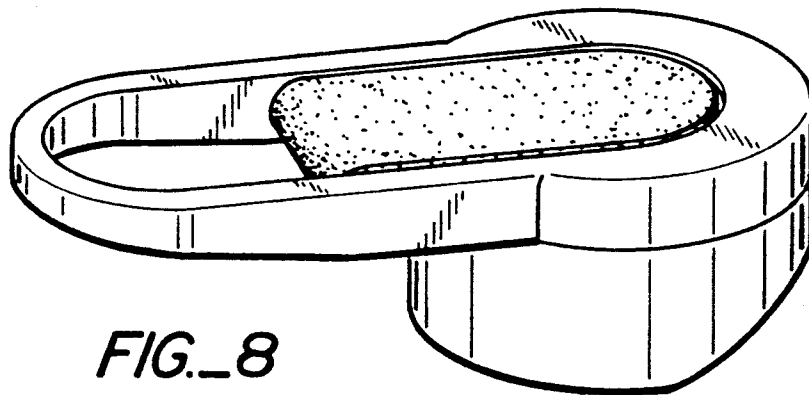


FIG.\_8

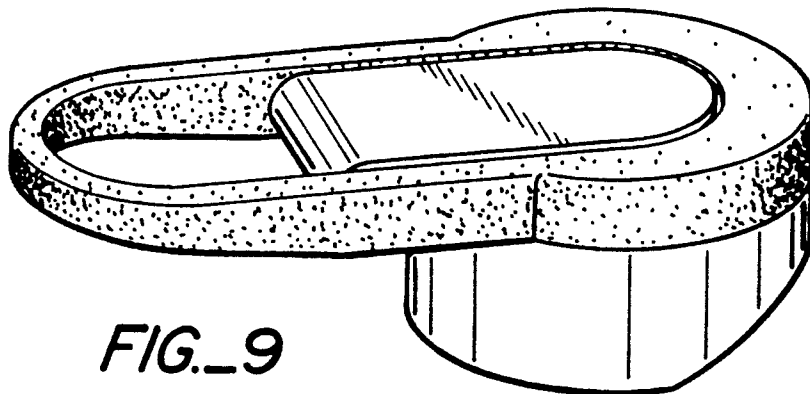


FIG.\_9