



US00D911273S

(12) **United States Design Patent**
Sun et al.

(10) **Patent No.:** **US D911,273 S**

(45) **Date of Patent:** **** Feb. 23, 2021**

(54) **PORTABLE POWER SUPPLY**

(71) Applicant: **Shenzhen Hello Tech Energy Co., Ltd.**, Shenzhen (CN)

(72) Inventors: **Zhong-Wei Sun**, Shenzhen (CN); **Wei Bai**, Shenzhen (CN)

(73) Assignee: **Shenzhen Hello Tech Energy Co., Ltd.**, Shenzhen (CN)

(**) Term: **15 Years**

(21) Appl. No.: **29/684,459**

(22) Filed: **Mar. 21, 2019**

(30) **Foreign Application Priority Data**

Feb. 27, 2019 (CN) 2019 3 0078136

(51) **LOC (13) Cl.** **13-02**

(52) **U.S. Cl.**

USPC **D13/108**; D13/103

(58) **Field of Classification Search**

USPC D13/103, 107, 108, 110, 137.1–137.4, D13/138.1–138.2, 139.1–139.8, 152, 154, D13/158, 171, 174, 184, 199; D14/250, D14/251, 253, 432, 434

CPC Y02E 60/12; Y02E 60/122; Y02E 60/124; Y02E 60/50; H01M 2/02; H01M 2/022; H01M 2/0202; H01M 2/0207; H01M 2/0212; H01M 2/1061; H01M 2/1022; H01M 2/1055; H01M 2/1066; H01M 2/105; H01M 2/204; H01M 2/202; H01M 2/206; H01M 10/4257; H01M 10/0436; H01M 10/48; H01M 10/44; H01M 10/46; H01M 10/465; H01M 10/482; H01R 11/00; H01R 9/00; H01R 13/00; H01R 13/04; H01R 13/10; H01R 13/6666; H01R 13/6675;

(Continued)

(56) **References Cited**

U.S. PATENT DOCUMENTS

D815,039 S * 4/2018 Wen D13/110
D837,149 S * 1/2019 Yin D13/108
D856,924 S * 8/2019 Yang D13/108

(Continued)

Primary Examiner — Christy Nemeth

(74) *Attorney, Agent, or Firm* — ScienBiziP, P.C.

(57) **CLAIM**

The ornamental design for a portable power supply, as shown and described.

DESCRIPTION

FIG. 1 is a first perspective view of a portable power supply, showing our design.

FIG. 2 is a second perspective view thereof.

FIG. 3 is a front elevation view thereof.

FIG. 4 is a rear elevation view thereof.

FIG. 5 is a left side elevation view thereof.

FIG. 6 is a right side elevation view thereof.

FIG. 7 is a top plan view thereof.

FIG. 8 is a bottom plan view thereof.

FIG. 9 is a perspective view of the portable power supply with the handle in an open position;

FIG. 10 is an enlarged view of a circle labeled 10 in FIG. 1 of the portable power supply.

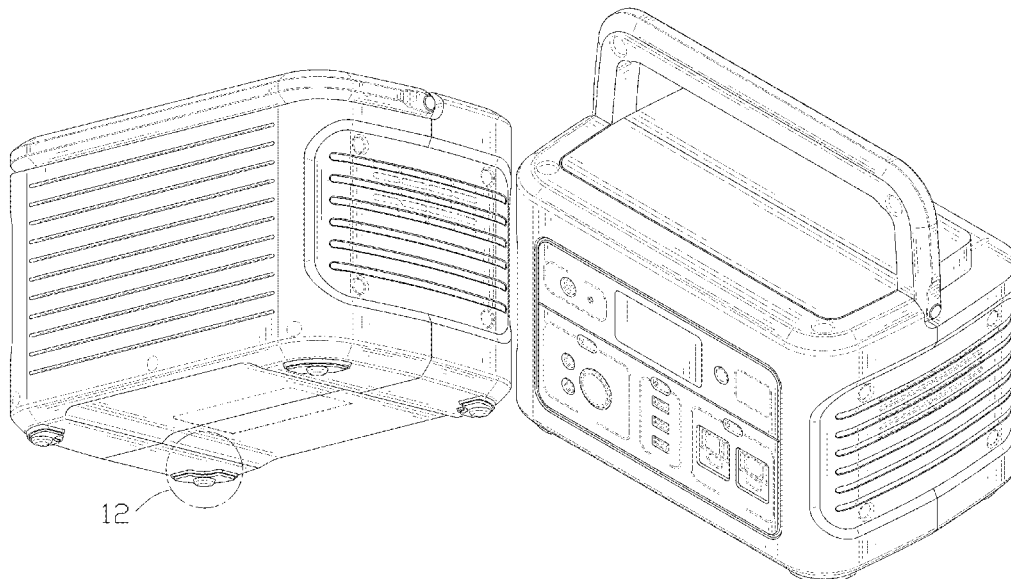
FIG. 11 is an enlarged view of a circle labeled 11 in FIG. 1 of the portable power supply.

FIG. 12 is an enlarged view of a circle labeled 12 in FIG. 2 of the portable power supply; and,

FIG. 13 is an enlarged view of an area labeled 13 in FIG. 7 of the portable power supply.

The dash-dash broken lines in the drawings are for the purpose of illustrating portions of the portable power supply that form no part of the claimed design. The dash-dot broken lines shown in FIGS. 1, 2, 7, 10, 11, 12, and 13 are for the purpose of illustrating a boundary of each encircled portion and form no part of the claimed design.

1 Claim, 13 Drawing Sheets



- (58) **Field of Classification Search**
CPC .. H01R 25/00; H01R 25/006; H01H 2207/00;
H01H 2207/022
See application file for complete search history.

(56) **References Cited**

U.S. PATENT DOCUMENTS

D874,395 S *	2/2020	Sun	D13/107
D874,397 S *	2/2020	Sun	D13/107
D874,398 S *	2/2020	Sun	D13/107
D875,037 S *	2/2020	Hung	D13/107
D881,808 S *	4/2020	Sun	D13/108
D883,206 S *	5/2020	Bai	D13/110
D886,047 S *	6/2020	Hung	D13/107
D891,365 S *	7/2020	Yang	D13/107
D897,283 S *	9/2020	Sun	D13/108
D897,284 S *	9/2020	Sun	D13/108

* cited by examiner

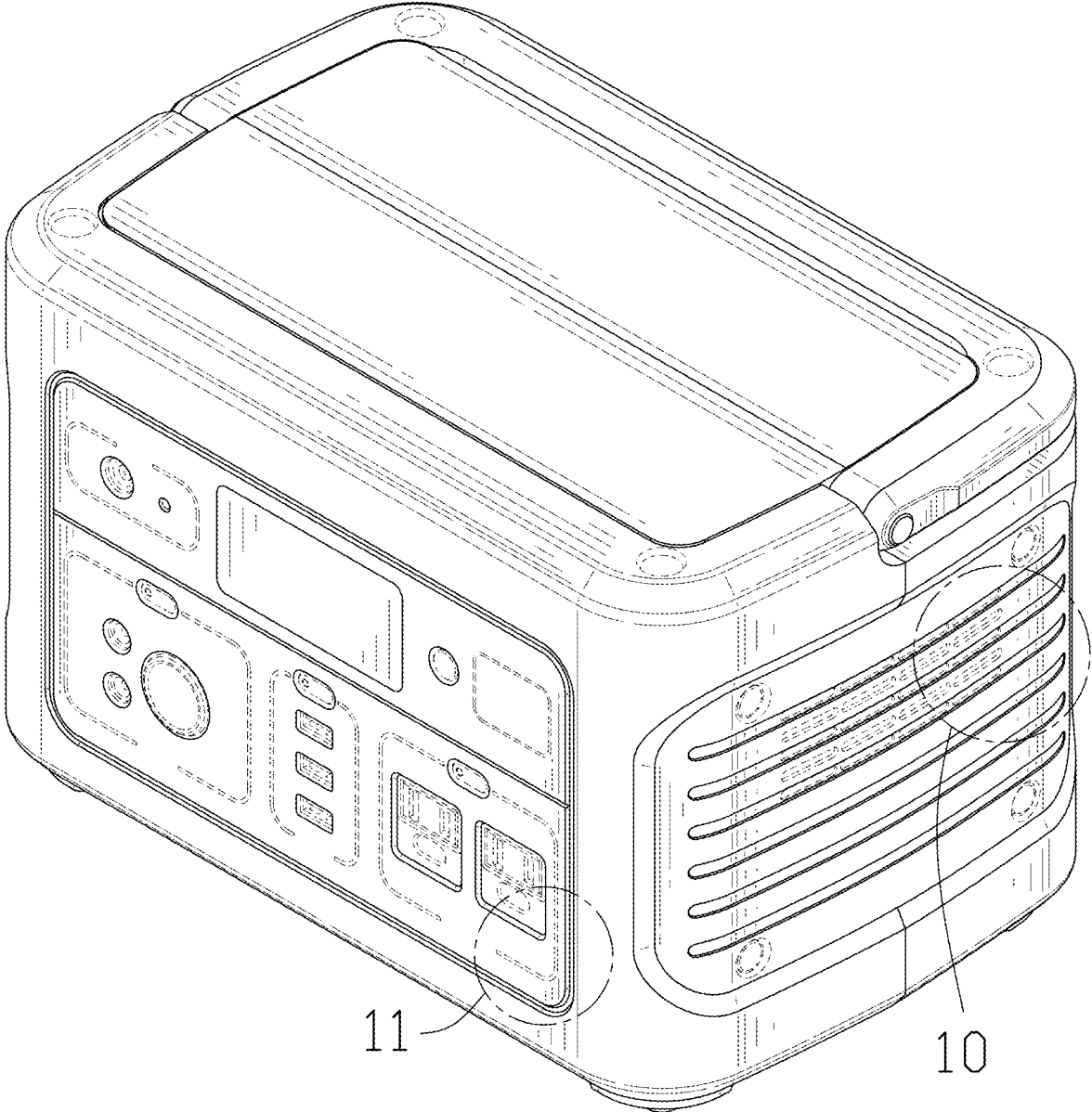


FIG. 1

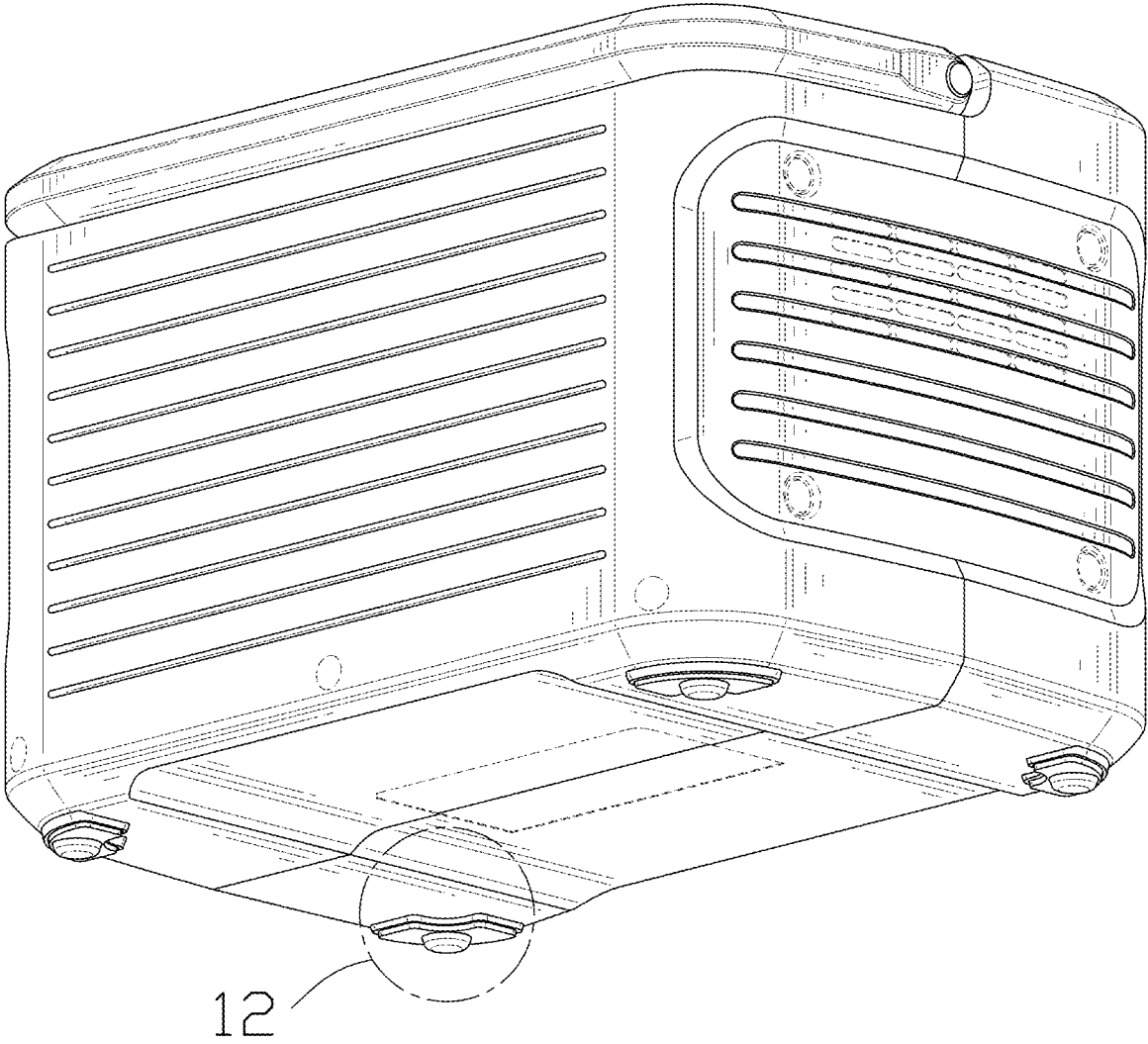


FIG. 2

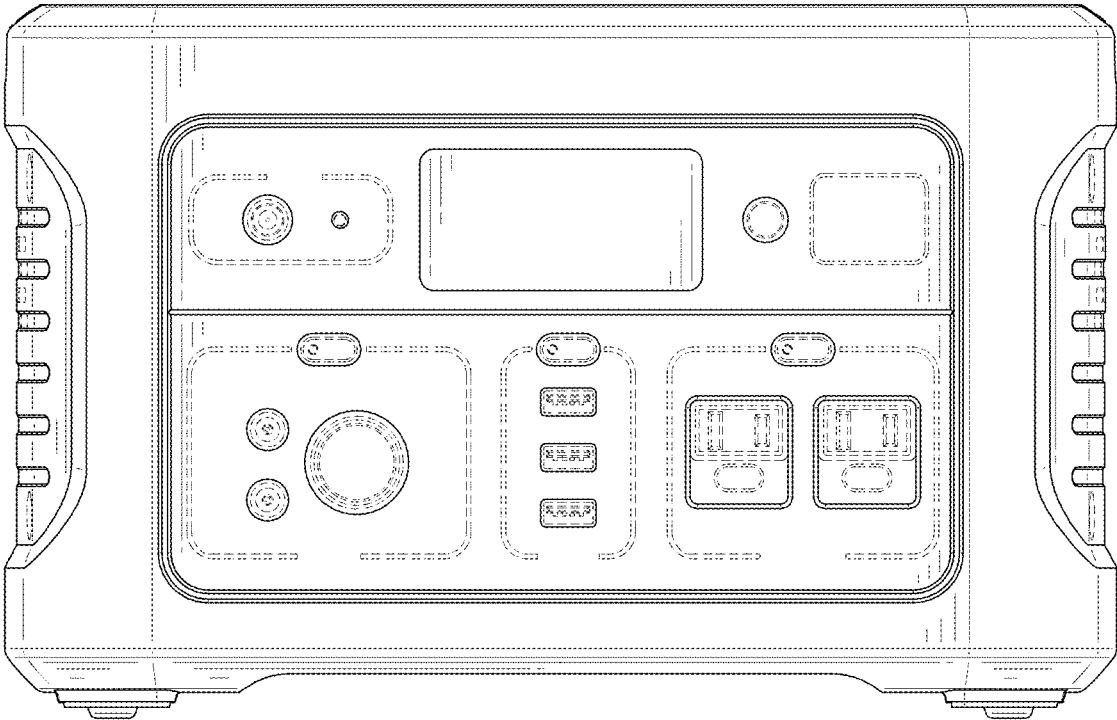


FIG. 3

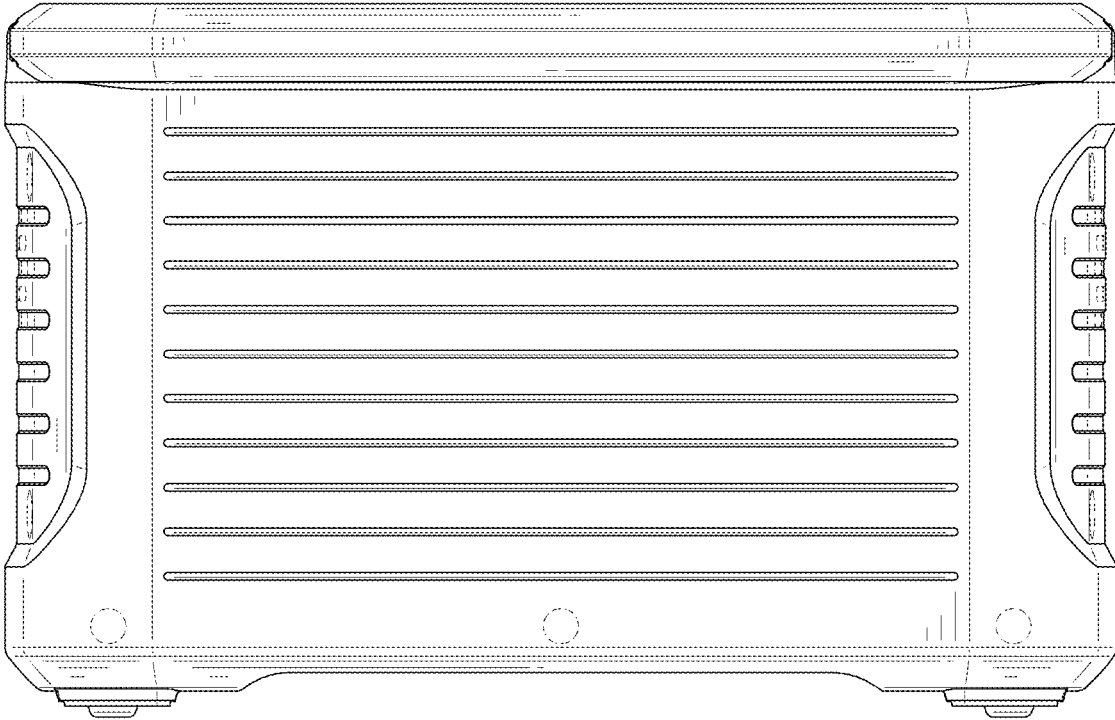


FIG. 4

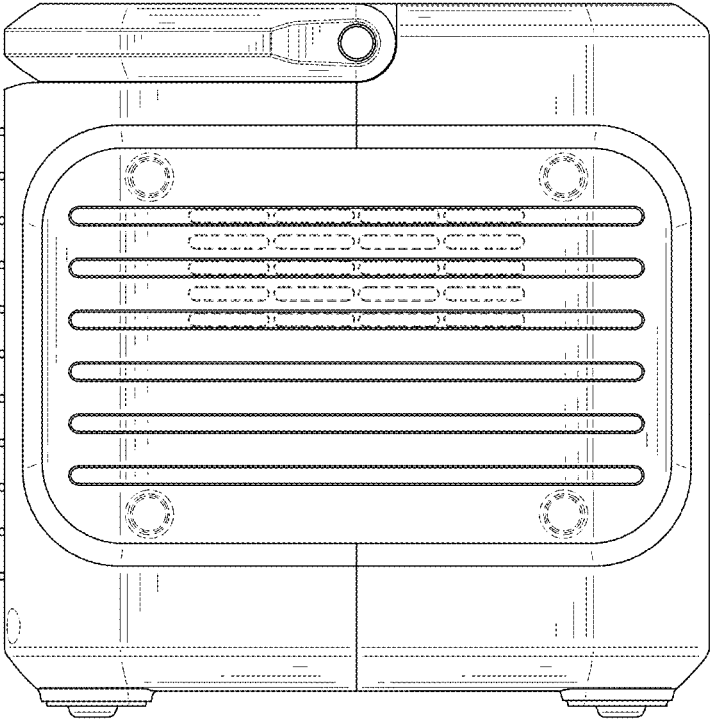


FIG. 5

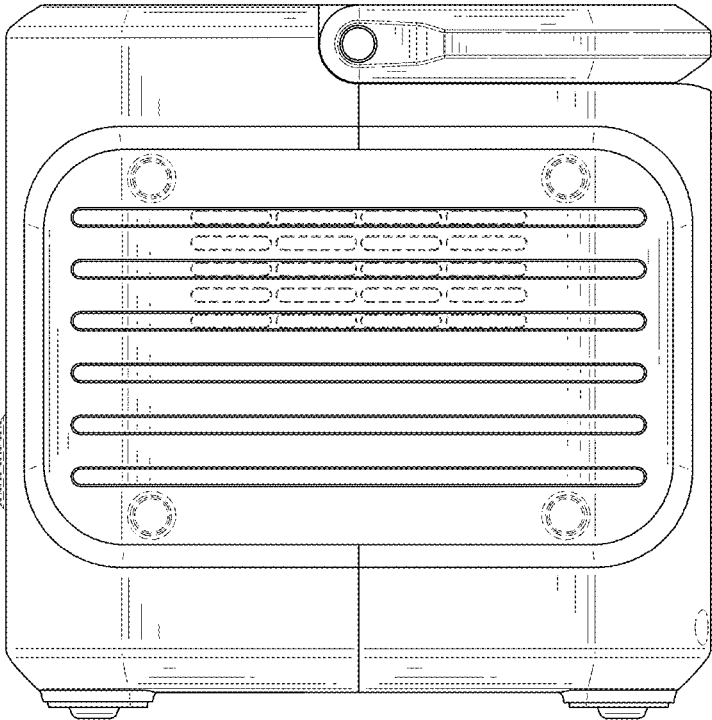


FIG. 6

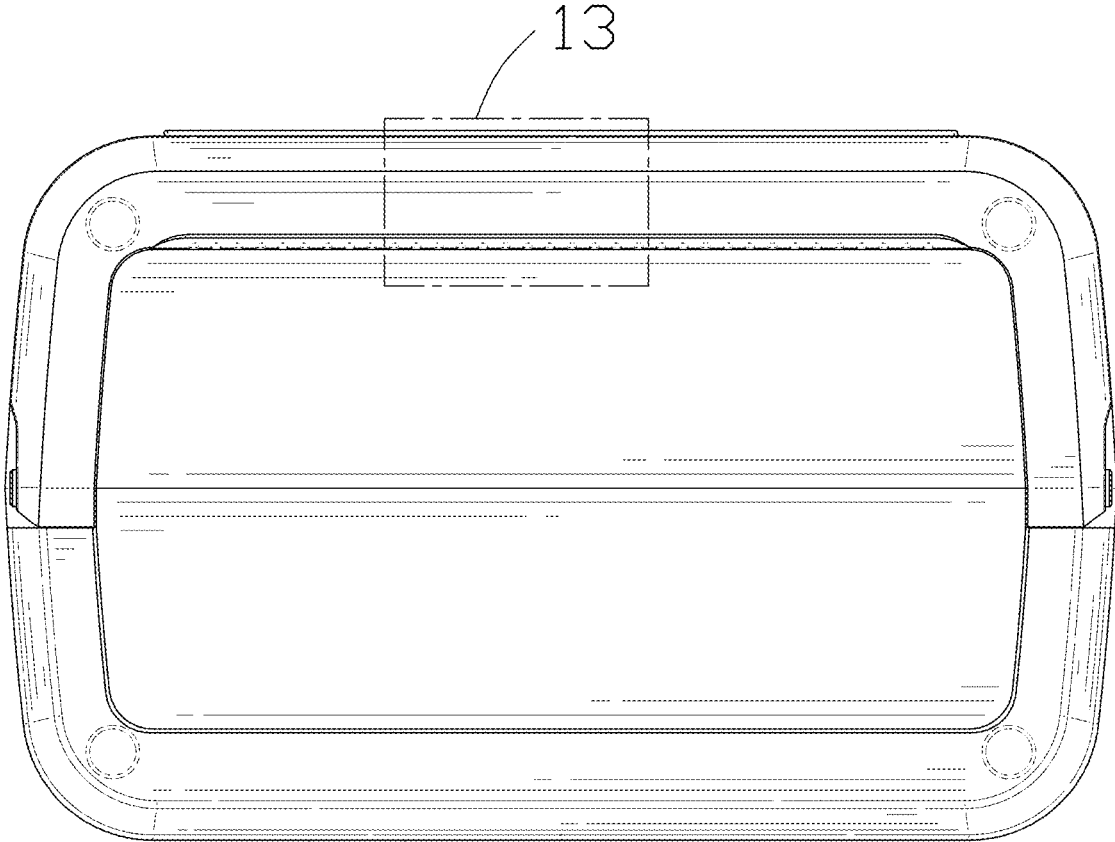


FIG. 7

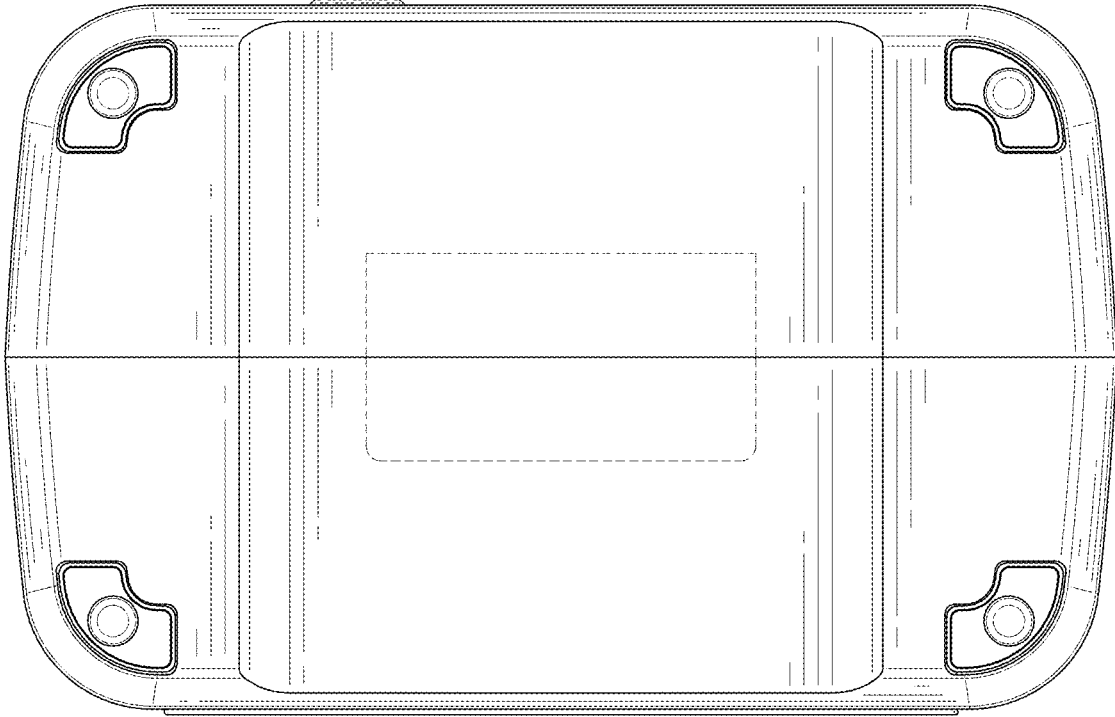


FIG. 8

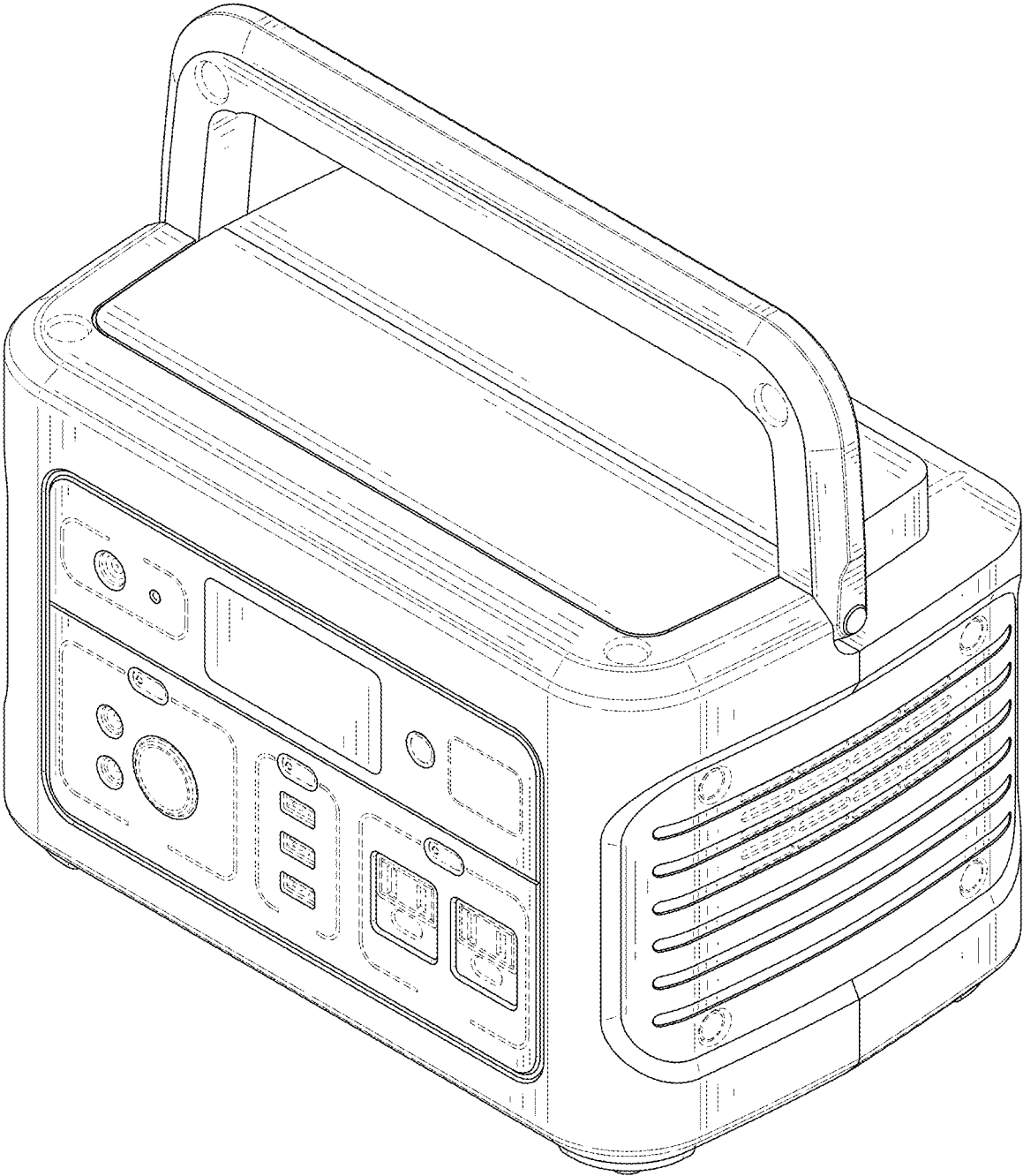


FIG. 9

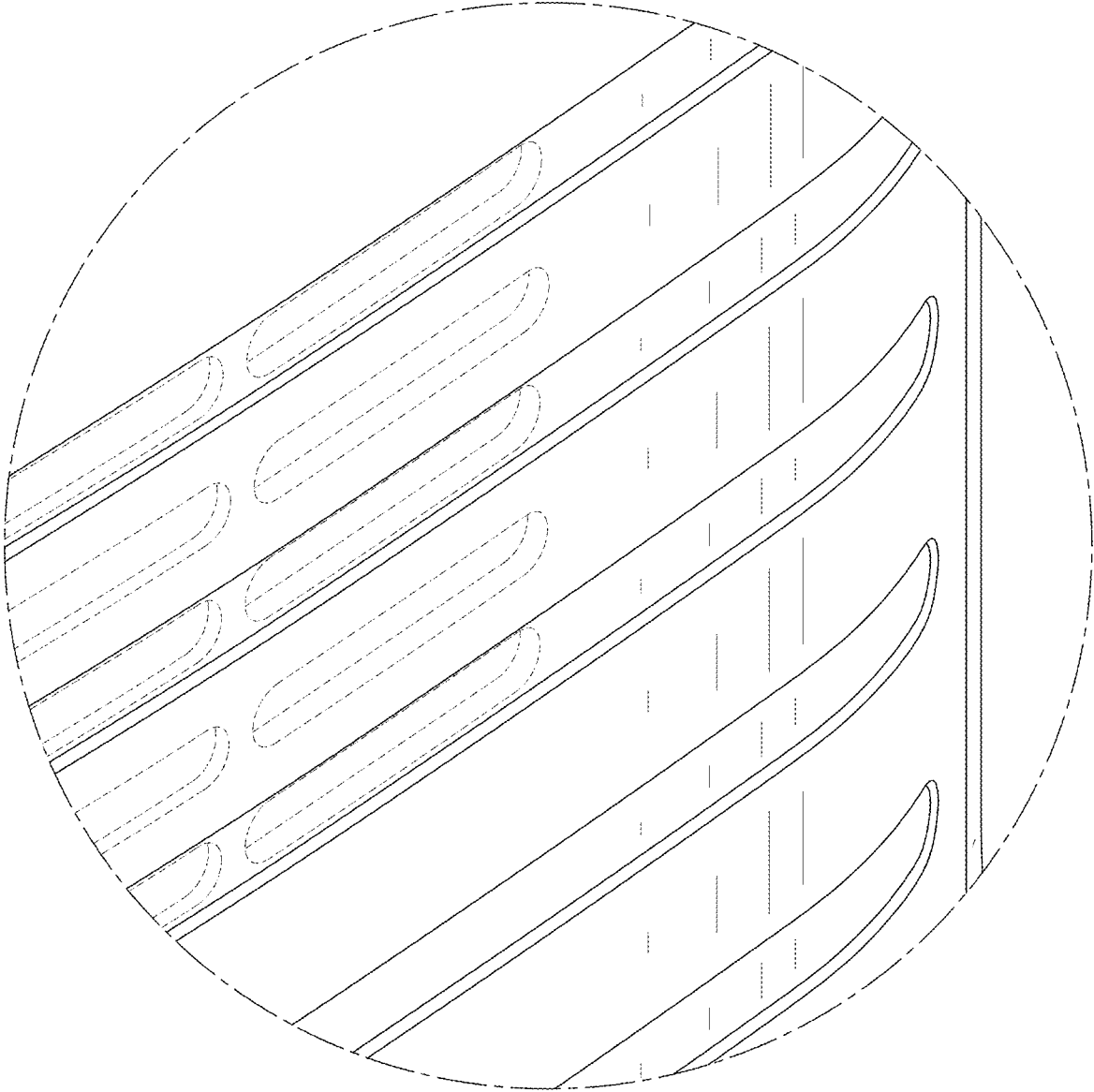


FIG. 10

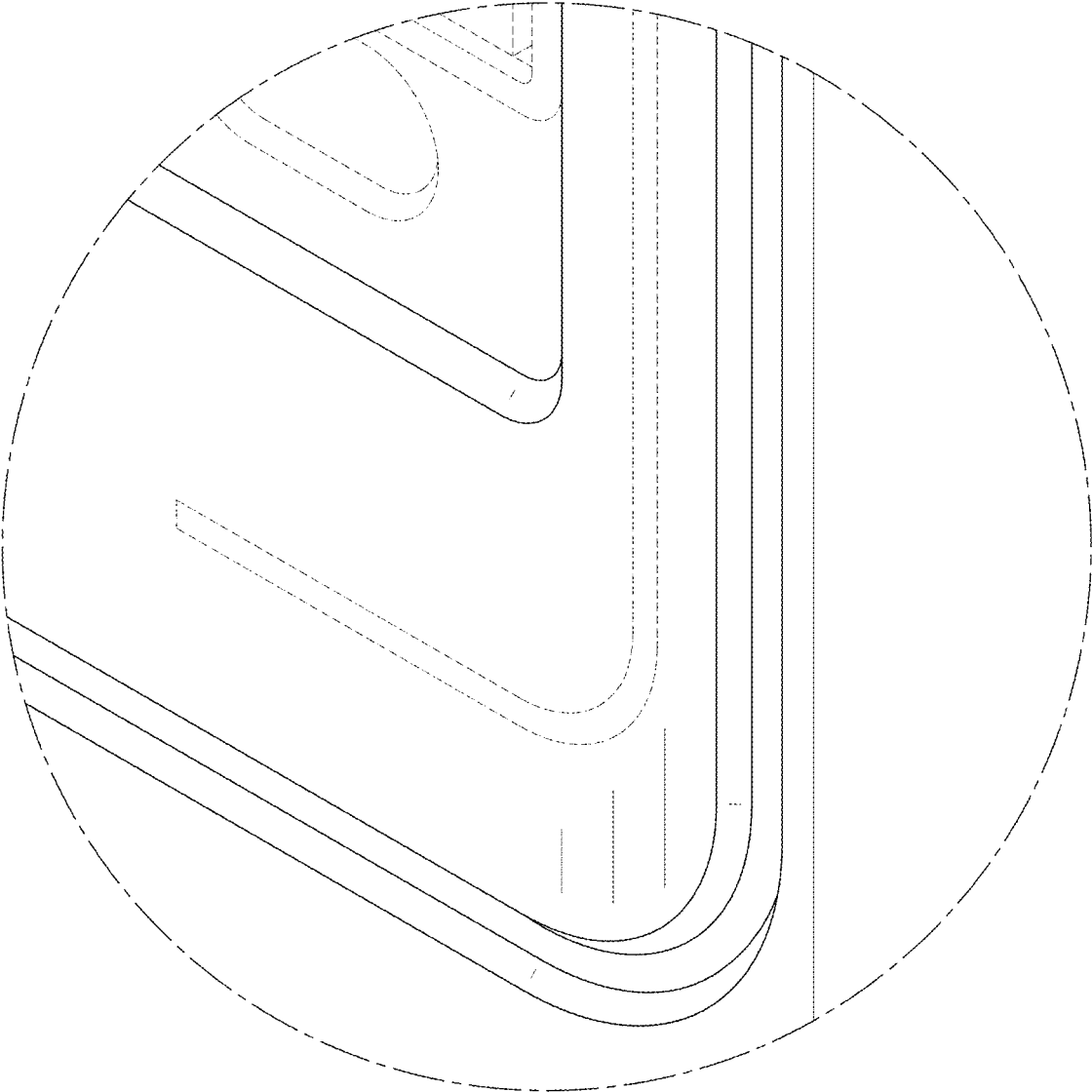


FIG. 11

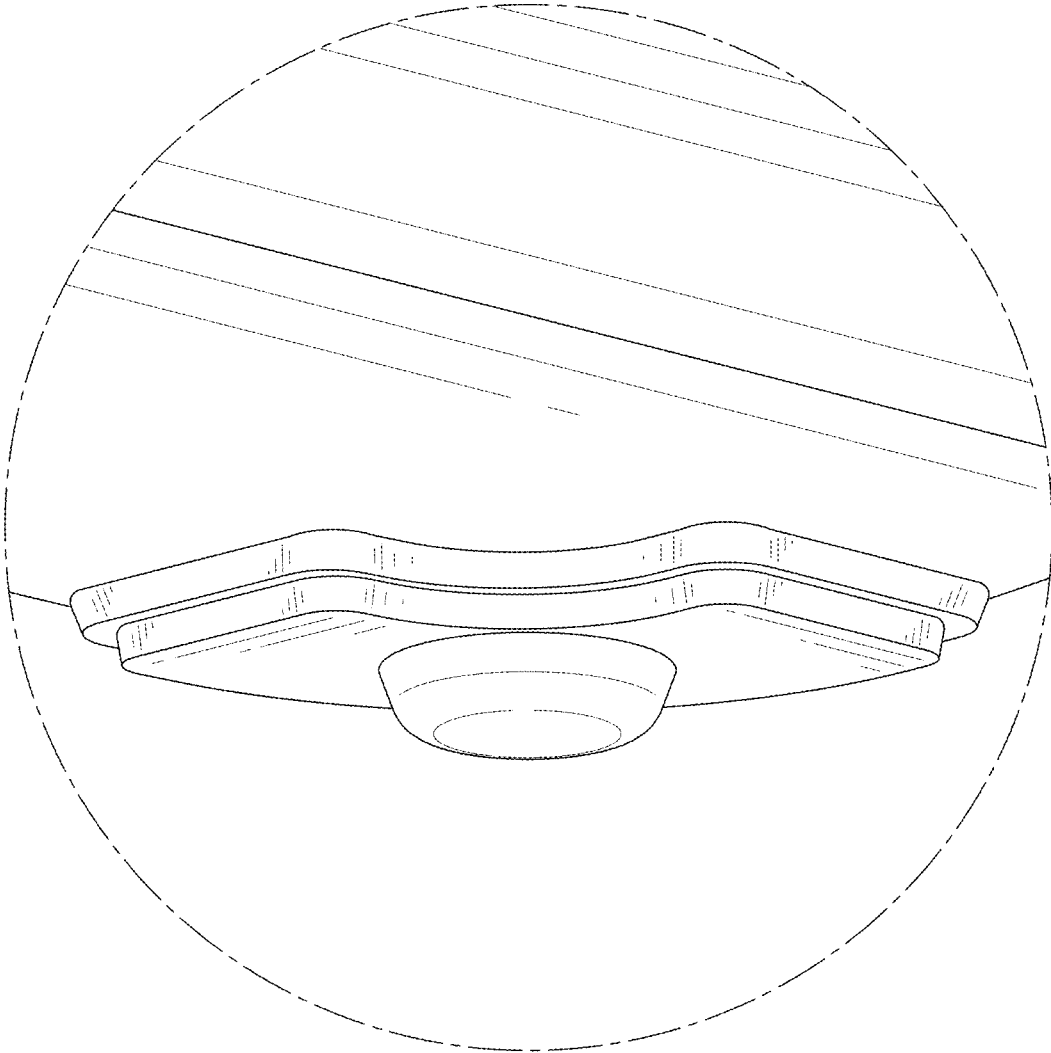


FIG. 12

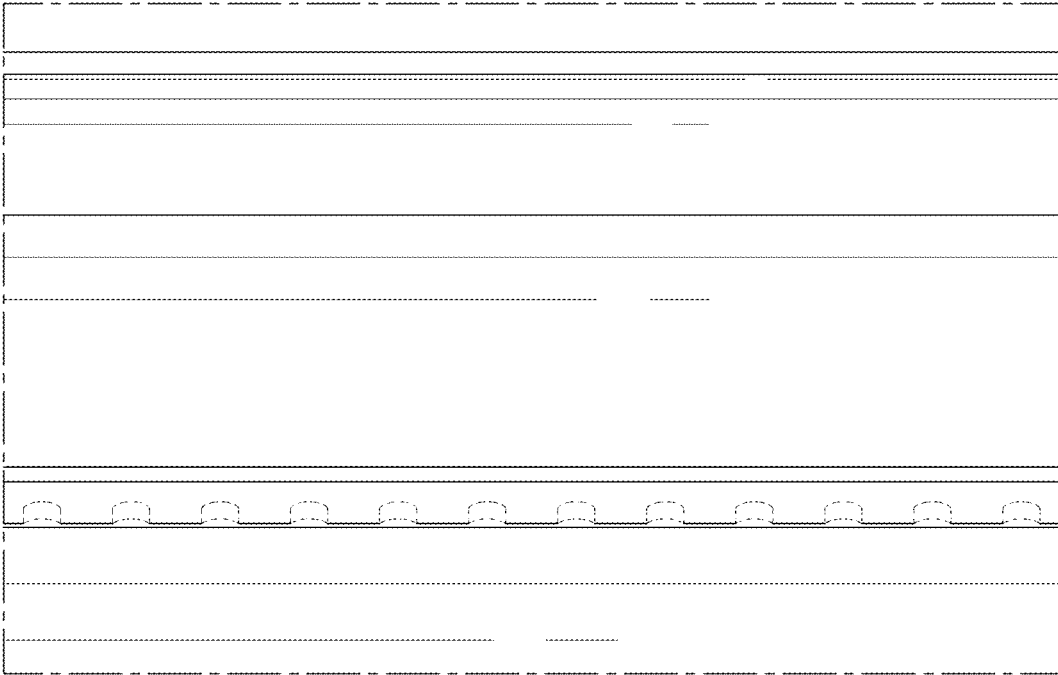


FIG. 13