



US00D832437S

(12) **United States Design Patent**
Zeltwanger et al.

(10) **Patent No.:** **US D832,437 S**

(45) **Date of Patent:** **** Oct. 30, 2018**

- (54) **INCONTINENCE DEVICE**
- (71) Applicant: **Rinovum Subsidiary 2, LLC**,
Monroeville, PA (US)
- (72) Inventors: **Andrew P. Zeltwanger**, Leechburg, PA
(US); **Camaria Lehman**, Harmony, PA
(US); **Justin E. Angert**, Gibsonsia, PA
(US)
- (73) Assignee: **RINOVUM SUBSIDIARY 2, LLC**,
Monroeville, PA (US)
- (**) Term: **15 Years**
- (21) Appl. No.: **29/611,612**
- (22) Filed: **Jul. 24, 2017**
- (51) **LOC (11) Cl.** **24-02**
- (52) **U.S. Cl.**
USPC **D24/141**
- (58) **Field of Classification Search**
USPC D24/141, 127-128; 600/29
CPC A61F 2/0009; A61F 2/0004; A61F 2/005;
A61F 2/0036; A61F 2/0045; Y10S 128/25
See application file for complete search history.

5,007,894	A *	4/1991	Enhoring	A61F 2/005
					128/DIG. 25
5,036,867	A	8/1991	Biswas		
5,256,133	A	10/1993	Spitz		
5,437,628	A	8/1995	Fox et al.		
5,671,755	A	9/1997	Simon et al.		
5,771,899	A	6/1998	Martelly et al.		
5,785,640	A	7/1998	Kresch et al.		
6,090,098	A	7/2000	Zunker et al.		
6,142,928	A	11/2000	Zunker et al.		
6,413,206	B2	7/2002	Biswas		
6,418,930	B1	7/2002	Fowler		
6,460,542	B1	10/2002	James		
6,645,136	B1	11/2003	Zunker et al.		
6,645,137	B2	11/2003	Ulmsten et al.		
6,652,477	B2	11/2003	Karapasha et al.		
6,676,594	B1	1/2004	Zunker et al.		
6,695,763	B2	2/2004	Zunker et al.		
6,808,485	B2	10/2004	Zunker		
6,939,289	B2	9/2005	Zunker et al.		
7,263,999	B2	9/2007	Kaseki et al.		

(Continued)

Primary Examiner — Wan Laymon
(74) *Attorney, Agent, or Firm* — Welsh Flaxman & Gitler
LLC

(57) **CLAIM**

The ornamental design for an incontinence device, as shown and described.

DESCRIPTION

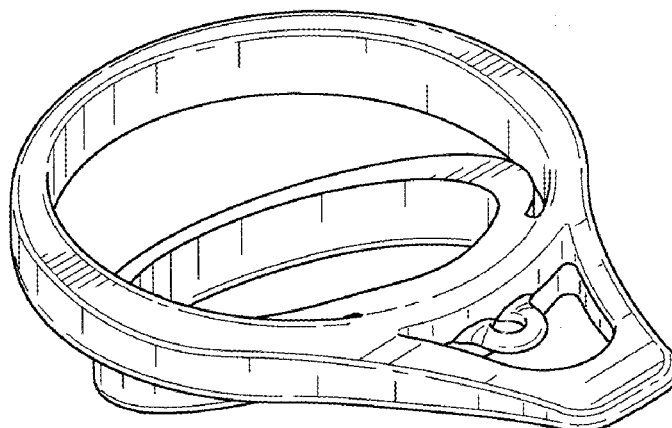
FIG. 1 is a front perspective view of the incontinence device
FIG. 2 is a top view of the incontinence device shown in
FIG. 1.
FIG. 3 is a bottom view of the incontinence device shown in
FIG. 1
FIG. 4 is a side view of the incontinence device.
FIG. 5 is an opposite side view of the incontinence device.
FIG. 6 is a rear view of the incontinence device; and,
FIG. 7 is a front view of the incontinence device.

1 Claim, 3 Drawing Sheets

(56) **References Cited**

U.S. PATENT DOCUMENTS

3,196,873	A	7/1965	Bletzinger et al.		
3,646,929	A *	3/1972	Bonnar	A61F 2/005
					128/884
4,139,006	A *	2/1979	Corey	A61F 2/005
					128/DIG. 25
4,536,178	A	8/1985	Lichstein et al.		
4,726,805	A	2/1988	Sanders, III		
4,846,819	A	7/1989	Welch		
4,920,986	A *	5/1990	Biswas	A61F 2/005
					128/834



(56)

References Cited

U.S. PATENT DOCUMENTS

7,351,195 B2	4/2008	Farrell	9,339,361 B2	5/2016	Ziv et al.
7,628,156 B2	12/2009	Astani et al.	9,339,363 B2	5/2016	Ziv et al.
7,717,892 B2	5/2010	Bartning et al.	9,339,364 B2	5/2016	Durling et al.
7,736,298 B2	6/2010	Guerquin et al.	9,393,090 B2	7/2016	Karapasha
7,771,344 B2	8/2010	Ziv	9,398,984 B2	7/2016	Hou et al.
7,892,163 B2	2/2011	Bartning et al.	9,408,685 B2	8/2016	Hou et al.
7,935,098 B2	5/2011	Bartning et al.	9,439,748 B2	9/2016	Durling et al.
7,942,806 B2	5/2011	Tracey et al.	9,549,798 B2	1/2017	Sinai et al.
7,981,021 B2	7/2011	Spitz et al.	9,597,222 B2	3/2017	Durling et al.
7,981,024 B2	7/2011	Levy	9,655,769 B2	5/2017	Ziv et al.
8,047,980 B2	11/2011	Bartning et al.	9,925,027 B1 *	3/2018	Blackford A61F 2/0009
8,127,768 B2	3/2012	Ziv	9,974,635 B2 *	5/2018	Rosen A61F 2/005
8,177,706 B2	5/2012	Bartning et al.	2002/0083949 A1	7/2002	James
8,221,374 B2	7/2012	Hou et al.	2005/0113228 A1	5/2005	Marcotte
8,302,608 B2	11/2012	Harmanli	2008/0033230 A1	2/2008	Bartning et al.
8,323,176 B2	12/2012	Spitz et al.	2008/0281149 A1	11/2008	Sinai et al.
8,435,168 B2	5/2013	Ziv et al.	2009/0318750 A1	12/2009	Ziv et al.
8,449,446 B2 *	5/2013	Ziv A61F 2/0009	2012/0136199 A1	5/2012	Hou et al.
		600/29	2012/0259162 A1	10/2012	Karapasha
			2012/0259166 A1	10/2012	Karapasha
			2012/0259167 A1	10/2012	Karapasha et al.
			2012/0271098 A1	10/2012	Ziv et al.
			2013/0192606 A1	8/2013	Ziv et al.
			2014/0275744 A1 *	9/2014	Rosen A61F 2/005
					600/29
8,608,639 B2	12/2013	Bartning et al.	2015/0297392 A1	10/2015	Karapasha
8,613,698 B2	12/2013	Bartning et al.	2015/0305844 A1	10/2015	Schuman et al.
8,617,047 B2	12/2013	Sinai et al.	2016/0015500 A1	1/2016	Ziv et al.
8,651,109 B2	2/2014	Ziv et al.	2016/0220342 A1	8/2016	Ziv et al.
8,652,026 B2	2/2014	Zunker et al.	2016/0235583 A1	8/2016	Durling et al.
8,652,027 B2	2/2014	Hou et al.	2016/0296379 A1	10/2016	Brown et al.
8,740,767 B2 *	6/2014	Rosen A61F 2/0009	2016/0296380 A1	10/2016	Graham et al.
		600/29	2016/0374788 A1	12/2016	Ramachandra et al.
			2017/0014217 A1	1/2017	Patrusky
8,753,258 B2	6/2014	Bartning et al.	2017/0100278 A1	4/2017	Ziv et al.
8,911,344 B2	12/2014	Altan et al.	2018/0021120 A1 *	1/2018	Kanner A61F 2/0036
8,911,345 B2	12/2014	Ziv et al.			600/29
8,920,302 B2	12/2014	Levy	2018/0021121 A1 *	1/2018	Zeltwanger A61F 2/005
8,923,493 B2	12/2014	Hillis et al.			600/29
9,022,919 B2	5/2015	Ellefson et al.			
9,050,183 B2	6/2015	Bartning et al.			
9,078,726 B2	7/2015	Karapasha			
9,173,768 B2	11/2015	Bartning et al.			
9,198,748 B2	12/2015	Ziv et al.			
9,320,640 B2	4/2016	Durling et al.			

* cited by examiner

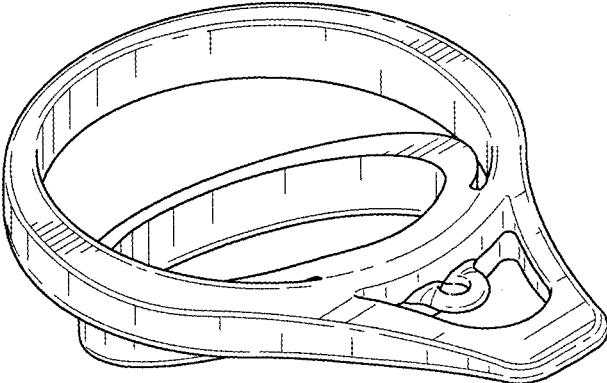


FIG. 1

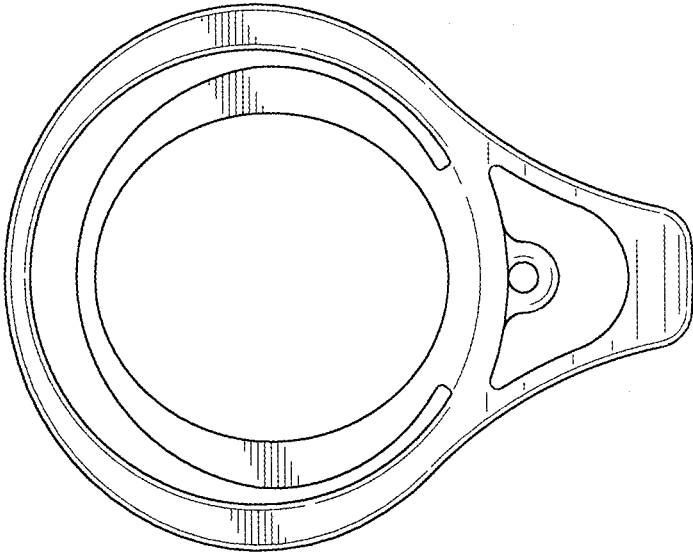


FIG. 2

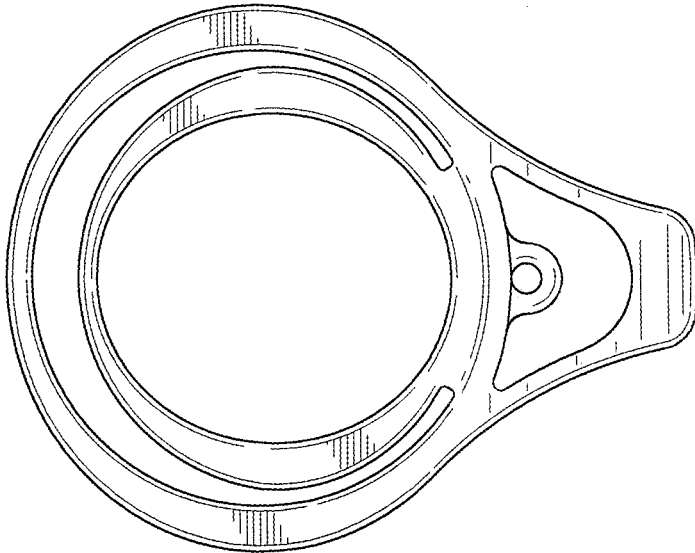


FIG. 3

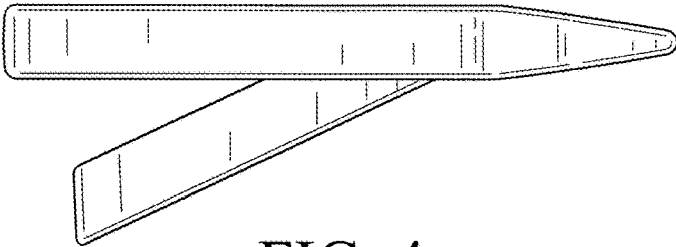


FIG. 4

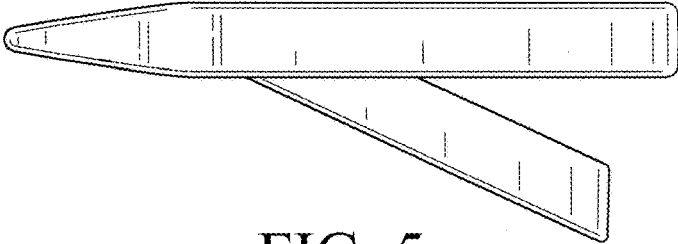


FIG. 5

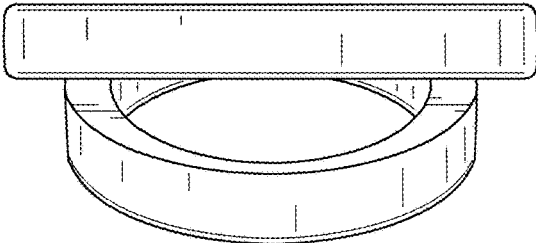


FIG. 6

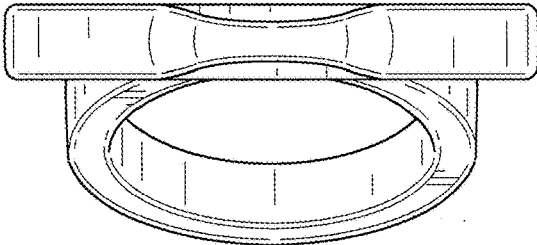


FIG. 7