

(19) World Intellectual Property Organization
International Bureau



(43) International Publication Date
18 October 2001 (18.10.2001)

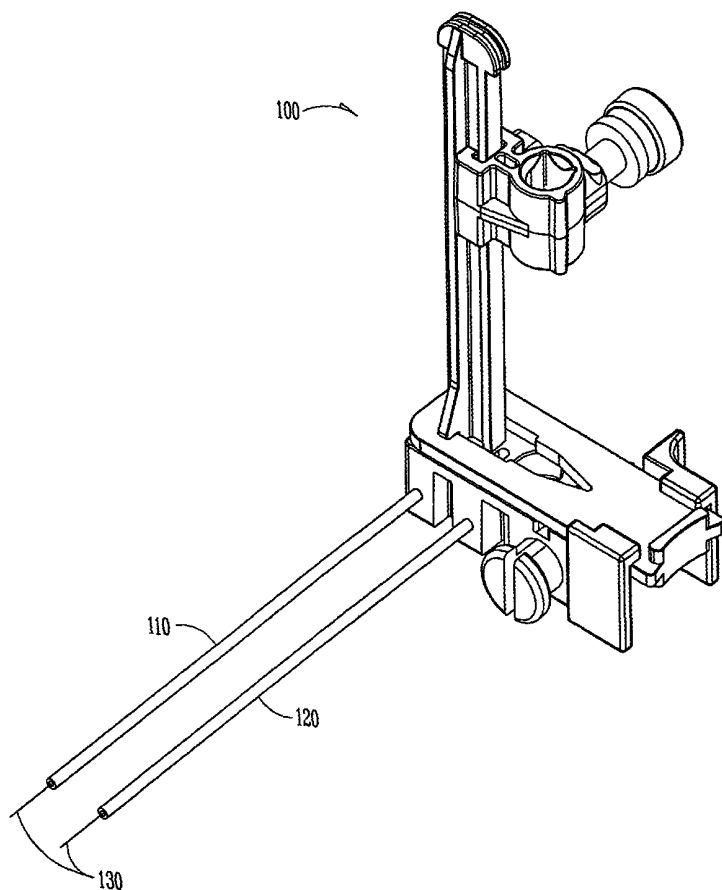
PCT

(10) International Publication Number
WO 01/76676 A3

- (51) International Patent Classification⁷: A61B 19/00 (US). SOLAR, Matthew, S. [US/US]; 290 Normandy Drive, Indialantic, FL 32903 (US). MILLS, Gerald, W. [US/US]; 735 Hawser Street NE, Palm Bay, FL 32907 (US). TRUWIT, Charles, L. [US/US]; 378 Ferndale Road West, Wayzata, MN 55391 (US).
- (21) International Application Number: PCT/US01/40458
- (22) International Filing Date: 6 April 2001 (06.04.2001)
- (25) Filing Language: English
- (26) Publication Language: English
- (30) Priority Data:
60/195,663 7 April 2000 (07.04.2000) US
- (71) Applicant: IMAGE-GUIDED NEUROLOGICS, INC. [US/US]; 2290 West Eau Gallie Boulevard, Melbourne, FL 32935 (US).
- (71) Applicants and
(72) Inventors: SKAKOON, James, G. [US/US]; 1115 Elway Street #404, St Paul, MN 55116 (US). MILLER, Thomas, I. [US/US]; 145 Elfin Street, Palm Bay, FL 32909
- (74) Agent: VIKSNINS, Ann, S.; Schwegman, Lundberg, Woessner & Kluth, P.O. Box 2938, Minneapolis, MN 55402 (US).
- (81) Designated States (national): AE, AG, AL, AM, AT, AU, AZ, BA, BB, BG, BR, BY, BZ, CA, CH, CN, CO, CR, CU, CZ, DE, DK, DM, DZ, EE, ES, FI, GB, GD, GE, GH, GM, HR, HU, ID, IL, IN, IS, JP, KE, KG, KP, KR, KZ, LC, LK, LR, LS, LT, LU, LV, MA, MD, MG, MK, MN, MW, MX, MZ, NO, NZ, PL, PT, RO, RU, SD, SE, SG, SI, SK, SL, TJ, TM, TR, TT, TZ, UA, UG, UZ, VN, YU, ZA, ZW.
- (84) Designated States (regional): ARIPO patent (GH, GM, KE, LS, MW, MZ, SD, SL, SZ, TZ, UG, ZW), Eurasian

[Continued on next page]

(54) Title: MEDICAL DEVICE INTRODUCER



(57) Abstract: An introducer is described that is coupled to a patient, specifically a patient's skull. The introducer may include an advancer that is remote from the patient, the advancer communicating with the introducer by means of a cable system. The introducer may also include a local position sensor that indicates the position of the primary medical device being introduced. The introducer may also include a frameless reference system that locates the primary medical device relative to a table that the patient is fixed to.



WO 01/76676 A3



patent (AM, AZ, BY, KG, KZ, MD, RU, TJ, TM), European patent (AT, BE, CH, CY, DE, DK, ES, FI, FR, GB, GR, IE, IT, LU, MC, NL, PT, SE, TR), OAPI patent (BF, BJ, CF, CG, CI, CM, GA, GN, GW, ML, MR, NE, SN, TD, TG).

(88) Date of publication of the international search report:
21 March 2002

Published:

— *with international search report*

For two-letter codes and other abbreviations, refer to the "Guidance Notes on Codes and Abbreviations" appearing at the beginning of each regular issue of the PCT Gazette.

INTERNATIONAL SEARCH REPORT

International Application No

PCT/US 01/40458

A. CLASSIFICATION OF SUBJECT MATTER
IPC 7 A61B19/00

According to International Patent Classification (IPC) or to both national classification and IPC

B. FIELDS SEARCHED

Minimum documentation searched (classification system followed by classification symbols)
IPC 7 A61B

Documentation searched other than minimum documentation to the extent that such documents are included in the fields searched

Electronic data base consulted during the international search (name of data base and, where practical, search terms used)

EPO-Internal

C. DOCUMENTS CONSIDERED TO BE RELEVANT

Category *	Citation of document, with indication, where appropriate, of the relevant passages	Relevant to claim No.
X	US 5 993 463 A (TRUWIT CHARLES L) 30 November 1999 (1999-11-30) column 14, line 32 -column 18, line 40; figures 30-37	1-29
X	DE 31 08 766 A (GMS GES MED SONDETECH) 23 September 1982 (1982-09-23) abstract claim 5; figure 1	1
A	WO 97 03609 A (PALTIELI YOAV) 6 February 1997 (1997-02-06) abstract; figure 4	10-12, 20-23
A	US 5 980 535 A (BARNETT GENE H ET AL) 9 November 1999 (1999-11-09) abstract; figure 7	10-12, 20-23
	-/--	

Further documents are listed in the continuation of box C.

Patent family members are listed in annex.

- * Special categories of cited documents:
- *A* document defining the general state of the art which is not considered to be of particular relevance
 - *E* earlier document but published on or after the international filing date
 - *L* document which may throw doubts on priority claim(s) or which is cited to establish the publication date of another citation or other special reason (as specified)
 - *O* document referring to an oral disclosure, use, exhibition or other means
 - *P* document published prior to the international filing date but later than the priority date claimed
 - *T* later document published after the international filing date or priority date and not in conflict with the application but cited to understand the principle or theory underlying the invention
 - *X* document of particular relevance; the claimed invention cannot be considered novel or cannot be considered to involve an inventive step when the document is taken alone
 - *Y* document of particular relevance; the claimed invention cannot be considered to involve an inventive step when the document is combined with one or more other such documents, such combination being obvious to a person skilled in the art.
 - *Z* document member of the same patent family

Date of the actual completion of the international search 17 October 2001	Date of mailing of the international search report 24/10/2001
--	--

Name and mailing address of the ISA European Patent Office, P.B. 5818 Patentlaan 2 NL - 2280 HV Rijswijk Tel. (+31-70) 340-2040, Tx. 31 651 epo nl, Fax: (+31-70) 340-3016	Authorized officer Moers, R
--	------------------------------------

INTERNATIONAL SEARCH REPORT

International Application No

PCT/US 01/40458

C.(Continuation) DOCUMENTS CONSIDERED TO BE RELEVANT

Category °	Citation of document, with indication, where appropriate, of the relevant passages	Relevant to claim No.
A	US 5 833 627 A (SHMULEWITZ ASCHER ET AL) 10 November 1998 (1998-11-10) column 8, line 7 - line 57; figures 5A,B ---	18, 19, 27-29
A	US 5 817 106 A (REAL DOUGLAS D) 6 October 1998 (1998-10-06) column 8, line 1 - line 51 -----	18, 19, 27-29

INTERNATIONAL SEARCH REPORT

Information on patent family members

International Application No

PCT/US 01/40458

Patent document cited in search report	A	Publication date	Patent family member(s)	Publication date
US 5993463	A	30-11-1999	US 6267769 B1	31-07-2001
			AU 7686998 A	08-12-1998
			EP 1018963 A1	19-07-2000
			WO 9851229 A1	19-11-1998
			US 6267770 B1	31-07-2001
			US 6206890 B1	27-03-2001
<hr style="border-top: 1px dashed black;"/>				
DE 3108766	A	23-09-1982	DE 3108766 A1	23-09-1982
<hr style="border-top: 1px dashed black;"/>				
WO 9703609	A	06-02-1997	IL 114610 A	16-07-2000
			AU 722539 B2	03-08-2000
			AU 6367896 A	18-02-1997
			BR 9609484 A	14-12-1999
			CA 2226938 A1	06-02-1997
			EP 0845959 A1	10-06-1998
			WO 9703609 A1	06-02-1997
			JP 2000500031 T	11-01-2000
			US 6216029 B1	10-04-2001
			<hr style="border-top: 1px dashed black;"/>	
US 5980535	A	09-11-1999	EP 0832609 A2	01-04-1998
			EP 0832610 A2	01-04-1998
			US 5904691 A	18-05-1999
<hr style="border-top: 1px dashed black;"/>				
US 5833627	A	10-11-1998	US 5660185 A	26-08-1997
			AU 3587497 A	09-02-1998
			EP 0928160 A1	14-07-1999
			WO 9802097 A1	22-01-1998
			AU 694865 B2	30-07-1998
			AU 5390996 A	30-10-1996
			CA 2217976 A1	17-10-1996
			EP 0825833 A1	04-03-1998
			JP 11505446 T	21-05-1999
			WO 9632066 A1	17-10-1996
<hr style="border-top: 1px dashed black;"/>				
US 5817106	A	06-10-1998	US 5649936 A	22-07-1997
			US 5928144 A	27-07-1999
<hr style="border-top: 1px dashed black;"/>				