

(19) World Intellectual Property
Organization
International Bureau



(43) International Publication Date
28 April 2005 (28.04.2005)

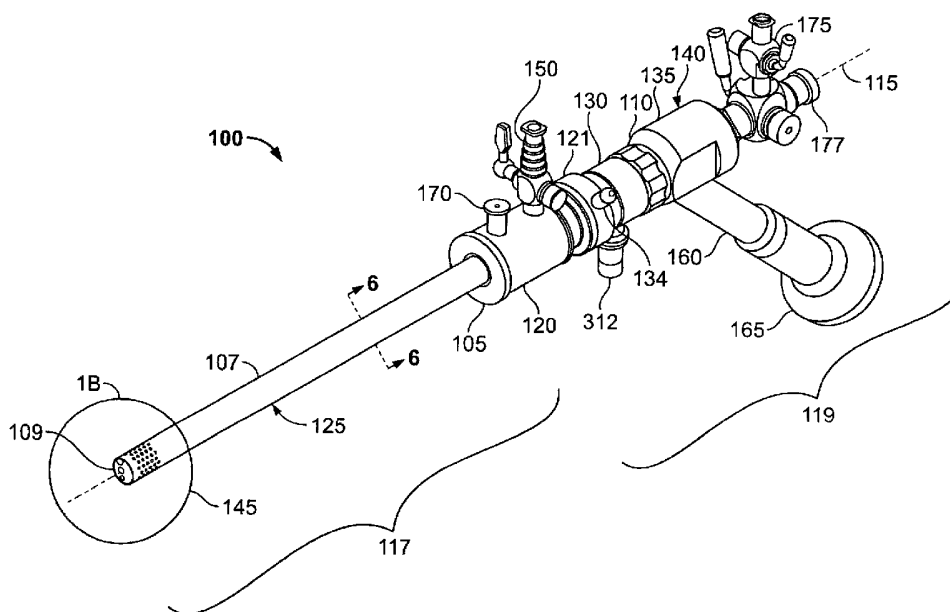
PCT

(10) International Publication Number
WO 2005/037088 A3

- (51) International Patent Classification⁷: A61B 1/12 (US). BENEDICT, Scott, M. [US/US]; Two Clocktower Place #312, Nashua, NH 03060 (US).
- (21) International Application Number: PCT/US2004/033932 (74) Agent: DEVLIN, Peter, J.; Fish & Richardson P.C., 225 Franklin Street, Boston, MA 02110-2804 (US).
- (22) International Filing Date: 15 October 2004 (15.10.2004) (81) Designated States (unless otherwise indicated, for every kind of national protection available): AE, AG, AL, AM, AT, AU, AZ, BA, BB, BG, BR, BW, BY, BZ, CA, CH, CN, CO, CR, CU, CZ, DE, DK, DM, DZ, EC, EE, EG, ES, FI, GB, GD, GE, GH, GM, HR, HU, ID, IL, IN, IS, JP, KE, KG, KP, KR, KZ, LC, LK, LR, LS, LT, LU, LV, MA, MD, MG, MK, MN, MW, MX, MZ, NA, NI, NO, NZ, OM, PG, PH, PL, PT, RO, RU, SC, SD, SE, SG, SK, SL, SY, TJ, TM, TN, TR, TT, TZ, UA, UG, US (patent), UZ, VC, VN, YU, ZA, ZM, ZW.
- (25) Filing Language: English
- (26) Publication Language: English
- (30) Priority Data: 10/685,590 16 October 2003 (16.10.2003) US (63) Related by continuation (CON) or continuation-in-part (CIP) to earlier application: US 10/685,590 (CON) Filed on 16 October 2003 (16.10.2003) (84) Designated States (unless otherwise indicated, for every kind of regional protection available): ARIPO (BW, GH, GM, KE, LS, MW, MZ, NA, SD, SL, SZ, TZ, UG, ZM, ZW), Eurasian (AM, AZ, BY, KG, KZ, MD, RU, TJ, TM), European (AT, BE, BG, CH, CY, CZ, DE, DK, EE, ES, FI, FR, GB, GR, HU, IE, IT, LU, MC, NL, PL, PT, RO, SE, SI, SK, TR), OAPI (BF, BJ, CF, CG, CI, CM, GA, GN, GQ, GW, ML, MR, NE, SN, TD, TG).
- (71) Applicant (for all designated States except US): SMITH & NEPHEW, INC. [US/US]; 1450 Brooks Road, Memphis, TN 38116 (US).
- (72) Inventors; and
- (75) Inventors/Applicants (for US only): SHENER, Cemal [US/US]; 37 Sylvanus Wood Lane, Woburn, MA 01801

[Continued on next page]

(54) Title: ENDOSCOPIC DEVICE



(57) Abstract: An endoscopic device for use at a site within a body includes an inner portion and a sheath surrounding the inner portion. The inner portion defines an operative channel and an optical channel. The operative channel provides a path for fluid to or from the body site. The sheath defines a pressure-sensing channel and a fluid channel that provides a path for fluid to or from the body site. The pressure-sensing channel and the fluid channel are defined between the sheath and the inner portion. The pressure-sensing channel is configured to couple to a pressure sensor to sense pressure at the body site.

WO 2005/037088 A3



Published:

- *with international search report*
- *before the expiration of the time limit for amending the claims and to be republished in the event of receipt of amendments*

For two-letter codes and other abbreviations, refer to the "Guidance Notes on Codes and Abbreviations" appearing at the beginning of each regular issue of the PCT Gazette.

(88) Date of publication of the international search report:

15 September 2005

INTERNATIONAL SEARCH REPORT

International Application No
PCT/US2004/033932

A. CLASSIFICATION OF SUBJECT MATTER

IPC 7 A61B1/12

According to International Patent Classification (IPC) or to both national classification and IPC

B. FIELDS SEARCHED

Minimum documentation searched (classification system followed by classification symbols)

IPC 7 A61B

Documentation searched other than minimum documentation to the extent that such documents are included in the fields searched

Electronic data base consulted during the international search (name of data base and, where practical, search terms used)

EPO-Internal

C. DOCUMENTS CONSIDERED TO BE RELEVANT

Category °	Citation of document, with indication, where appropriate, of the relevant passages	Relevant to claim No.
X	US 6 086 542 A (GLOWA ET AL) 11 July 2000 (2000-07-11)	1-23, 26, 28, 30
Y	column 3, line 34 - column 4, line 65; figures 1-7	24, 25, 29
Y	----- US 5 037 386 A (MARCUS ET AL) 6 August 1991 (1991-08-06)	24, 25, 29
	column 4, line 50 - column 4, line 58 column 5, line 4 - column 5, line 17; figure 4	
A	----- US 4 369 768 A (VUKOVIC ET AL) 25 January 1983 (1983-01-25)	1-23, 26, 28, 30
	column 1, line 30 - column 1, line 40 column 3, line 31 - column 3, line 57; figures 2, 3	
	----- -/--	

 Further documents are listed in the continuation of box C. Patent family members are listed in annex.

° Special categories of cited documents:

- *A* document defining the general state of the art which is not considered to be of particular relevance
- *E* earlier document but published on or after the international filing date
- *L* document which may throw doubts on priority claim(s) or which is cited to establish the publication date of another citation or other special reason (as specified)
- *O* document referring to an oral disclosure, use, exhibition or other means
- *P* document published prior to the international filing date but later than the priority date claimed

- *T* later document published after the international filing date or priority date and not in conflict with the application but cited to understand the principle or theory underlying the invention
- *X* document of particular relevance; the claimed invention cannot be considered novel or cannot be considered to involve an inventive step when the document is taken alone
- *Y* document of particular relevance; the claimed invention cannot be considered to involve an inventive step when the document is combined with one or more other such documents, such combination being obvious to a person skilled in the art.
- *&* document member of the same patent family

Date of the actual completion of the international search

29 June 2005

Date of mailing of the international search report

08 JUL 2005

Name and mailing address of the ISA

European Patent Office, P.B. 5818 Patentlaan 2
NL - 2280 HV Rijswijk
Tel. (+31-70) 340-2040, Tx. 31 651 epo nl,
Fax: (+31-70) 340-3016

Authorized officer

Lommel, A

INTERNATIONAL SEARCH REPORT

International Application No
PCT/US2004/033932

C.(Continuation) DOCUMENTS CONSIDERED TO BE RELEVANT

Category °	Citation of document, with indication, where appropriate, of the relevant passages	Relevant to claim No.
A	US 4 423 727 A (WIDRAN ET AL) 3 January 1984 (1984-01-03) column 4, line 1 - column 4, line 53 column 6, line 4 - column 6, line 19 -----	1,28,30
A	US 3 900 022 A (WIDRAN) 19 August 1975 (1975-08-19) column 2, line 27 - column 3, line 18; figures 1-4 -----	1,28,30

INTERNATIONAL SEARCH REPORT

International application No.
PCT/US2004/033932**Box II Observations where certain claims were found unsearchable (Continuation of item 2 of first sheet)**

This International Search Report has not been established in respect of certain claims under Article 17(2)(a) for the following reasons:

1. Claims Nos.: 27
because they relate to subject matter not required to be searched by this Authority, namely:
Rule 39.1(iv) PCT - Method for treatment of the human or animal body by surgery
2. Claims Nos.:
because they relate to parts of the International Application that do not comply with the prescribed requirements to such an extent that no meaningful International Search can be carried out, specifically:
3. Claims Nos.:
because they are dependent claims and are not drafted in accordance with the second and third sentences of Rule 6.4(a).

Box III Observations where unity of invention is lacking (Continuation of item 3 of first sheet)

This International Searching Authority found multiple inventions in this international application, as follows:

see additional sheet

1. As all required additional search fees were timely paid by the applicant, this International Search Report covers all searchable claims.
2. As all searchable claims could be searched without effort justifying an additional fee, this Authority did not invite payment of any additional fee.
3. As only some of the required additional search fees were timely paid by the applicant, this International Search Report covers only those claims for which fees were paid, specifically claims Nos.:
4. No required additional search fees were timely paid by the applicant. Consequently, this International Search Report is restricted to the invention first mentioned in the claims; it is covered by claims Nos.:

Remark on Protest

- The additional search fees were accompanied by the applicant's protest.
 No protest accompanied the payment of additional search fees.

FURTHER INFORMATION CONTINUED FROM PCT/ISA/ 210

This International Searching Authority found multiple (groups of) inventions in this international application, as follows:

1. claims: 1-23,26,28,30

Endoscopic device and shaft construction

2. claims: 1,24,25,29

Endoscopic device and pressure-sensing port

INTERNATIONAL SEARCH REPORT

International Application No
PCT/US2004/033932

Patent document cited in search report		Publication date	Patent family member(s)	Publication date
US 6086542	A	11-07-2000	NONE	
US 5037386	A	06-08-1991	CA 2027683 A1 DE 4034143 A1 FR 2654608 A3 JP 2514174 Y2 JP 3073157 U	18-05-1991 23-05-1991 24-05-1991 16-10-1996 23-07-1991
US 4369768	A	25-01-1983	US RE32158 E	27-05-1986
US 4423727	A	03-01-1984	AT 44224 T AU 8332082 A CA 1177350 A1 DE 3279783 D1 EP 0076302 A1 JP 1014778 B JP 58500594 T WO 8203545 A1	15-07-1989 04-11-1982 06-11-1984 03-08-1989 13-04-1983 14-03-1989 21-04-1983 28-10-1982
US 3900022	A	19-08-1975	NONE	