



US00D730713S

(12) **United States Design Patent**
Liang et al.

(10) **Patent No.:** **US D730,713 S**
(45) **Date of Patent:** **** Jun. 2, 2015**

- (54) **SASH LOCK AND KEEPER**
- (71) Applicants: **Luke Liang**, South Plainfield, NJ (US);
Tong Liang, Guangzhou (CN); **David Chen**, Guangzhou (CN)
- (72) Inventors: **Luke Liang**, South Plainfield, NJ (US);
Tong Liang, Guangzhou (CN); **David Chen**, Guangzhou (CN)
- (73) Assignee: **Vision Industries, Inc.**, So Plainfield, NJ (US)

D514,139 S *	1/2006	Ertz et al.	D15/89
7,013,689 B2 *	3/2006	Graham et al.	70/208
D584,595 S *	1/2009	Gray	D8/331
7,497,488 B2 *	3/2009	Chen	292/216
D700,824 S *	3/2014	Arthurs et al.	D8/331
D706,110 S *	6/2014	Williams	D8/331
D715,130 S *	10/2014	Sayegh et al.	D8/331

* cited by examiner

Primary Examiner — Prabhakar Deshmukh
(74) *Attorney, Agent, or Firm* — Thomas A. O'Rourke;
Bodner & Rourke, LLP

(**) Term: **14 Years**

(21) Appl. No.: **29/470,044**

(22) Filed: **Oct. 17, 2013**

(51) **LOC (10) Cl.** **08-07**

(52) **U.S. Cl.**
USPC **D8/331**; D8/339

(58) **Field of Classification Search**
USPC D8/330, 331, 343, 339, 349, 341;
70/107-111, 114, 118, 141, 488, 162;
292/2, 32, 63, 137, 174
See application file for complete search history.

(56) **References Cited**

U.S. PATENT DOCUMENTS

6,913,297 B2 *	7/2005	Jackson et al.	292/196
6,973,810 B2 *	12/2005	Chen	70/208

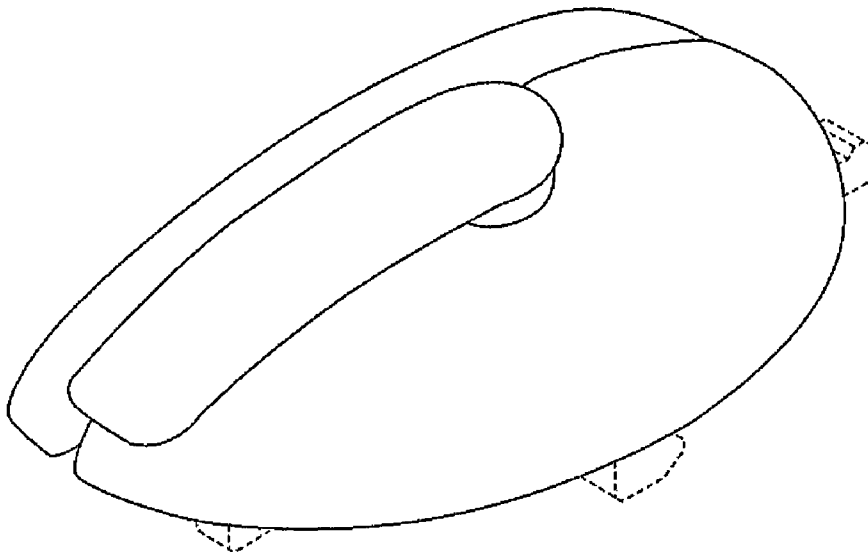
(57) **CLAIM**

The ornamental design for a sash lock and keeper, as shown and described.

DESCRIPTION

FIG. 1 is a right side view of a sash lock and keeper showing our new design;
FIG. 2 is a left side view thereof;
FIG. 3 is a rear elevational view thereof;
FIG. 4 is a front elevational view thereof;
FIG. 5 is a front, top perspective view thereof;
FIG. 6 is a rear, top perspective view thereof; and,
FIG. 7 is a top plan view thereof.
The broken lines environment is for illustrative purpose only and forms no part of the claimed design.

1 Claim, 4 Drawing Sheets



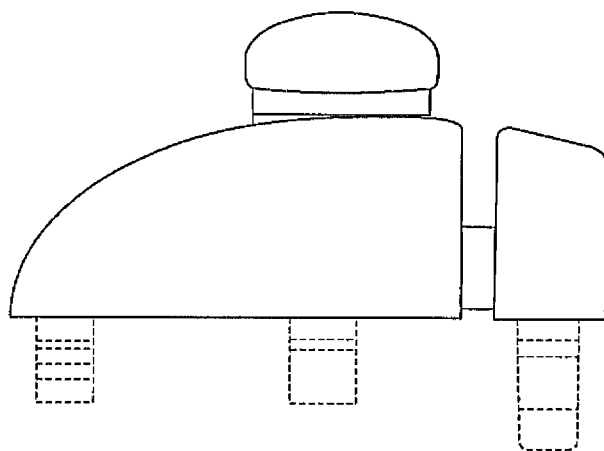


FIG. 1

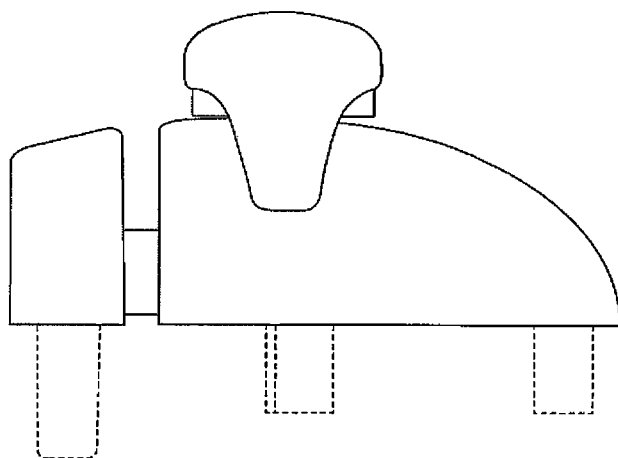


FIG. 2

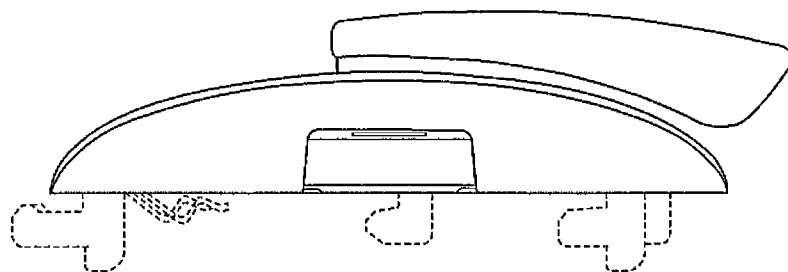


FIG. 3

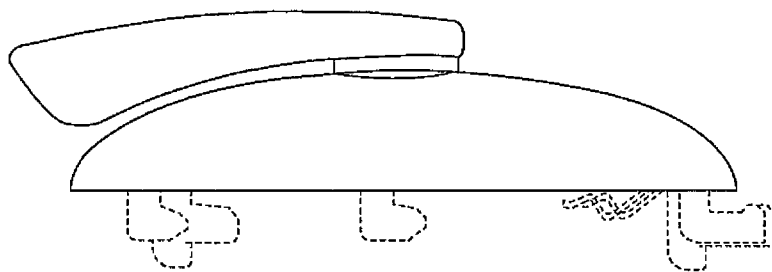


FIG. 4

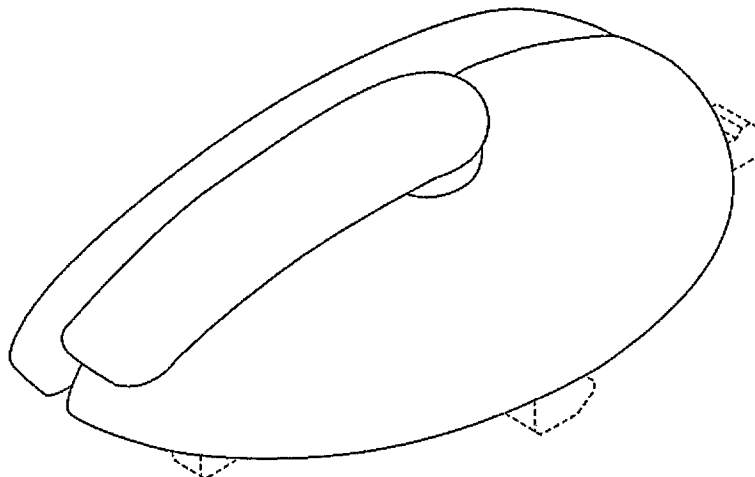


FIG. 5

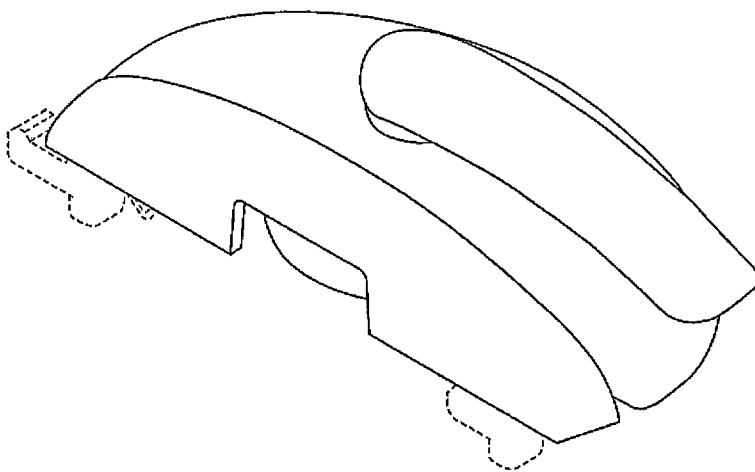


FIG. 6

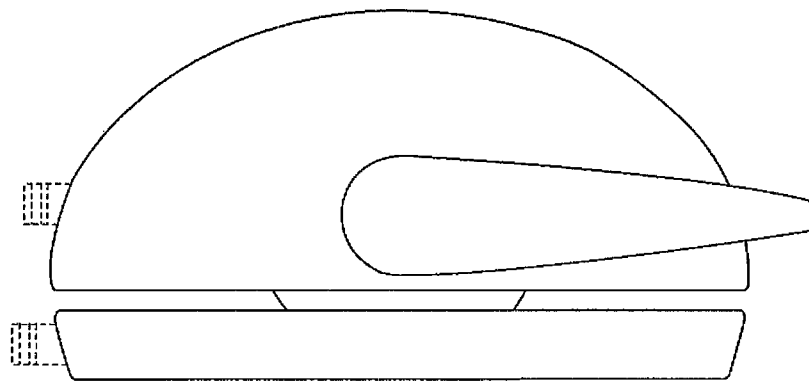


FIG. 7