



- (51) International Patent Classification:
H01R 24/58 (2011.01) *H01R 4/24* (2006.01)
- (21) International Application Number:
PCT/US2012/042463
- (22) International Filing Date:
14 June 2012 (14.06.2012)
- (25) Filing Language: English
- (26) Publication Language: English
- (30) Priority Data:
61/499,467 21 June 2011 (21.06.2011) US
- (71) Applicant (for all designated States except US): **ADC TELECOMMUNICATIONS, INC.** [US/US]; 13625 Technology Drive, Eden Prairie, MN 55344-2252 (US).
- (72) Inventors; and
- (75) Inventors/Applicants (for US only): **TAYLOR, Christopher** [GB/GB]; 29 Haycroft Close, Bishops Cleeve, Cheltenham Glos GL52 8SR (GB). **WHITE, Gordon, John** [GB/GB]; 17 Oxstalls Way, Longlevens, Gloucester, Gloucestershire GL2 9JF (GB).
- (74) Agent: **BRUESS, Steven, C.**; Merchant & Gould P.C., P.o.box 2903, Minneapolis, MN 55402-0903 (US).

- (81) Designated States (unless otherwise indicated, for every kind of national protection available): AE, AG, AL, AM, AO, AT, AU, AZ, BA, BB, BG, BH, BR, BW, BY, BZ, CA, CH, CL, CN, CO, CR, CU, CZ, DE, DK, DM, DO, DZ, EC, EE, EG, ES, FI, GB, GD, GE, GH, GM, GT, HN, HR, HU, ID, IL, IN, IS, JP, KE, KG, KM, KN, KP, KR, KZ, LA, LC, LK, LR, LS, LT, LU, LY, MA, MD, ME, MG, MK, MN, MW, MX, MY, MZ, NA, NG, NI, NO, NZ, OM, PE, PG, PH, PL, PT, QA, RO, RS, RU, RW, SC, SD, SE, SG, SK, SL, SM, ST, SV, SY, TH, TJ, TM, TN, TR, TT, TZ, UA, UG, US, UZ, VC, VN, ZA, ZM, ZW.
- (84) Designated States (unless otherwise indicated, for every kind of regional protection available): ARIPO (BW, GH, GM, KE, LR, LS, MW, MZ, NA, RW, SD, SL, SZ, TZ, UG, ZM, ZW), Eurasian (AM, AZ, BY, KG, KZ, RU, TJ, TM), European (AL, AT, BE, BG, CH, CY, CZ, DE, DK, EE, ES, FI, FR, GB, GR, HR, HU, IE, IS, IT, LT, LU, LV, MC, MK, MT, NL, NO, PL, PT, RO, RS, SE, SI, SK, SM, TR), OAPI (BF, BJ, CF, CG, CI, CM, GA, GN, GQ, GW, ML, MR, NE, SN, TD, TG).

Published:

— with international search report (Art. 21(3))

- (88) Date of publication of the international search report:
11 April 2013

(54) Title: CONNECTOR WITH CABLE RETENTION FEATURE AND PATCH CORD HAVING THE SAME

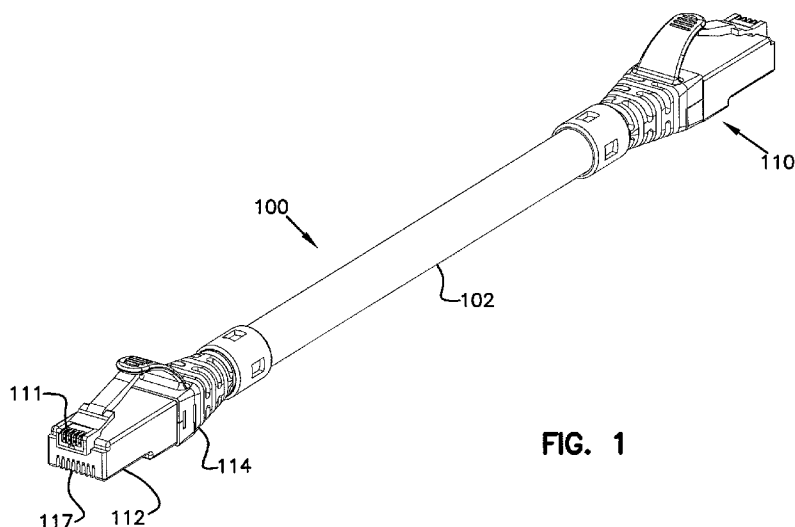


FIG. 1

(57) Abstract: A patch cord including a connector attached to an end of an electrical cable. The connector includes a single-piece attachment member having a management section, a boot, and collar including a retention arrangement. Certain types of retention arrangements include one or more teeth that protrude inwardly from the collar to bite into at least an outer jacket of the electrical cable.



A. CLASSIFICATION OF SUBJECT MATTER**H01R 24/58(2011.01)i, H01R 4/24(2006.01)i**

According to International Patent Classification (IPC) or to both national classification and IPC

B. FIELDS SEARCHED

Minimum documentation searched (classification system followed by classification symbols)

H01R 24/58; H01R 13/66; G01R 31/02; H01R 24/00; H01R 13/627; H01R 12/00

Documentation searched other than minimum documentation to the extent that such documents are included in the fields searched

Korean utility models and applications for utility models

Japanese utility models and applications for utility models

Electronic data base consulted during the international search (name of data base and, where practicable, search terms used)

eKOMPASS(KIPO internal) & Keywords: twisted cable, jacket, nose, boot, tooth, collar

C. DOCUMENTS CONSIDERED TO BE RELEVANT

Category*	Citation of document, with indication, where appropriate, of the relevant passages	Relevant to claim No.
A	US 2011-0115494 A1 (CHRIS TAYLOR et al.) 19 May 2011 See abstract, paragraphs [0071] - [0073], claims 1, 7, 30 and figures 4-5, 14	1-14
A	US 2005-0287873 A1 (JAMES A. CARROLL et al.) 29 December 2005 See abstract, paragraphs [0069] - [0071], claims 1, 23 and figures 1-8.	1-14
A	US 2009-0275228 A1 (RANDALL R. HENRY et al.) 05 November 2009 See abstract, paragraphs [0015] - [0017], claims 1, 13, 21 and figures 1-3.	1-14
A	US 2008-0220658 A1 (JACK E. CAVENEY et al.) 11 September 2008 See abstract, paragraphs [0032] - [0033] and figures 1-4.	1-14

 Further documents are listed in the continuation of Box C. See patent family annex.

* Special categories of cited documents:

"A" document defining the general state of the art which is not considered to be of particular relevance

"E" earlier application or patent but published on or after the international filing date

"L" document which may throw doubts on priority claim(s) or which is cited to establish the publication date of citation or other special reason (as specified)

"O" document referring to an oral disclosure, use, exhibition or other means

"P" document published prior to the international filing date but later than the priority date claimed

"T" later document published after the international filing date or priority date and not in conflict with the application but cited to understand the principle or theory underlying the invention

"X" document of particular relevance; the claimed invention cannot be considered novel or cannot be considered to involve an inventive step when the document is taken alone

"Y" document of particular relevance; the claimed invention cannot be considered to involve an inventive step when the document is combined with one or more other such documents, such combination being obvious to a person skilled in the art

"&" document member of the same patent family

Date of the actual completion of the international search

28 DECEMBER 2012 (28.12.2012)

Date of mailing of the international search report

02 JANUARY 2013 (02.01.2013)

Name and mailing address of the ISA/KR

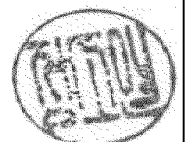
Korean Intellectual Property Office
189 Cheongsu-ro, Seo-gu, Daejeon Metropolitan
City, 302-701, Republic of Korea

Facsimile No. 82-42-472-7140

Authorized officer

JEONG, So Yeon

Telephone No. 82-42-481-5656



INTERNATIONAL SEARCH REPORT

Information on patent family members

International application No.

PCT/US2012/042463

Patent document cited in search report	Publication date	Patent family member(s)	Publication date
US 2011-0115494 A1	19.05.2011	EP 2491623 A1	29.08.2012
		WO 2011-049967 A1	28.04.2011
		WO 2011-049967 A8	07.07.2011
		WO 2011-049967 A8	28.04.2011
US 2005-0287873 A1	29.12.2005	US 2006-0160407 A1	20.07.2006
		US 7229309 B2	12.06.2007
US 2009-0275228 A1	05.11.2009	CN 101572363 A	04.11.2009
		EP 2113968 A2	04.11.2009
		EP 2113968 A3	20.07.2011
		US 7651361 B2	26.01.2010
US 2008-0220658 A1	11.09.2008	AT 408908 T	15.10.2008
		AU 2003-228620 A1	03.11.2003
		AU 2003-228620 A8	03.11.2003
		CN 100468883 C	11.03.2009
		CN 100468883 C0	11.03.2009
		CN 100499236 C	10.06.2009
		CN 101488615 A	22.07.2009
		CN 1647326 A	27.07.2005
		CN 1832238 A0	13.09.2006
		DE 60323619 D1	30.10.2008
		EP 1497894 A2	19.01.2005
		EP 1497894 B1	17.09.2008
		EP 1965473 A2	03.09.2008
		EP 1965473 A3	17.09.2008
		EP 1965473 B1	20.06.2012
		EP 2259388 A1	08.12.2010
		JP 04-219279 B2	04.02.2009
		JP 04-823286 B2	16.09.2011
		JP 2005-523567 A	04.08.2005
		JP 2005-523567 T	04.08.2005
		JP 2006-253040 A	21.09.2006
		JP 2009-026768 A	05.02.2009
		JP 4823286 B2	24.11.2011
		US 2003-0199192 A1	23.10.2003
		US 2005-0037672 A1	17.02.2005
		US 2006-0134996 A1	22.06.2006
		US 2006-0210842 A1	21.09.2006
		US 2007-0105453 A1	10.05.2007
		US 2009-0269973 A1	29.10.2009
		US 2012-058689 A1	08.03.2012
		US 6811445 B2	02.11.2004
		US 7018241 B2	28.03.2006
		US 7168994 B2	30.01.2007
US 7374458 B2	20.05.2008		
US 7556536 B2	07.07.2009		
US 8043124 B2	25.10.2011		

INTERNATIONAL SEARCH REPORT

Information on patent family members

International application No.

PCT/US2012/042463

Patent document cited in search report	Publication date	Patent family member(s)	Publication date
		WO 03-090323 A2	30.10.2003
		WO 03-090323 A3	30.10.2003
		WO 03-090323 A3	22.01.2004