



US00D440982S

(12) **United States Design Patent**
Knight et al.

(10) **Patent No.:** **US D440,982 S**

(45) **Date of Patent:** **** Apr. 24, 2001**

(54) **COMBINED COMPACT TRACTOR OPERATOR PLATFORM, HOOD AND FUEL TANK**

D. 392,981 * 3/1998 Smith D15/15
5,782,312 * 7/1998 Murakawa 180/69.2

* cited by examiner

(75) Inventors: **David L. Knight**, Evans, GA (US);
Donald J. Hager, Lebanon, PA (US);
Robert D. Kurtz, Jr., Leola, PA (US);
Kevin W. Ward, Lititz, PA (US)

Primary Examiner—Sandra L. Morris
(74) *Attorney, Agent, or Firm*—J. William Stader; Larry W. Miller

(73) Assignee: **New Holland North America, Inc.**,
New Holland, PA (US)

(57) **CLAIM**

(**) Term: **14 Years**

We claim the ornamental design for a combined compact tractor operator platform, hood and fuel tank, as shown and described.

(21) Appl. No.: **29/115,965**

DESCRIPTION

(22) Filed: **Dec. 23, 1999**

FIG. 1 is a front left corner perspective view of the combined compact tractor operator platform, hood and fuel tank in relationship to the unclaimed compact tractor.

(51) **LOC (7) Cl.** **15-03**

(52) **U.S. Cl.** **D15/23; D15/31**

(58) **Field of Search** D15/10, 15, 17,
D15/22-26, 28, 30, 31, 33; D12/164, 165;
56/17.5, 202, 255, 294, 320.1, 320.2; 172/811;
180/69.2, 89.1, 89.12, 89.13

FIG. 2 is a side perspective view as seen from the left side showing the combined compact tractor operator platform, hood and fuel tank in relationship to the unclaimed compact tractor.

FIG. 3 is a front perspective view of the combined compact tractor operator platform, hood and fuel tank in relationship to the unclaimed compact tractor.

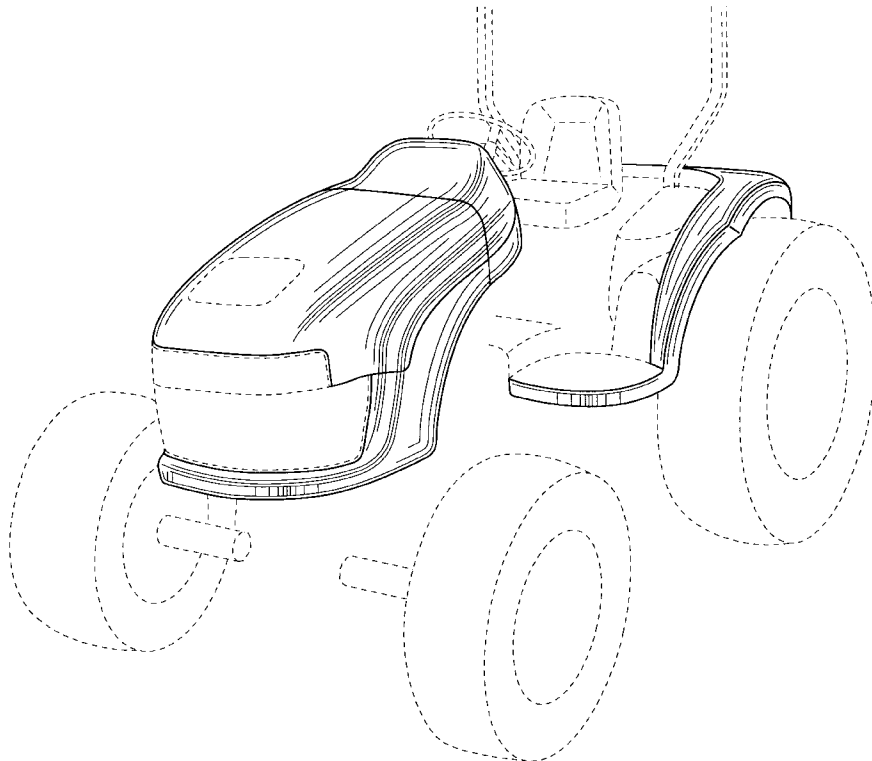
(56) **References Cited**

U.S. PATENT DOCUMENTS

- D. 325,208 * 4/1992 Hosonuma D15/15
- D. 344,959 * 3/1994 Patterson et al. D15/17
- D. 354,756 * 1/1995 Hinklin D15/15
- D. 363,940 * 11/1995 Hinklin D15/15
- D. 381,341 * 7/1997 Goebert et al. D15/31
- D. 383,470 * 9/1997 Westmayer et al. D15/31

FIG. 4 is a rear right corner perspective view of the combined compact tractor operator platform, hood and fuel tank in relationship to the unclaimed compact tractor; and, FIG. 5 is a rear perspective view of the combined compact tractor operator platform, hood and fuel tank in relationship to the unclaimed compact tractor.

1 Claim, 5 Drawing Sheets



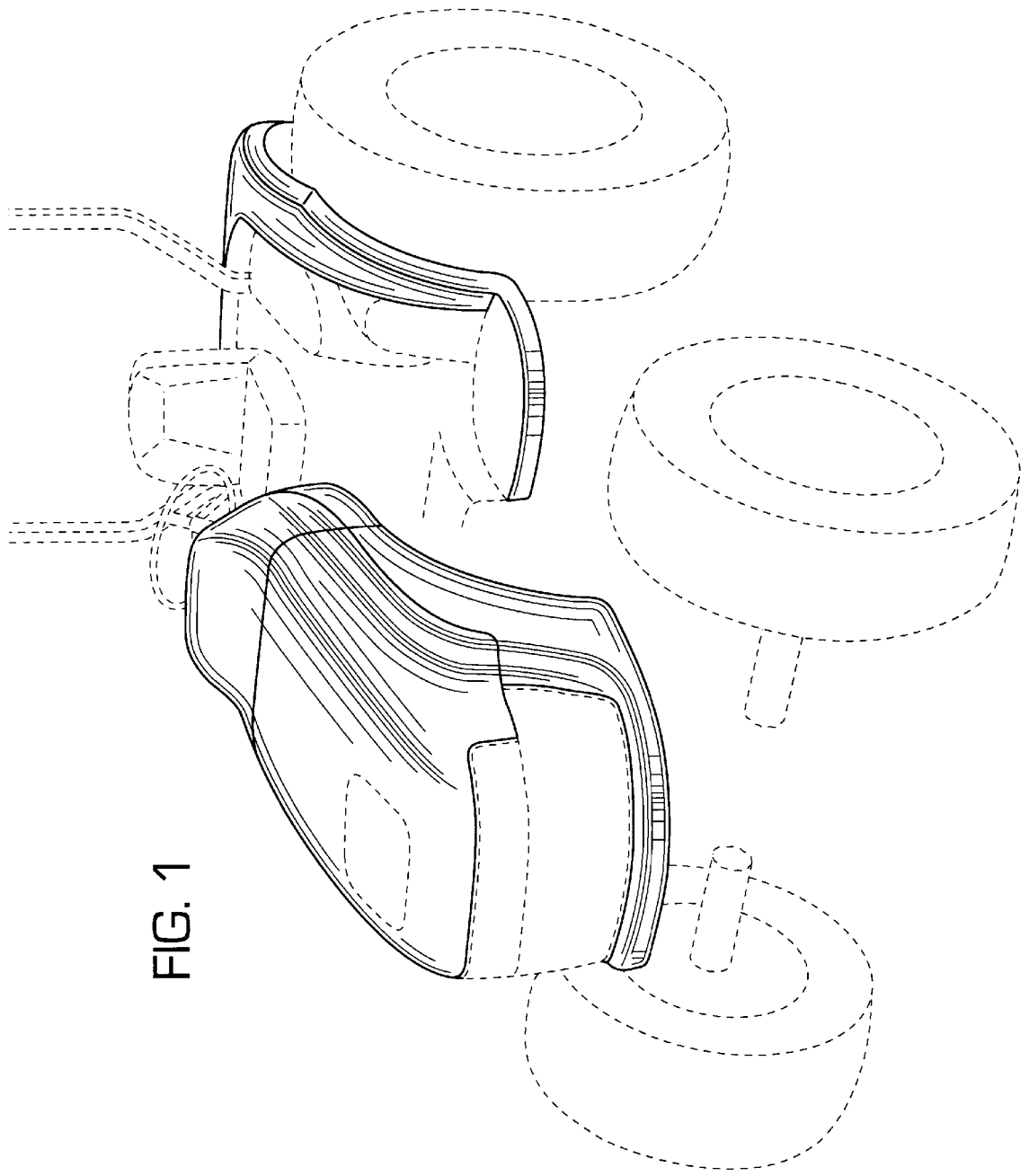


FIG. 1

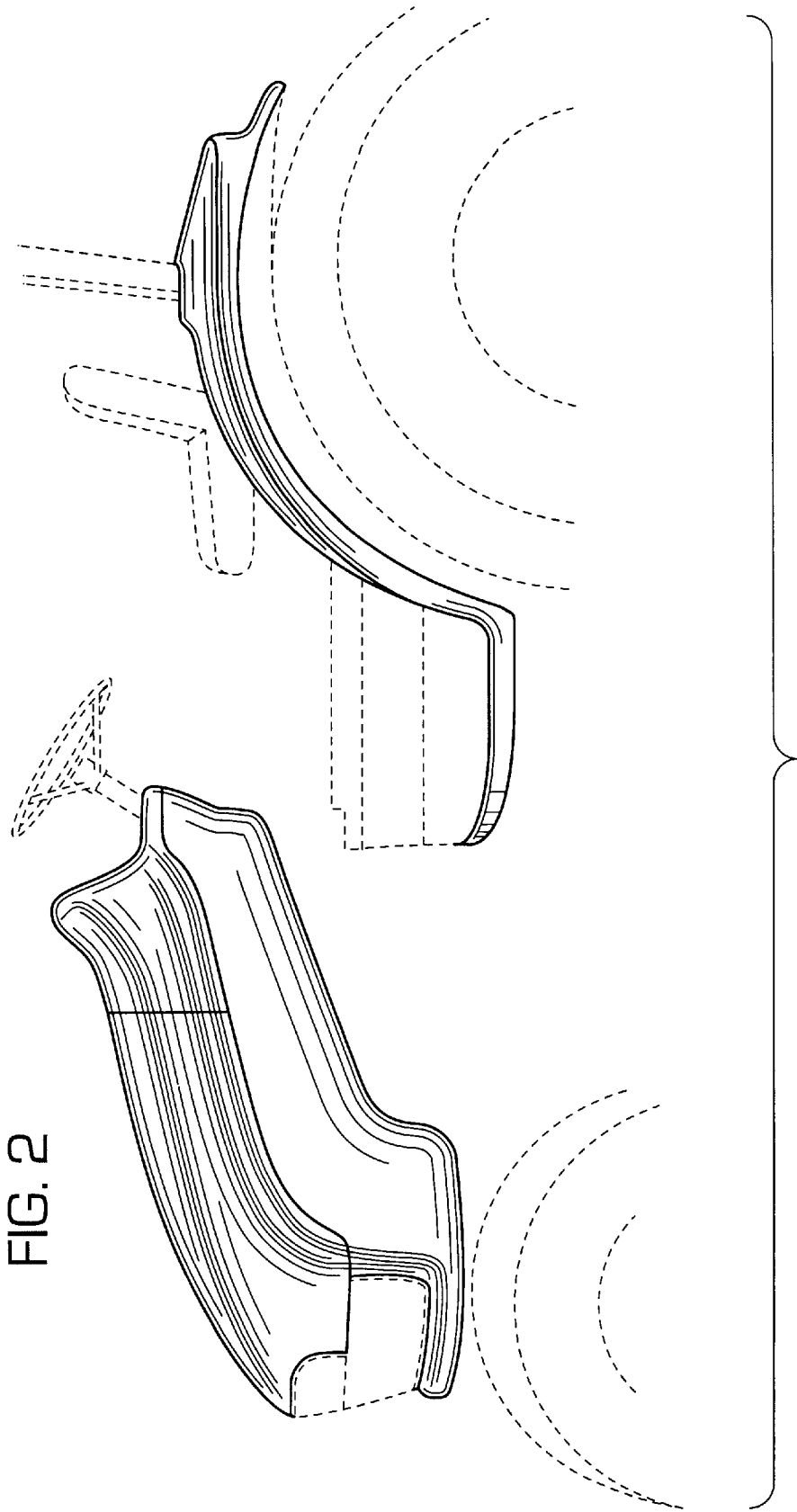


FIG. 2

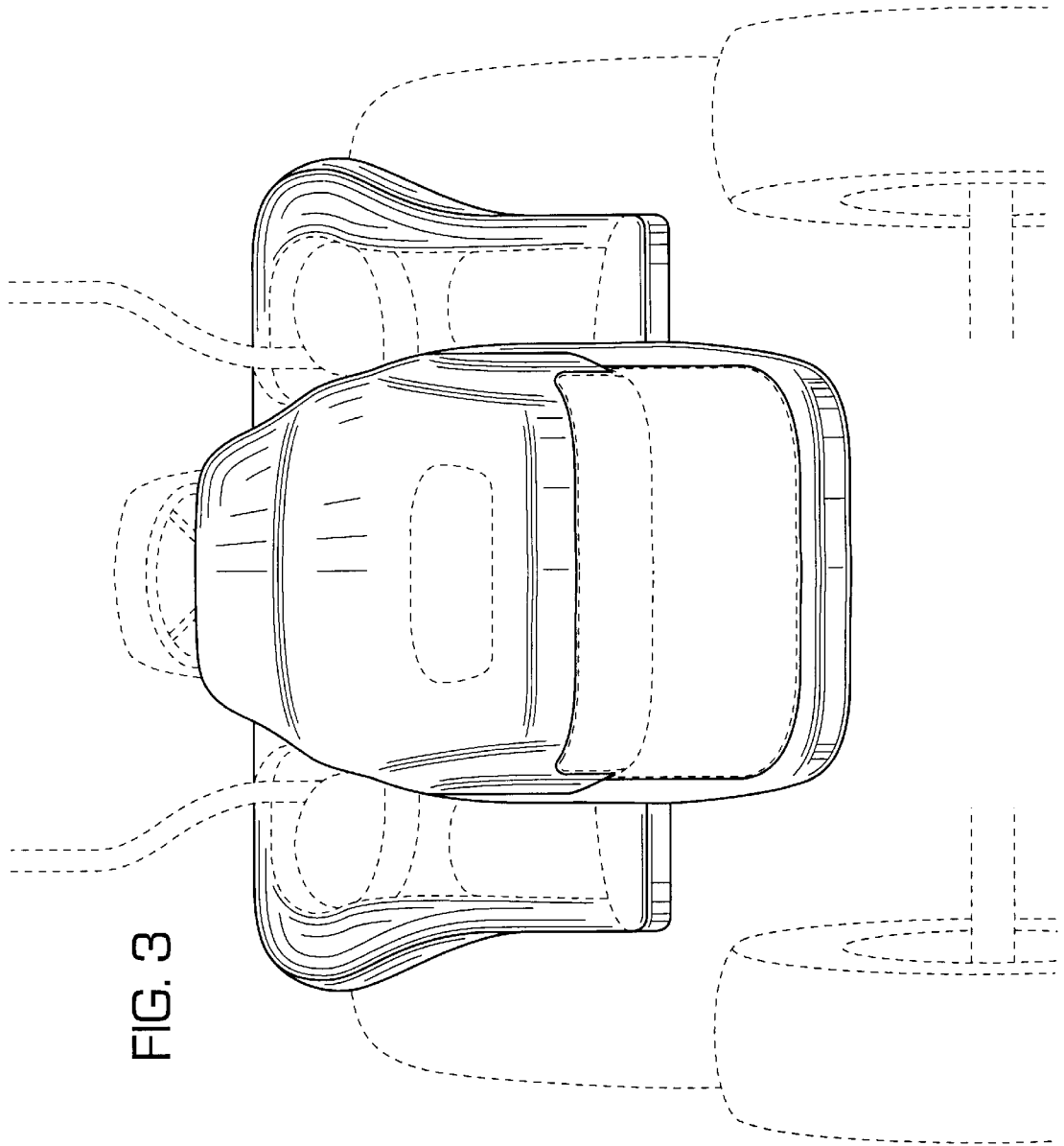
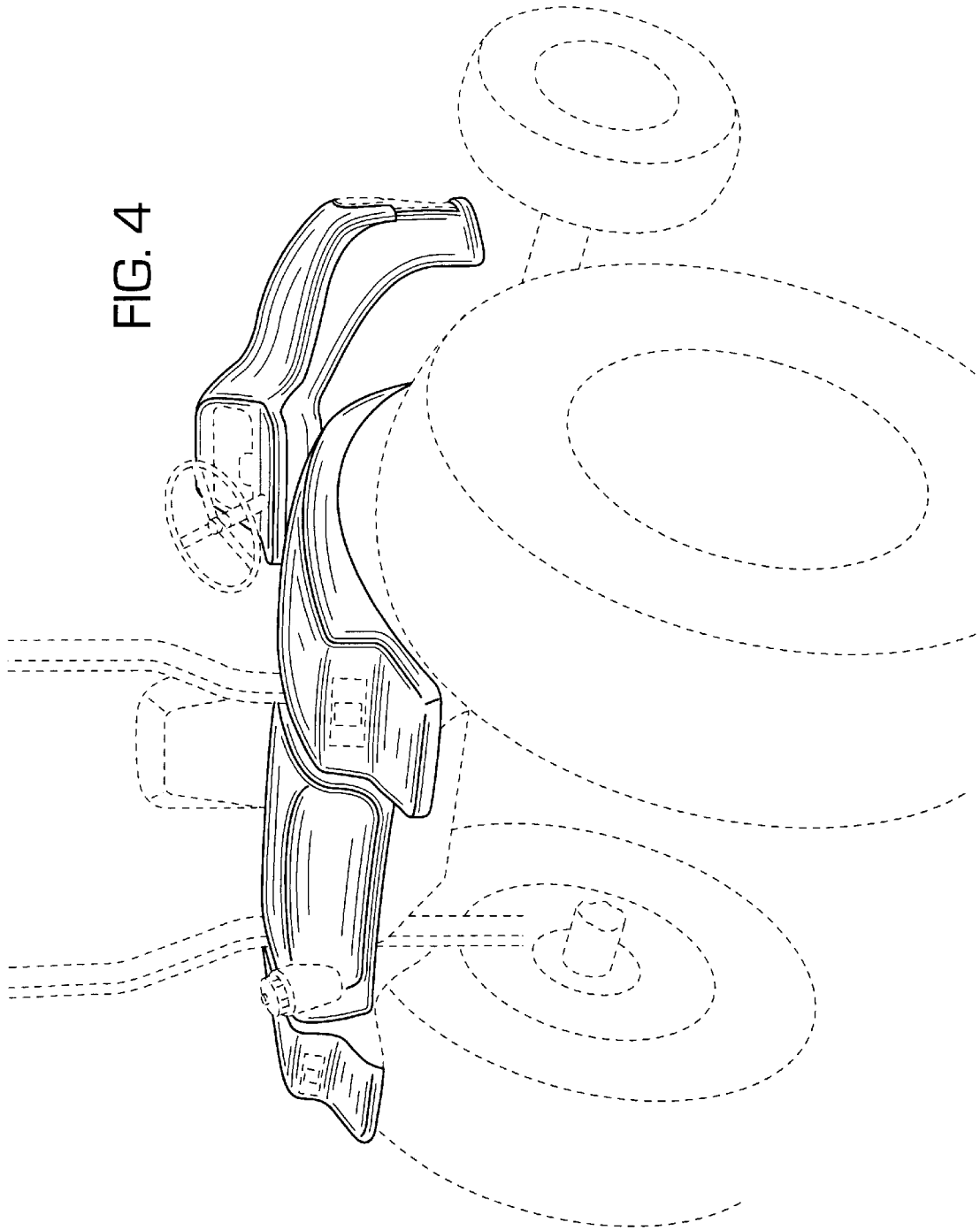


FIG. 3

FIG. 4



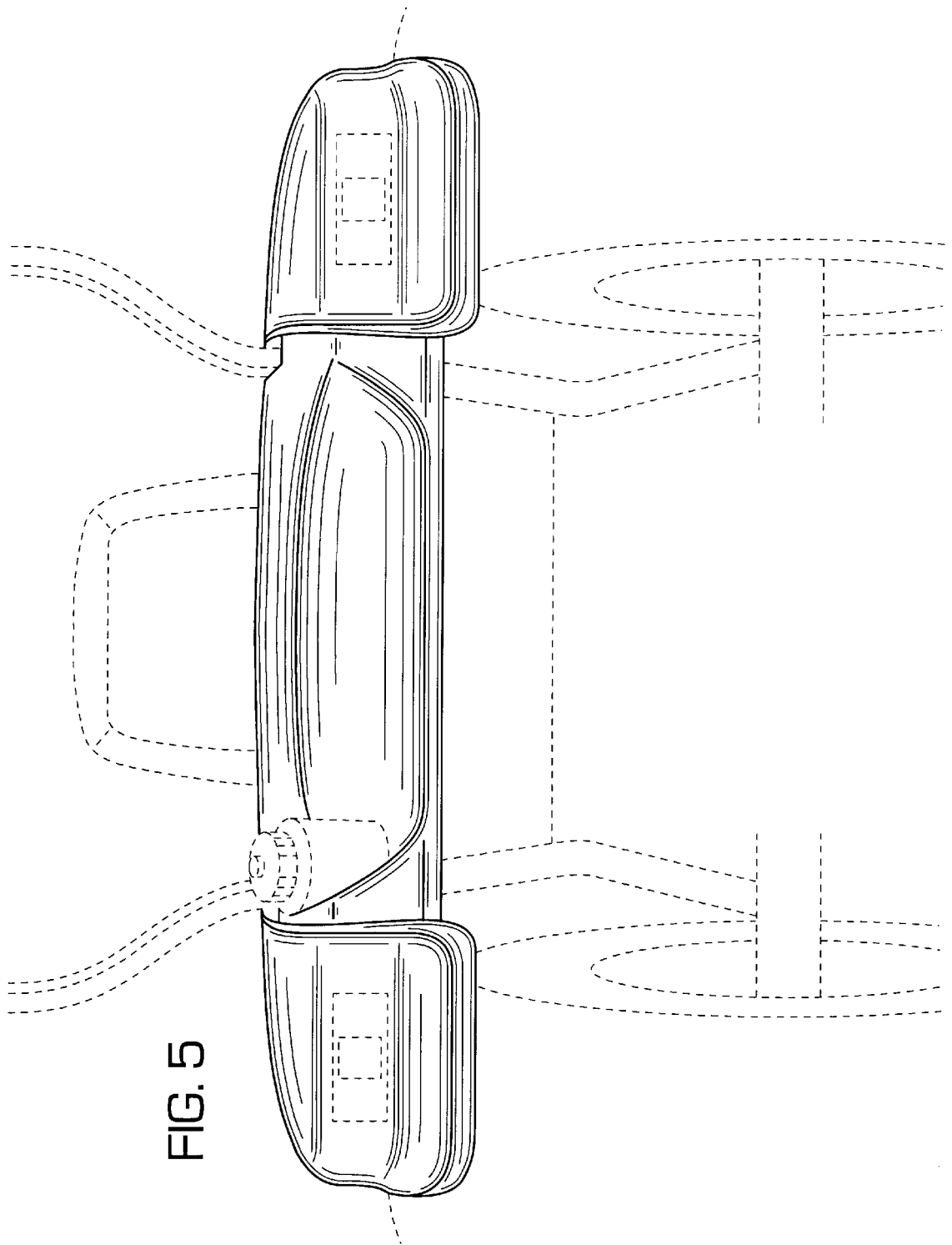


FIG. 5