

(19) World Intellectual Property Organization  
International Bureau



(43) International Publication Date  
28 September 2006 (28.09.2006)

PCT

(10) International Publication Number  
WO 2006/100670 A3

(51) International Patent Classification:

A47K 1/05 (2006.01) E03C 1/326 (2006.01)  
E03C 1/04 (2006.01)

(21) International Application Number:

PCT/IL2006/000354

(22) International Filing Date: 20 March 2006 (20.03.2006)

(25) Filing Language: English

(26) Publication Language: English

(30) Priority Data:

167568 21 March 2005 (21.03.2005) IL

(71) Applicant (for all designated States except US): **SH.A.L. 3000 LTD.** [IL/IL]; C/O Rechnitz, Kessler, Yosif Or and Partners, Bet Gibor Sport, 52521 Ramat Gan (IL).

(72) Inventor; and

(75) Inventor/Applicant (for US only): **OHANA, Arik** [IL/IL]; Magen David 16, Herzliya, 46347 Herzliya (IL).

(74) Agent: **FACTOR, Michael**; Factor Patent Attorneys, 11 Amal Street, Park Afek, 48092 Rosnhaayin (IL).

(81) Designated States (unless otherwise indicated, for every kind of national protection available): AE, AG, AL, AM,

AT, AU, AZ, BA, BB, BG, BR, BW, BY, BZ, CA, CH, CN, CO, CR, CU, CZ, DE, DK, DM, DZ, EC, EE, EG, ES, FI, GB, GD, GE, GH, GM, HR, HU, ID, IL, IN, IS, JP, KE, KG, KM, KN, KP, KR, KZ, LC, LK, LR, LS, LT, LU, LV, LY, MA, MD, MG, MK, MN, MW, MX, MZ, NA, NG, NI, NO, NZ, OM, PG, PH, PL, PT, RO, RU, SC, SD, SE, SG, SK, SL, SM, SY, TJ, TM, TN, TR, TT, TZ, UA, UG, US, UZ, VC, VN, YU, ZA, ZM, ZW.

(84) Designated States (unless otherwise indicated, for every kind of regional protection available): ARIPO (BW, GH, GM, KE, LS, MW, MZ, NA, SD, SL, SZ, TZ, UG, ZM, ZW), Eurasian (AM, AZ, BY, KG, KZ, MD, RU, TJ, TM), European (AT, BE, BG, CH, CY, CZ, DE, DK, EE, ES, FI, FR, GB, GR, HU, IE, IS, IT, LT, LU, LV, MC, NL, PL, PT, RO, SE, SI, SK, TR), OAPI (BF, BJ, CF, CG, CI, CM, GA, GN, GQ, GW, ML, MR, NE, SN, TD, TG).

Declarations under Rule 4.17:

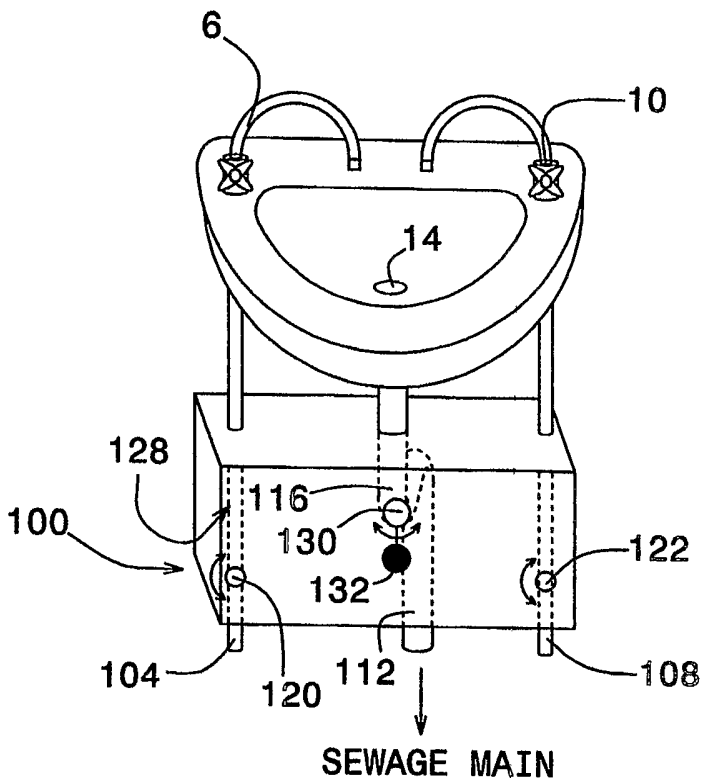
- as to the identity of the inventor (Rule 4.17(i))
- as to applicant's entitlement to apply for and be granted a patent (Rule 4.17(ii))

Published:

- with international search report

[Continued on next page]

(54) Title: PLUMBING DEVICE



(57) Abstract: A conduit block for replacing conventional piping under a sink, comprising at least a first liquid inlet conduit and a drainage conduit encased in a block; the first liquid conduit for connection to a faucet for pouring the liquid into the sink and the drainage conduit for connecting the drainage hole of the sink to a drainage pipe.

WO 2006/100670 A3



— *before the expiration of the time limit for amending the claims and to be republished in the event of receipt of amendments*

*For two-letter codes and other abbreviations, refer to the "Guidance Notes on Codes and Abbreviations" appearing at the beginning of each regular issue of the PCT Gazette.*

**(88) Date of publication of the international search report:**

7 December 2006

# INTERNATIONAL SEARCH REPORT

International application No.

PCT/IL06/00354

<b>A. CLASSIFICATION OF SUBJECT MATTER</b> IPC:     A47K 1/05( 2006.01);E03C 1/04( 2006.01),1/326( 2006.01)  USPC:     4/643,695,696 According to International Patent Classification (IPC) or to both national classification and IPC		
<b>B. FIELDS SEARCHED</b>  Minimum documentation searched (classification system followed by classification symbols) U.S. : 4/256.1, 643, 670, 671, 695, 696  Documentation searched other than minimum documentation to the extent that such documents are included in the fields searched  Electronic data base consulted during the international search (name of data base and, where practicable, search terms used)		
<b>C. DOCUMENTS CONSIDERED TO BE RELEVANT</b>		
Category *	Citation of document, with indication, where appropriate, of the relevant passages	Relevant to claim No.
X --- Y	US 5,418,986 A (WARKUS et al.) 30 May 1995 (30.05.1995), see entire document.	1-7, 9, 10, 12-14, 21-24 ----- 18-20
X --- Y	US 3,174,158 A (RUSSELL) 23 March 1965 (23.03.1965), see entire document.	1-10, 12, 14 ----- 18-20
X Y	US 2,787,027 A (BAKER) 02 April 1957 (02.04.1957), see entire document.  US 1,576,993 A (PENNINGTON) 16 March 1926 (16.03.1926), Fig. 3.	1, 4-6, 9-17  18-20
<input type="checkbox"/> Further documents are listed in the continuation of Box C. <input type="checkbox"/> See patent family annex.		
* Special categories of cited documents:		
"A" document defining the general state of the art which is not considered to be of particular relevance	"T" later document published after the international filing date or priority date and not in conflict with the application but cited to understand the principle or theory underlying the invention	
"E" earlier application or patent published on or after the international filing date	"X" document of particular relevance; the claimed invention cannot be considered novel or cannot be considered to involve an inventive step when the document is taken alone	
"L" document which may throw doubts on priority claim(s) or which is cited to establish the publication date of another citation or other special reason (as specified)	"Y" document of particular relevance; the claimed invention cannot be considered to involve an inventive step when the document is combined with one or more other such documents, such combination being obvious to a person skilled in the art	
"O" document referring to an oral disclosure, use, exhibition or other means	"&" document member of the same patent family	
"P" document published prior to the international filing date but later than the priority date claimed		
Date of the actual completion of the international search 23 August 2006 (23.08.2006)	Date of mailing of the international search report <div style="text-align: center; font-size: 1.5em; font-weight: bold;">27 SEP 2006</div>	
Name and mailing address of the ISA/US Mail Stop PCT, Attn: ISA/US Commissioner for Patents P.O. Box 1450 Alexandria, Virginia 22313-1450 Facsimile No. (571) 273-3201	Authorized officer Robert M. Feisuga Telephone No. 571-272-3700	