



US00D324249S

United States Patent [19]

[11] Patent Number: **Des. 324,249**

Dahle

[45] Date of Patent: **** Feb. 25, 1992**

[54] **PUTTER HEAD**

D. 270,852 10/1983 Mahaffey D21/217
D. 275,981 10/1984 Duclos D21/219

[75] Inventor: **Douglas L. Dahle**, Springdale, Ark.

Primary Examiner—Melvin B. Feifer
Attorney, Agent, or Firm—Vorys, Sater, Seymours & Pease

[73] Assignee: **Aristocrat Manufacturing Company**,
Springdale, Ark.

[**] Term: **14 Years**

[57] **CLAIM**

[21] Appl. No.: **352,485**

The ornamental design for a putter head, as shown.

[22] Filed: **May 16, 1989**

DESCRIPTION

[52] U.S. Cl. **D21/219**

FIG. 1 is a rear perspective view of a putter head showing my new design;

[58] Field of Search **D21/214-220;**

273/164, 167-175

FIG. 2 is a rear elevational view thereof;

FIG. 3 is a top plan view thereof;

FIG. 4 is a front elevational view thereof;

FIG. 5 is a bottom plan view thereof;

FIG. 6 is a right side elevational view thereof; and

FIG. 7 is a left side elevational view thereof.

[56] **References Cited**

U.S. PATENT DOCUMENTS

D. 213,509 3/1969 Solheim D21/219

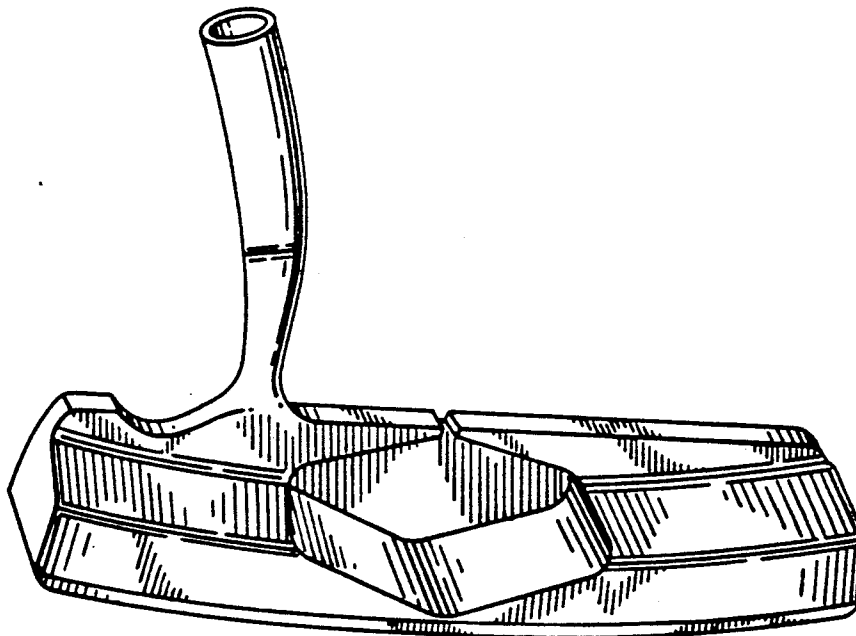


FIG. 1

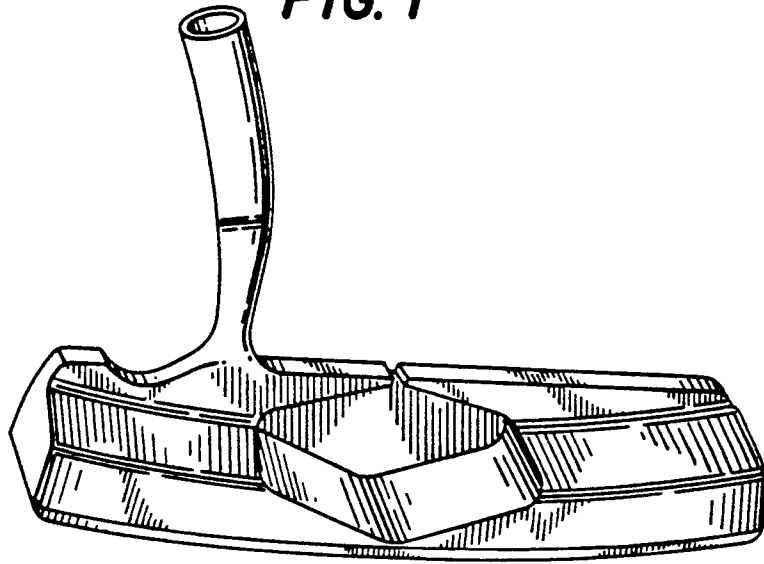


FIG. 2

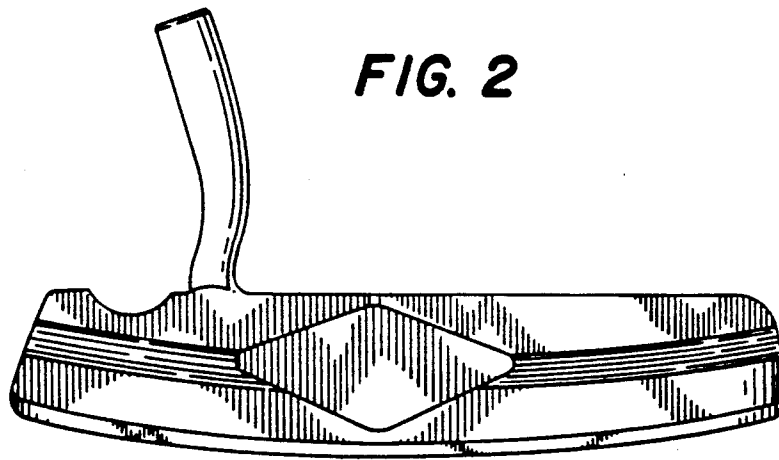


FIG. 3

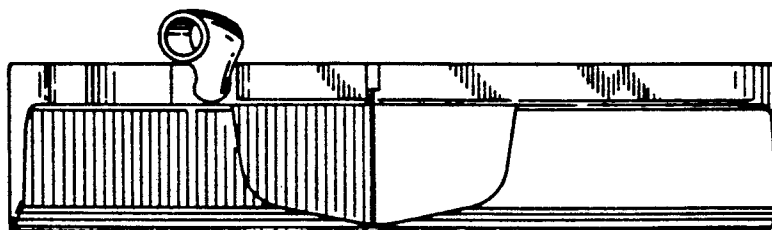


FIG. 4

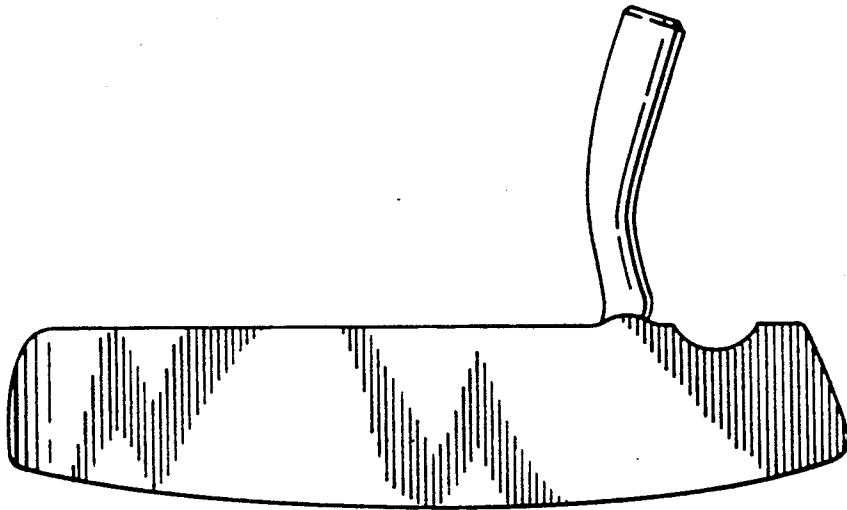


FIG. 5

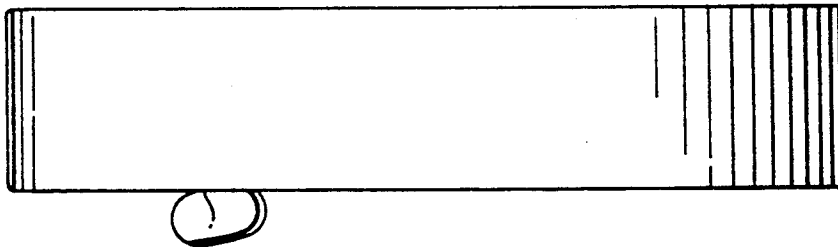


FIG. 6

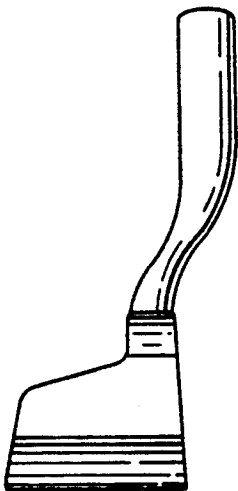


FIG. 7

