



US0D1069031S

(12) **United States Design Patent**
Nakagawa

(10) **Patent No.:** **US D1,069,031 S**

(45) **Date of Patent:** **** Apr. 1, 2025**

(54) **WATER COLLECTING HEADER FOR
FILTERING DEVICE**

FOREIGN PATENT DOCUMENTS

(71) Applicant: **MEIDENSHA CORPORATION**,
Tokyo (JP)

CN 202330866243.3 * 12/2023
JP 1291221 S 1/2007

(Continued)

(72) Inventor: **Akitoshi Nakagawa**, Tokyo (JP)

OTHER PUBLICATIONS

(73) Assignee: **MEIDENSHA CORPORATION**,
Tokyo (JP)

JPO; Application No. 2021-005065; Notification and Notice of Allowance dated Jul. 30, 2021.

(**) Term: **15 Years**

Primary Examiner — George J Ulsh

Assistant Examiner — Andrea Marie McKay

(21) Appl. No.: **29/807,123**

(74) *Attorney, Agent, or Firm* — Fitch, Even, Tabin & Flannery LLP

(22) Filed: **Sep. 9, 2021**

(57) **CLAIM**

The ornamental design for a water collecting header for filtering device, as shown and described.

(30) **Foreign Application Priority Data**

DESCRIPTION

Mar. 12, 2021 (JP) 2021-005065 D

(51) **LOC (15) Cl.** **23-01**

(52) **U.S. Cl.**
USPC **D23/209**

(58) **Field of Classification Search**
USPC D23/200, 206
CPC Y02W 10/10
See application file for complete search history.

FIG. 1 is a front, left, top perspective view of a water collecting header for filtering device, showing my new design;

FIG. 2 is a rear, right, bottom perspective view thereof;

FIG. 3 is a front elevational view thereof, the rear elevational view being a mirror image thereof;

FIG. 4 is a top plan view thereof;

FIG. 5 is a bottom plan view thereof;

FIG. 6 is a right side elevational view thereof;

FIG. 7 is a left side elevational view thereof;

FIG. 8 is an enlarged cross-sectional view taken along line 8-8 in FIG. 3; and,

FIG. 9 is an enlarged cross-sectional view taken along line 9-9 in FIG. 4 to line 9-9 in FIG. 3.

The dashed broken lines show portions of the water collecting header for filtering device that form no part of the claimed design. The dot-dash-dot broken lines define the bounds of the claimed design and form no part thereof.

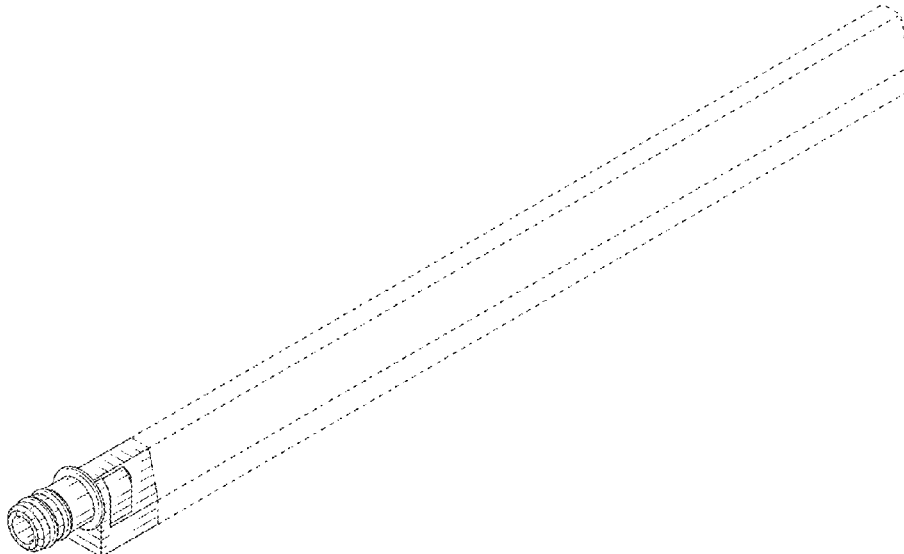
(56) **References Cited**

U.S. PATENT DOCUMENTS

D441,421 S *	5/2001	Aldred	D23/209
D600,775 S *	9/2009	Schmitt	D23/209
D753,789 S *	4/2016	Raab	D23/209
D753,790 S *	4/2016	Torgerud	D23/209
D772,379 S *	11/2016	Tadlock	D23/209
D773,014 S *	11/2016	Pale	D23/209
D815,247 S *	4/2018	Homer	D23/209
D825,029 S *	8/2018	Goldman	D23/209
D879,242 S *	3/2020	Trunner	D23/209
D890,296 S *	7/2020	Chandler	D24/176

(Continued)

1 Claim, 5 Drawing Sheets



(56)

References Cited

U.S. PATENT DOCUMENTS

D905,198	S	*	12/2020	Kemmer	D23/209
D921,833	S	*	6/2021	Probst	D23/209
D983,933	S	*	4/2023	Liao	D23/209
D992,753	S	*	7/2023	Zhu	D23/209
D1,001,236	S	*	10/2023	Machado	D23/209
D1,034,902	S	*	7/2024	Pellin	D23/213
D1,038,387	S	*	8/2024	Chen	D24/129
D1,039,138	S	*	8/2024	Chen	D24/129

FOREIGN PATENT DOCUMENTS

JP	1291367	S	1/2007
JP	1338019	S	8/2008

* cited by examiner

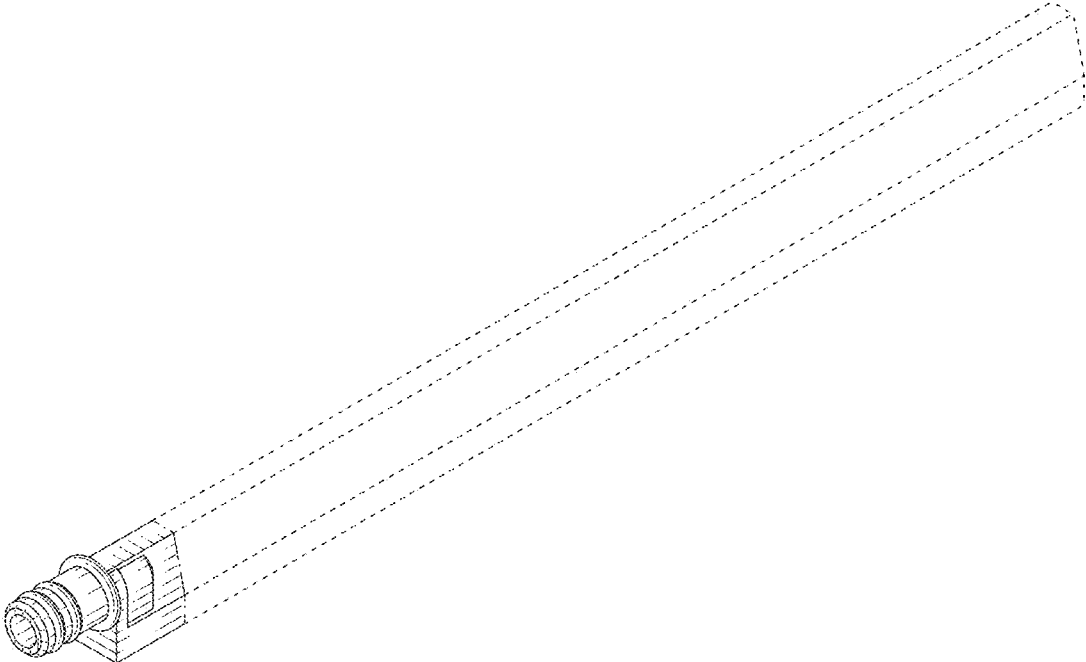


FIG. 1

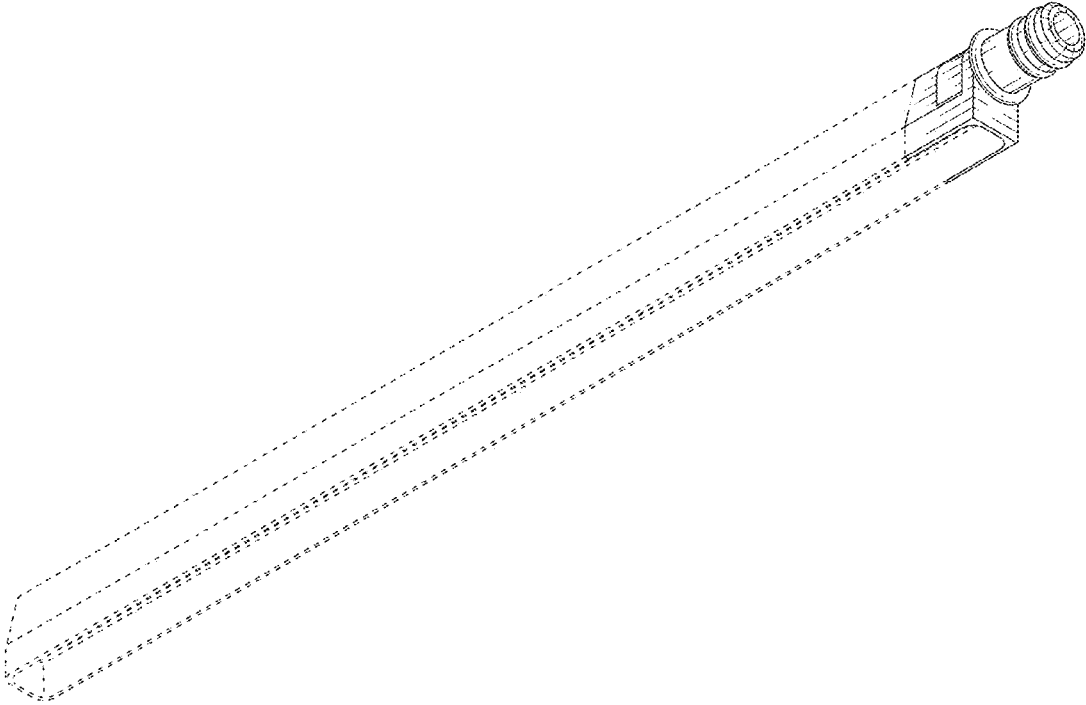
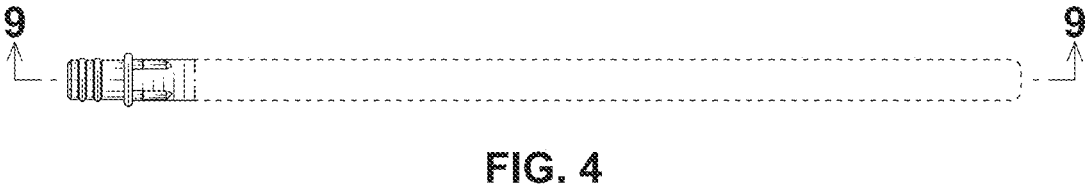
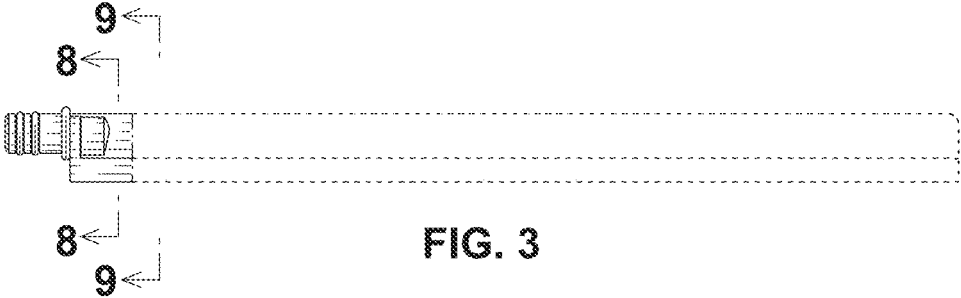


FIG. 2



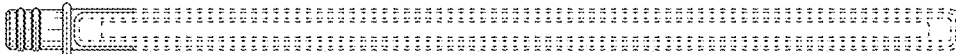


FIG. 5



FIG. 6



FIG. 7

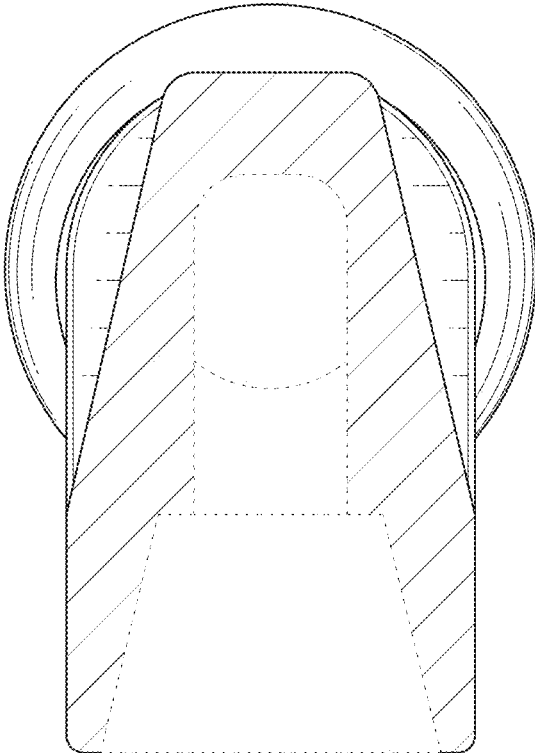


FIG. 8

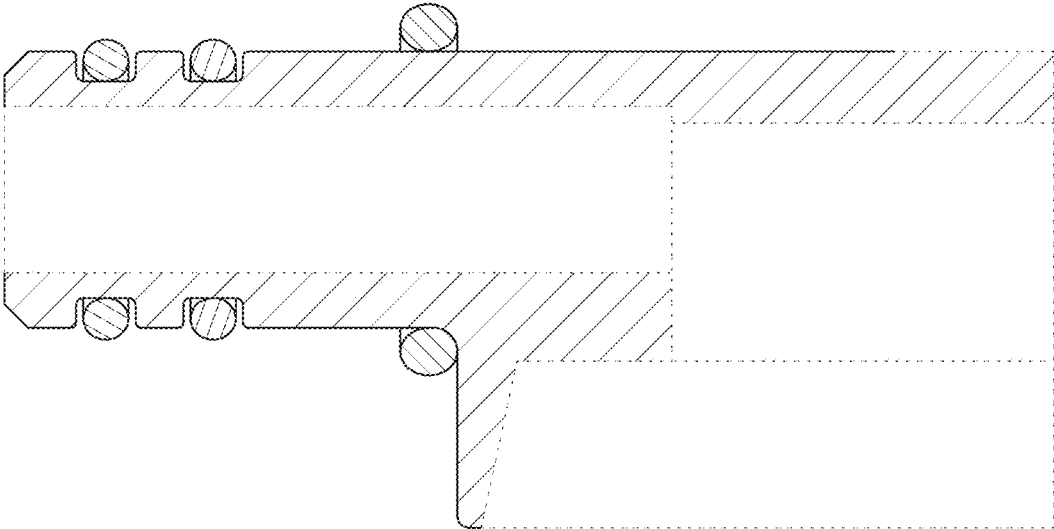


FIG. 9