



- (51) International Patent Classification:  
*G01N 27/00* (2006.01) *G01N 27/26* (2006.01)
- (21) International Application Number:  
PCT/US2012/020339
- (22) International Filing Date:  
5 January 2012 (05.01.2012)
- (25) Filing Language: English
- (26) Publication Language: English
- (30) Priority Data:  
61/430,384 6 January 2011 (06.01.2011) US
- (71) Applicant (for all designated States except US): **PEPEX BIOMEDICAL, INC.** [US/US]; 4041 Forest Park Avenue, St. Louis, MO 63108 (US).
- (72) Inventors; and
- (75) Inventors/Applicants (for US only): **SAY, James, L.** [US/US]; 83 Swan Drive, Breckenridge, CO 80424 (US). **POHL, Steve** [US/US]; 362 Monroe Street, Prescott, WI 54021 (US).
- (74) Agent: **BRUESS, Steven, C.**; Merchant & Gould P.C., P.O. Box 2903, Minneapolis, MN 55402-0903 (US).
- (81) Designated States (unless otherwise indicated, for every kind of national protection available): AE, AG, AL, AM, AO, AT, AU, AZ, BA, BB, BG, BH, BR, BW, BY, BZ,

CA, CH, CL, CN, CO, CR, CU, CZ, DE, DK, DM, DO, DZ, EC, EE, EG, ES, FI, GB, GD, GE, GH, GM, GT, HN, HR, HU, ID, IL, IN, IS, JP, KE, KG, KM, KN, KP, KR, KZ, LA, LC, LK, LR, LS, LT, LU, LY, MA, MD, ME, MG, MK, MN, MW, MX, MY, MZ, NA, NG, NI, NO, NZ, OM, PE, PG, PH, PL, PT, QA, RO, RS, RU, RW, SC, SD, SE, SG, SK, SL, SM, ST, SV, SY, TH, TJ, TM, TN, TR, TT, TZ, UA, UG, US, UZ, VC, VN, ZA, ZM, ZW.

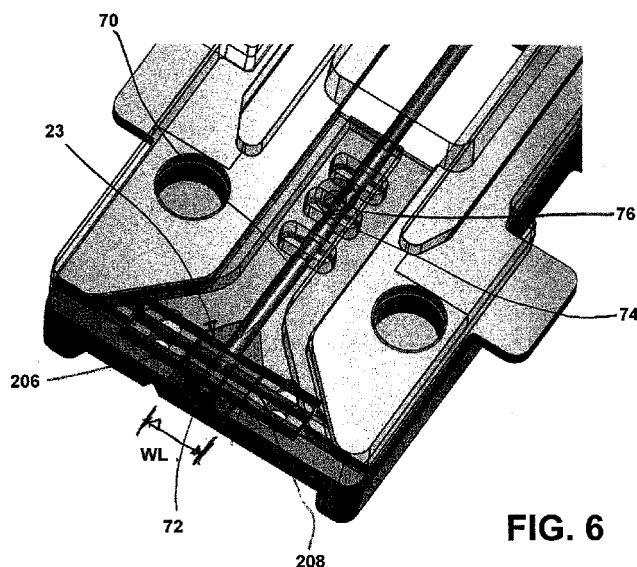
(84) Designated States (unless otherwise indicated, for every kind of regional protection available): ARIPO (BW, GH, GM, KE, LR, LS, MW, MZ, NA, RW, SD, SL, SZ, TZ, UG, ZM, ZW), Eurasian (AM, AZ, BY, KG, KZ, MD, RU, TJ, TM), European (AL, AT, BE, BG, CH, CY, CZ, DE, DK, EE, ES, FI, FR, GB, GR, HR, HU, IE, IS, IT, LT, LU, LV, MC, MK, MT, NL, NO, PL, PT, RO, RS, SE, SI, SK, SM, TR), OAPI (BF, BJ, CF, CG, CI, CM, GA, GN, GQ, GW, ML, MR, NE, SN, TD, TG).

**Published:**

- with international search report (Art. 21(3))
- before the expiration of the time limit for amending the claims and to be republished in the event of receipt of amendments (Rule 48.2(h))

(88) Date of publication of the international search report:  
1 November 2012

(54) Title: SENSOR MODULE WITH ENHANCED CAPILLARY FLOW



**FIG. 6**

(57) Abstract: A sensor module is disclosed herein. The sensor module includes a main housing defining an analysis zone within the housing. The sensor module also includes a skin piercing member mounted within the main housing. The skin piercing member is movable relative to the main housing between a retracted position and an extended position. The main housing of the sensor module defines a fluid sample flow passage that extends from a sampling end of the main housing to the analysis zone. The fluid sample flow passage includes a funnel structure through which the skin piercing member extends when in the extended position. The fluid sample flow passage also includes capillary flow enhancing slots that extend outwardly from opposite sides of the funnel structure.



## INTERNATIONAL SEARCH REPORT

International application No.  
**PCT/US2012/020339****A. CLASSIFICATION OF SUBJECT MATTER****G01N 27/00(2006.01)i, G01N 27/26(2006.01)i**

According to International Patent Classification (IPC) or to both national classification and IPC

**B. FIELDS SEARCHED**

Minimum documentation searched (classification system followed by classification symbols)

G01N 27/00; G01N 33/48; G01N 27/26; G01N 27/327; A61B 17/32

Documentation searched other than minimum documentation to the extent that such documents are included in the fields searched

Korean utility models and applications for utility models

Japanese utility models and applications for utility models

Electronic data base consulted during the international search (name of data base and, where practicable, search terms used)

eKOMPASS(KIPO internal) &amp; Keywords: capillary, skin, pierce, fluid, passage, electrode, axis.

**C. DOCUMENTS CONSIDERED TO BE RELEVANT**

Category*	Citation of document, with indication, where appropriate, of the relevant passages	Relevant to claim No.
A	WO 2010-056869 A2 (PEPEX BIOMEDICAL, LLC et al.) 20 May 2010 See abstract, paragraphs [0035]-[0045], claims 1-10 and figures 1-14.	1-14
A	US 6179979 B1 (HODGES; ALASTAIR MCINDOE et al.) 30 January 2001 See abstract, column 4, claim 1 and figures 1-15.	1-14
A	US 2001-0041904 A1 (ADAM HELLER et al.) 15 November 2001 See abstract, claims 1,7,9 and figures 1-7.	1-14
A	US 6893545 B2 (MASAO GOTOH et al.) 17 May 2005 See abstract, claims 1-7 and figures 1-15.	1-14

 Further documents are listed in the continuation of Box C. See patent family annex.

\* Special categories of cited documents:

"A" document defining the general state of the art which is not considered to be of particular relevance

"E" earlier application or patent but published on or after the international filing date

"L" document which may throw doubts on priority claim(s) or which is cited to establish the publication date of citation or other special reason (as specified)

"O" document referring to an oral disclosure, use, exhibition or other means

"P" document published prior to the international filing date but later than the priority date claimed

"T" later document published after the international filing date or priority date and not in conflict with the application but cited to understand the principle or theory underlying the invention

"X" document of particular relevance; the claimed invention cannot be considered novel or cannot be considered to involve an inventive step when the document is taken alone

"Y" document of particular relevance; the claimed invention cannot be considered to involve an inventive step when the document is combined with one or more other such documents, such combination being obvious to a person skilled in the art

"&amp;" document member of the same patent family

Date of the actual completion of the international search

24 AUGUST 2012 (24.08.2012)

Date of mailing of the international search report

**27 AUGUST 2012 (27.08.2012)**

Name and mailing address of the ISA/KR

Korean Intellectual Property Office  
189 Cheongsu-ro, Seo-gu, Daejeon Metropolitan  
City, 302-701, Republic of Korea

Facsimile No. 82-42-472-7140

Authorized officer

Noh Dae Hyun

Telephone No. 82-42-481-5637



## INTERNATIONAL SEARCH REPORT

Information on patent family members

International application No.

**PCT/US2012/020339**

Patent document cited in search report	Publication date	Patent family member(s)	Publication date
WO 2010-056869 A2	20.05.2010	AU 2009-314069 A1	20.05.2010
		CN 102362172 A	22.02.2012
		EP 2350629 A2	03.08.2011
		US 2011-266149 A1	03.11.2011
US 6179979 B1	30.01.2001	AT 242477 T	15.06.2003
		AT 508358 T	15.05.2011
		AU 2001-273197 B2	25.05.2006
		AU 2001-276888 B2	16.03.2006
		BR 9611513 A	14.09.1999
		BR 9611514 A	14.09.1999
		CA 2415342 A1	24.01.2002
		CA 2416207 A1	24.01.2002
		CN 1204400 A	06.01.1999
		CN 1441905 A	10.09.2003
		DE 69628588 D1	10.07.2003
		DE 69628948 D1	07.08.2003
		DK 882226 T3	23.06.2003
		DK 967480 T3	27.10.2003
		EP 1362922 B1	11.04.2012
		EP 1788391 B1	11.05.2011
		HK 1018096 A1	19.12.2003
		HK 1028914 A1	08.02.2005
		JP 2004-530099 A	30.09.2004
		JP 4326822 B2	09.09.2009
		KR 10-0741181 B1	19.07.2007
		KR 10-1002031 B1	21.12.2010
		RU 2202781 C2	20.04.2003
		RU 2243545 C2	27.12.2004
		TW 238890 B	01.09.2005
		TW 240071 B	21.09.2005
		US 2006-0134713 A1	22.06.2006
US 2006-0254932 A1	16.11.2006		
WO 97-18465 A1	22.05.1997		
WO 99-46585 A1	16.09.1999		
US 2001-0041904 A1	15.11.2001	US 6623501 B2	23.09.2003
US 6893545 B2	17.05.2005	JP 03-510461 B2	09.01.2004
		JP 10-233361 A	02.09.1998
		JP 11-094790 A	09.04.1999
		US 2011-0308970 A1	22.12.2011
		US 2012-0055812 A1	08.03.2012