



## INTERNATIONAL APPLICATION PUBLISHED UNDER THE PATENT COOPERATION TREATY (PCT)

<p>(51) International Patent Classification <sup>6</sup> : <b>A61F 2/06</b></p>	<p><b>A1</b></p>	<p>(11) International Publication Number: <b>WO 99/13801</b></p> <p>(43) International Publication Date: 25 March 1999 (25.03.99)</p>
<p>(21) International Application Number: PCT/US98/18366</p> <p>(22) International Filing Date: 4 September 1998 (04.09.98)</p> <p>(30) Priority Data: 08/931,552 16 September 1997 (16.09.97) US</p> <p>(71)(72) Applicants and Inventors: ZADNO-AZIZI, Ghulam-Reza [FR/US]; 8213 Del Monte Avenue, Newark, CA 94560 (US). FORD, John, S. [US/US]; 319 30th Street, Manhattan Beach, CA 90266 (US). MARANO-FORD, April [US/US]; 319 30th Street, Manhattan Beach, CA 90266 (US).</p> <p>(74) Agents: MCCONAGHY, John, D. et al.; Lyon &amp; Lyon LLP, Suite 4700, 633 West Fifth Street, Los Angeles, CA 90071-2066 (US).</p>		<p>(81) Designated States: JP, European patent (AT, BE, CH, CY, DE, DK, ES, FI, FR, GB, GR, IE, IT, LU, MC, NL, PT, SE).</p> <p><b>Published</b> <i>With international search report.</i> <i>With amended claims.</i></p>
<p>(54) Title: BODY FLUID FLOW CONTROL DEVICE</p>		
<p>(57) Abstract</p> <p>The present invention is a device to provide body fluid flow control in the form of a valve to be located within a duct or passageway. The device is controlled through pressure above a preselected threshold. Bulk resilience about a passageway (26) in a valve body (24) provides the mechanism for controlled flow. One-way valve operation may be provided through a flap or through a pressure differential on the valve body (24) depending upon the direction of flow. A frame structure (30) positioned within a resilient seal includes longitudinally elongate elements (34) which may be of spring material, malleable material or heat recoverable material so as to accomplish an initial insertion state, and an expanded anchoring state. A valve support (26) transitions between the resilient seal portion, and the valve body to insure that the states do not change the threshold opening pressure. Insertion devices may be employed to position, and actuate a change of state of the frame in the body duct or passageway.</p>		

**FOR THE PURPOSES OF INFORMATION ONLY**

Codes used to identify States party to the PCT on the front pages of pamphlets publishing international applications under the PCT.

AL	Albania	ES	Spain	LS	Lesotho	SI	Slovenia
AM	Armenia	FI	Finland	LT	Lithuania	SK	Slovakia
AT	Austria	FR	France	LU	Luxembourg	SN	Senegal
AU	Australia	GA	Gabon	LV	Latvia	SZ	Swaziland
AZ	Azerbaijan	GB	United Kingdom	MC	Monaco	TD	Chad
BA	Bosnia and Herzegovina	GE	Georgia	MD	Republic of Moldova	TG	Togo
BB	Barbados	GH	Ghana	MG	Madagascar	TJ	Tajikistan
BE	Belgium	GN	Guinea	MK	The former Yugoslav Republic of Macedonia	TM	Turkmenistan
BF	Burkina Faso	GR	Greece	ML	Mali	TR	Turkey
BG	Bulgaria	HU	Hungary	MN	Mongolia	TT	Trinidad and Tobago
BJ	Benin	IE	Ireland	MR	Mauritania	UA	Ukraine
BR	Brazil	IL	Israel	MW	Malawi	UG	Uganda
BY	Belarus	IS	Iceland	MX	Mexico	US	United States of America
CA	Canada	IT	Italy	NE	Niger	UZ	Uzbekistan
CF	Central African Republic	JP	Japan	NL	Netherlands	VN	Viet Nam
CG	Congo	KE	Kenya	NO	Norway	YU	Yugoslavia
CH	Switzerland	KG	Kyrgyzstan	NZ	New Zealand	ZW	Zimbabwe
CI	Côte d'Ivoire	KP	Democratic People's Republic of Korea	PL	Poland		
CM	Cameroon	KR	Republic of Korea	PT	Portugal		
CN	China	KZ	Kazakstan	RO	Romania		
CU	Cuba	LC	Saint Lucia	RU	Russian Federation		
CZ	Czech Republic	LI	Liechtenstein	SD	Sudan		
DE	Germany	LK	Sri Lanka	SE	Sweden		
DK	Denmark	LR	Liberia	SG	Singapore		
EE	Estonia						

## DESCRIPTION

BODY FLUID FLOW CONTROL DEVICE

5

## BACKGROUND OF THE INVENTION

The field of the present invention is valve mechanisms for use in the human body.

Valves play an important role in a number of bodily functions. One such  
10 physiologic valve is in the urinary tract. Valve failure in this system leads to urinary  
incontinence, a significant health issue. Urinary incontinence is estimated to affect some  
ten million Americans. The full extent of this problem is unknown because less than half  
of affected adults are believed to actually seek medical attention.

Devices are available to assist in the control of urinary incontinence. Such  
15 devices include external valves, valves extending throughout the lower urinary tract and  
into the bladder, devices extending through long portions of the urethra and implanted  
protheses as well as injected bulking agents which support the urethral sphincter to  
enhance operation. Such devices are often inconvenient, uncomfortable and/or require  
surgical insertion. Other devices are considered overly intrusive.

20 Native valves are also found in cardiovascular systems. In veins, native venous  
valves promote one-way flow toward the heart from the periphery. Diseases exist such as  
venous thrombosis and thrombophlebitis which can render native venous valves  
incompetent, resulting in edema. Replacement of these artificial valves with artificial ones  
could provide substantial health benefits.

25 The pulmonic valve associated with the heart is yet another native flow control  
mechanism which can exhibit incompetence either congenitally, through disease or  
iatrogenically due to treatment of pulmonary stenosis. A one-way valve positioned distal  
to the native pulmonic valve within the pulmonary artery could be of substantial benefit in  
overcoming this problem.

30

## SUMMARY OF THE INVENTION

The present invention is directed to a body fluid flow control device which  
includes an ability to seal about the device in the fluid passageway, a placement and

retention format for the device and a valve body capable of either or both a pressure threshold for operation and a one-way flow restriction. The valve body preferably employees bulk resilience and a passage therethrough which is closed by that bulk resilience. This may be defined by an elastomeric or other polymeric body with a passage  
5 therethrough cut without the removal of material. A single slit, a cross or a star shaped cut are included among the possibilities. One-way flow may be accomplished through a flap or other inhibitor physically impeding flow in one direction or by a configuration of the valve to employ passage pressure to prevent opening.

In a separate aspect of the present invention, such devices as contemplated above  
10 are combined with mechanisms to assist in transforming the state of the device from insertion to anchoring.

Accordingly, it is a principal object of the present invention to provide a flow control device for the human body such as for urinary, venous or pulmonic placement. Other and further objects and advantages may appear hereinafter.

15

#### BRIEF DESCRIPTION OF THE DRAWINGS

Figure 1 is a perspective view of a first flow control device.

Figure 2 is a cross-sectional side view of the device of Figure 1.

Figure 3 is a cross-sectional side view of a second flow control device.

20 Figure 4 is an end view of a third fluid flow control device.

Figure 5 is a cross-sectional view taken along line 5-5 of Figure 4.

Figure 6 is an end view of yet another fluid flow control device.

Figure 7 is a cross-sectional view taken along line 7-7 of Figure 6.

Figure 8 is a cross-sectional view of yet another fluid flow control device.

25 Figure 9 is a cross-sectional view of yet another fluid flow control device.

Figure 10 is a cross-sectional view of yet another fluid flow control device.

Figure 11 is a cross-sectional view of the device of Figure 10 with a balloon expander positioned within the device.

30 Figure 12 is a cross-sectional side view of an insertion tool with a fluid flow control device in place.

Figure 13 is a prospective view of another frame.

Figure 14 is a prospective view of yet another frame.

## DETAILED DESCRIPTION OF THE PREFERRED EMBODIMENTS

Figures 1 and 2 illustrate a first fluid flow control device capable of one-way flow, the sealing of a body passageway and pressure actuation. The device includes a resilient seal **20** which, in this first embodiment, includes a cylindrical elastomeric or, more generically, polymeric material capable of sealing within the interior of a body duct or passageway. This resilient seal is shown in this embodiment to be cylindrical but may be tapered through a portion thereof. In either instance, the seal has a substantially circular cross section to fit within the body duct or passageway.

To one end of the seal **20**, a valve support **22** extends inwardly from an attachment to the valve body. This valve support **22** preferably provides a barrier to flow through the resilient seal. The support **22** is conveniently formed as one piece with the seal **20**.

A valve body **24** is attached to the valve support **22** about the outer periphery of the body **24**. The valve body **24** is also of polymeric material and may be most conveniently formed as one piece with the seal **20** and the valve support **22**. The body **24** is shown in this first embodiment to define a passage **26** which is shown to be a single slit. The slit **26** extends longitudinally through the valve body. The body of the valve being polymeric and resilient is able to provide bulk resilience to maintain its natural state. As the slit **26** is preferably manufactured without removal of material from the valve body **24**, the resilience of the body closes the slit **26** so that no flow can occur. Through empirical testing, an appropriate size of the slit **26** and overall body size and shape of the valve body **24** will define a threshold pressure which may be applied to one side of the valve to cause the slit **26** to open. For purposes of urinary tract control, this opening pressure should be in the range of about 0.2 psi to 3.0 psi. For intervascular placement, the threshold should be from about 0.005 psi to 1.0 psi.

The valve body **24** acts in this embodiment as a one-way valve because of the substantially parallel sides to either side of the slit **26**. In the event that flow builds up on the side of the valve with the extending substantially parallel sides **28**, the pressure will not only build up at the slit **26**, it will also build up on the parallel sides **28** as well. The pressure on the sides will prevent the slit from opening.

A frame, generally designated **30**, is located within the peripheral resilient seal **20**. This frame **30** is contemplated to be a metallic member having an expanded metal cylinder **32** defined by longitudinally extending elements **34**. In this instance, the

longitudinally extending elements 34 are interconnected as one construction so as to form the expanded metal cylinder.

The resilient seal forming the peripheral element about the frame 30 to define a seal with the duct or passageway in which the device is placed may be affixed to the frame 30 by any number of conventional means. For example, the frame 30 may be bonded to the resilient seal 20. The resilient seal 20 may be formed through injection molding, blow molding, insertion molding or the like with the frame in place within the mold such that the frame 30 becomes embedded within the seal 20. There may be a physical interlocking through the use of an inwardly extending flange on the open end of the resilient seal 20 to physically retain the frame 30.

The frame 30, being of expanded metal, is capable of being easily stretched to expand from a stable first state to a stable expanded state. The first state, referred to as the insertion state, is contemplated with the overall diameter of the frame 30 and the surrounding resilient seal 20 exhibiting a first diameter. With the frame 30 expanded to what may be termed an anchor state, the resilient seal 20 also expands. In the expanded state, the overall device is intended to fit with interference in the duct or passage. Before expansion, easy insertion is contemplated with clearance.

The construction of this first embodiment provides for the valve support 22 to extend longitudinally in a cylindrical element 36 from an inwardly extending disk element 38. A further inwardly extending disk element 40 extends to the valve body 24. The employment of the cylindrical element 36 between these disk elements 38 and 40 is intended to isolate the valve body 24 from the displacement of the resilient seal 20 as the frame is expanded from an insertion state to an anchor state. Distortion of the valve which may result in a change in the threshold pressure to open the valve may be avoided.

Looking to Figure 3, a similar view to that of Figure 2 illustrates a second embodiment. This embodiment differs from the prior embodiment in the redirection of the valve body 24 at the disk 40. With that redirection, the valve body 24 is positioned to face in the opposite direction. In this way, the one-way feature operates to provide flow in the opposite direction relative to the frame 30 and resilient seal 20.

Turning to Figures 4 and 5, another embodiment is illustrated. Identical reference numbers are applied to those of the first embodiment to similar structures and functional elements. Presenting a more quantitative description, the wall thickness of the elastomeric polymer defining the resilient seal 20, valve support 22 and valve body 24 is contemplated

to be between approximately .005" and .050". The width of the slit is approximately .024" while the outside diameter of the resilient seal **20** is approximately .349". The length of this element is contemplated to be approximately .60". The frame is cylindrical with an OD in the insertion state of approximately .329", a length of approximately .304" and a thickness of approximately .005" to .015". This member is preferably of stainless steel or nitinol. The metallic member in this and each other embodiment is contemplated to be substantially nonreactive with body fluids and the body itself or coated with such a nonreactive material. Other dimensions can also be manufactured depending on the size of the placement.

Turning to the embodiment of Figures 6 and 7, substantially the same device is illustrated as in the prior embodiment. Again, the correspondence of reference numerals reflect similar structures and functional features. This device has an added flap **42** overlying the passage **26**. The flap **42** is attached by adhesive, bonding or other conventional procedure. The passage **26** may again be a slit as previously described so as to provide a threshold pressure level before opening. If a passageway is presented instead, the device will simply act as a one-way valve.

Turning to Figure 8, a different overall exterior configuration is presented as well as a different frame. A polymeric resilient seal **44** is shown to extend over a frame, generally designated **46**. The frame **46** includes longitudinally extending elements **48**. The elements **48** extend from a conically shaped portion **50** of the frame **46**. This conically shaped portion **50** is truncated to provide a wide passageway **52** for operation of the valving mechanism. The resilient seal **44** forms a skirt which extends inwardly to a valve support **54** which is located about the truncated conical portion **50**. The valve support **54** and the resilient seal **44** are preferably of the same piece of material. A valve body **56** extends across the passageway **52** in an appropriate thickness to provide the appropriate bulk resilience to accommodate a threshold opening pressure. A passage **58**, shown here to be a slit extends through the valve body **56**.

Turning to Figure 9, a device similar to that of Figure 8 is disclosed. Common reference numerals indicate similar elements and functional features. The resilient seal **44** extends over the longitudinally extending elements as a skirt with the ends of the elements **48** extending outwardly therefrom. A truncated somewhat conical portion **50** actually forming a dome shape extends to a passageway **52**. The valve support **54** covers this portion **50**. A truncated cone shaped element **60** forms a further part of the valve. It may

be part of the same piece of material as the resilient seal 44 and valve support 54. A valve body 62 is shown to be a cylindrical element with slits 50 in the form of a cross or star extending longitudinally therethrough.

5 The length of the valve body 62 establishes that the passage 64 will operate only in expansion and not through bending of the components. Thus, a substantially greater threshold level of pressure is anticipated for this configuration.

Figure 10 illustrates yet another fluid flow control device. This device includes a resilient seal 66 in the form of a cuff extending about one end of the periphery of the device. The frame 68 is generally on the outside of the valve with longitudinally  
10 extending elements 70 extending into the cuff 66. The valve support 72 extends within the frame 68 to a valve body 74 which forms a disk element with a slit 78 therethrough. The frame 68 includes a section in the form of a solid disk 80 with a passageway 82 therethrough. The passageway 82 is substantially larger than the slit 78 in order that it not interfere with the operation thereof. The solid disk 80 also acts to tie together the  
15 longitudinally extending element 70 extending out to the cuff 66.

A variety of slits or other mechanisms may be employed to achieve flow through a passage above a preestablished threshold pressure. With thin membranes, a slit or multiple crossed slits can employ a bending component to achieve flow. The bulk resilience is employed more in bending than in radial compression away from the cut or  
20 cuts. With longer passageways, radial compression outwardly from the passage provides the controlling mechanism. The thickness of the resilient seal as measured laterally of the slit can be of importance in one-way flow operation. With a thin lateral wall thickness, the pressure surrounding the valve can prevent its opening. Thus, flow would only occur from the side of the valve where pressure cannot accumulate and prevent its opening. The  
25 frame is to be capable of two states, an insertion state and an anchoring state. The anchoring state is larger than the insertion state by the laterally extending resilient elements being outwardly of the insertion position of these elements when they are in the anchor state.

To achieve these two states, a number of mechanisms may be employed. First, a  
30 malleable material can be used. Because the passageways and ducts within the body are quite resilient, large changes in diameter are not required. Consequently, almost any metal is capable of sufficient malleability, particularly if it is employed in an expanded metal state, for example. Reference is made to the embodiment of Figures 1 and 2. The choice



of metals can become more dependent upon satisfying environmental needs within the body.

Another mechanism which may be employed to accommodate this two-state requirement is spring resilience. The insertion state can be achieved through a  
5 preconstraint of the longitudinally extending elements within the elastic range of these elements. Once positioned, the elements can be released to expand into an anchoring state. Constraining tubes or pull wires may achieve the initial insertion state.

Another mechanism which may be used to accomplish both the insertion and the anchor states of the frame is the heat recovery of materials available with alloys such as  
10 certain nickel titanium alloys. Preferably the transition temperature of such devices is below body temperature. Under these circumstances, a cool device can be positioned and allowed to attain ambient temperature. The unrecovered state of the frame would be in the insertion position with the longitudinally extending elements in a radially contracted position. Upon recovery, the frame would expand. Another use of this material may be  
15 through a heating of the device above body temperature with a recovery temperature zone above that of normal body temperature but below a temperature which may cause burning. The device might be heated electrically or through the modulation of a field.

To accomplish a transition from the insertion state to the anchoring state, a variety of devices may be employed. An elongate expander is illustrated in Figure 11. A  
20 balloon **84** is presented at the end of an elongate passage **86** through which pressure may be transmitted. The fluid flow control device can be inserted on the mechanism making up the passage **86** and balloon **84**. When in position, the balloon **84** is expanded through the application of pressure to the accessible end of the passage **86**. The malleable longitudinally extending elements are bent beyond their yield point into an interfering  
25 engagement with the wall of the passageway in the body.

Another mechanism for providing an elongate expander and insertion tool is illustrated in Figure 12. The device includes an outer sheath **88** into which is positioned a fluid flow control device which has longitudinally extending elements that are of spring material. The elements are bent such that the frame is radially constricted. The size of the  
30 sheath inner diameter is such that the spring elements are not bent to the point that they exceed the elastic limit. A ram **90** extends into the sheath **88** to force the fluid flow control device from the end of the sheath. As the device is released from the sheath **88**, it will naturally expand to the anchored state. This same mechanism may be employed with any

of the devices for placement regardless of whether the mechanism for expansion is deformation, heat recovery or resilience. Naturally, the ram 90 can accommodate a heating element or balloon mechanism depending upon the appropriate need.

Finally, Figures 13 and 14 illustrate two additional forms of the frame which may  
5 be employed in place of one of the other frames disclosed. The frame may form a complete cylinder or a rolled sheet 92 as in Figure 13. A frame which is another alternative is seen in Figure 14. A longitudinally extending element 94 is formed into a coil. These devices may be of heat recoverable material so as to form an insertion state and an anchor state or be of spring material constrained to a reduced diameter for insertion.

10 Considering the use of these devices, the thresholds are selected with the appropriate pressures in mind. With incontinence, the threshold pressure is high enough to prevent leakage as normal pressure builds in the bladder. When the bladder is to be voided, abdominal pressure is used. The threshold pressure is also low enough that the abdominal pressure will overcome the resistance and allow flow. Where placement is in  
15 the cardiovascular system, minimum resistance to flow in one direction may be designed into the valve. In this application, however, substantial resistance to flow is designed into the valve to eliminate flow in one direction for all pressures contemplated.

Accordingly, a number of improved devices for providing body fluid flow control are disclosed. While embodiments and applications of this invention have been shown and  
20 described, it would be apparent to those skilled in the art that many more modifications are possible without departing from the inventive concepts herein. The invention, therefore is not to be restricted except in the spirit of the appended claims.

What is claimed is:

1. A body fluid flow control device comprising  
a resilient seal of substantially annular configuration;  
a frame extending within at least a portion of the resilient seal and including a  
5 passageway extending longitudinally through the frame and at least one longitudinally  
extending element having an insertion state and an anchoring state, the anchoring state  
being with the at least one longitudinally extending element outwardly of the insertion  
state, thereby expanding the portion of the resilient seal within which the frame extends,  
the passageway being inwardly of the at least one longitudinally extending element;  
10 a valve body having bulk resilience and a passage therethrough resiliently biased  
closed by the bulk resilience and communicating with the passageway;  
a valve support about the valve body and attached to the valve body and to the  
resilient seal, the passage being in communication with the passageway extending  
longitudinally through the frame.
- 15 2. The body fluid flow control device of claim 1, the resilient seal further  
including a skirt extending at least partially over the at least one longitudinally extending  
element to form a peripheral seal.
3. The body fluid flow control device of claim 1, the resilient seal further  
including a skirt extending within the at least one longitudinally extending element and  
20 having a cuff over one end of each of the at least one longitudinally extending element to  
form a peripheral seal.
4. The body fluid flow control device of claim 1, the resilient seal further  
including a skirt extending fully over the frame.
5. The body fluid flow control device of claim 1, the passage having a  
25 predetermined fluid opening pressure.
6. The body fluid flow control device of claim 5, the fluid opening pressure  
being about 0.2 psi to 3.0 psi for urinary incontinence.
7. The body fluid flow control device of claim 5, the fluid opening pressure  
being about 0.005 psi to 1.0 psi for intervascular placement.
- 30 8. The body fluid flow control device of claim 1, the passage being a single  
slit.
9. The body fluid flow control device of claim 8, the valve body having two  
substantially flat sides parallel to the slit which is located therebetween to effect a one-way

valve.

10. The body fluid flow control device of claim 9, the resilient seal, the valve body and the valve support being one piece.

5 11. The body fluid flow control device of claim 9, the valve body extending into the passageway extending longitudinally through the frame.

12. The body fluid flow control device of claim 1, the resilient seal, the valve body and the valve support being one piece.

13. The body fluid flow control device of claim 1, the valve support having a portion extending from the valve portion, the valve body being substantially a disk.

10 14. The body fluid flow control device of claim 1, the valve body being a disk, the at least one longitudinally extending element forming an expanded metal cylinder.

15 15. The body fluid flow control device of claim 1 further comprising an elongate expander, the at least one longitudinally extending element defining a concavity receiving at least a portion of the elongate expander.

16. The body fluid flow control device of claim 15, the elongate expander including a balloon at a distal end thereof with a passage extending substantially the length of the elongate expander.

20 17. The body fluid flow control device of claim 15, the elongate expander including an outer sheath into which the resilient seal and the frame are positionable in the insertion state and a ram extending within the sheath to engage the frame in the passageway extending longitudinally through the frame.

25 18. The body fluid flow control device of claim 1, the at least one longitudinally extending element being heat recoverable with a transition temperature range below a reasonable range of human body temperatures.

19. The body fluid flow control device of claim 1, the at least one longitudinally extending element being spring biased toward the anchoring state and being held in the insertion state by a release wire separable from the frame.

30 20. The body fluid flow control device of claim 1 further comprising a flap attached to the valve body adjacent the passage and extending over the passage to restrict flow to one direction through the passage.

**AMENDED CLAIMS**

[received by the International Bureau on 13 November 1998 (13.11.98);  
original claims 16 and 17 amended; remaining claims unchanged (1 page)]  
valve.

10. The body fluid flow control device of claim 9, the resilient seal, the valve body and the valve support being one piece.

11. The body fluid flow control device of claim 9, the valve body extending  
5 into the passageway extending longitudinally through the frame.

12. The body fluid flow control device of claim 1, the resilient seal, the valve body and the valve support being one piece.

13. The body fluid flow control device of claim 1, the valve support having a portion extending from the valve portion, the valve body being substantially a disk.

10 14. The body fluid flow control device of claim 1, the valve body being a disk, the at least one longitudinally extending element forming an expanded metal cylinder.

15 15. The body fluid flow control device of claim 1 further comprising an elongate expander, the at least one longitudinally extending element defining a concavity receiving at least a portion of the elongate expander.

16. The body fluid flow control device of claim 15, the elongate expander means including a balloon at a distal end thereof with a passage extending substantially the length of the elongate expander means.

20 17. The body fluid flow control device of claim 15, the elongate expander means including an outer sheath into which the resilient seal and the frame are positionable in the insertion state and a ram extending within the sheath to engage the frame in the passageway extending longitudinally through the frame.

25 18. The body fluid flow control device of claim 1, the at least one longitudinally extending element being heat recoverable with a transition temperature range below a reasonable range of human body temperatures.

19. The body fluid flow control device of claim 1, the at least one longitudinally extending element being spring biased toward the anchoring state and being held in the insertion state by a release wire separable from the frame.

30 20. The body fluid flow control device of claim 1 further comprising a flap attached to the valve body adjacent the passage and extending over the passage to restrict flow to one direction through the passage.

**AMENDED SHEET (ARTICLE 19)**

01/06

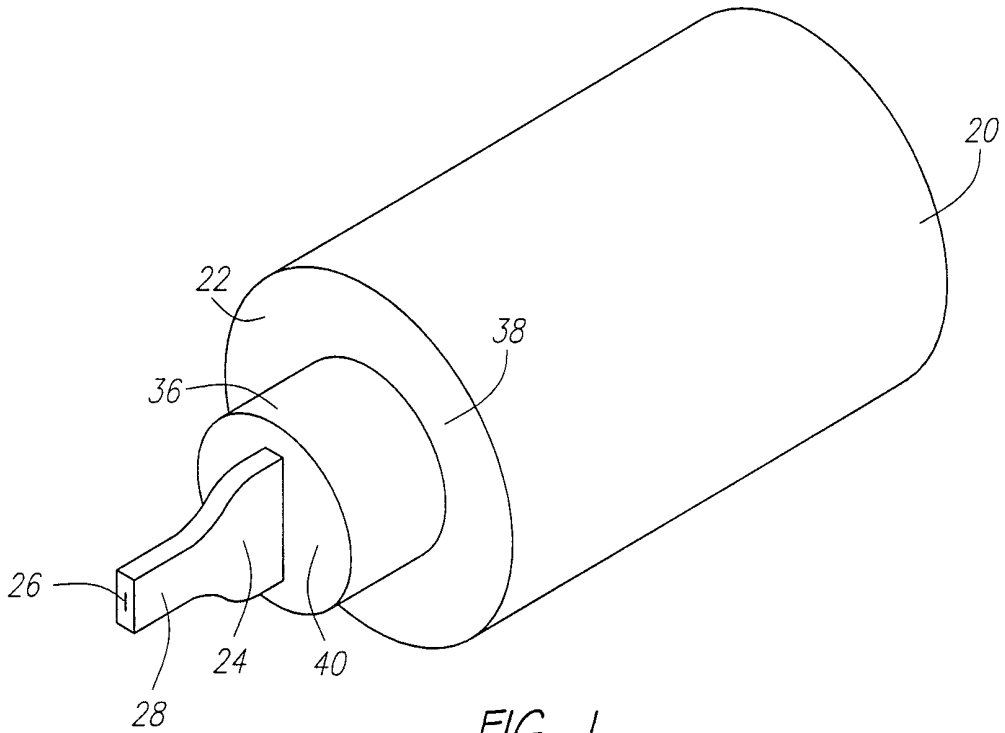


FIG. 1

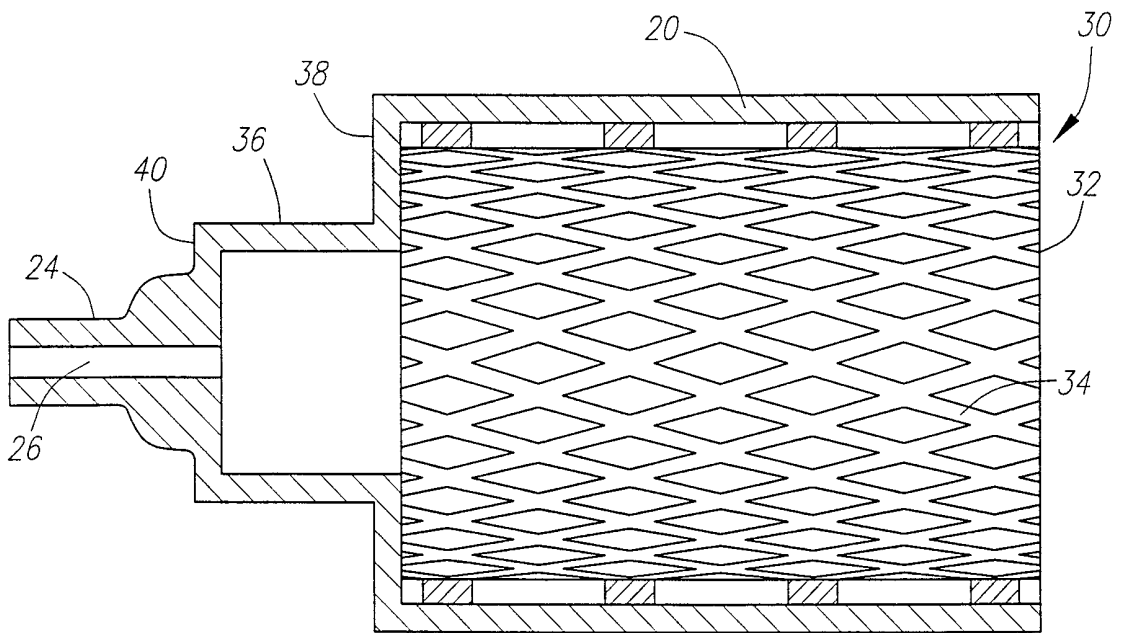


FIG. 2

02/06

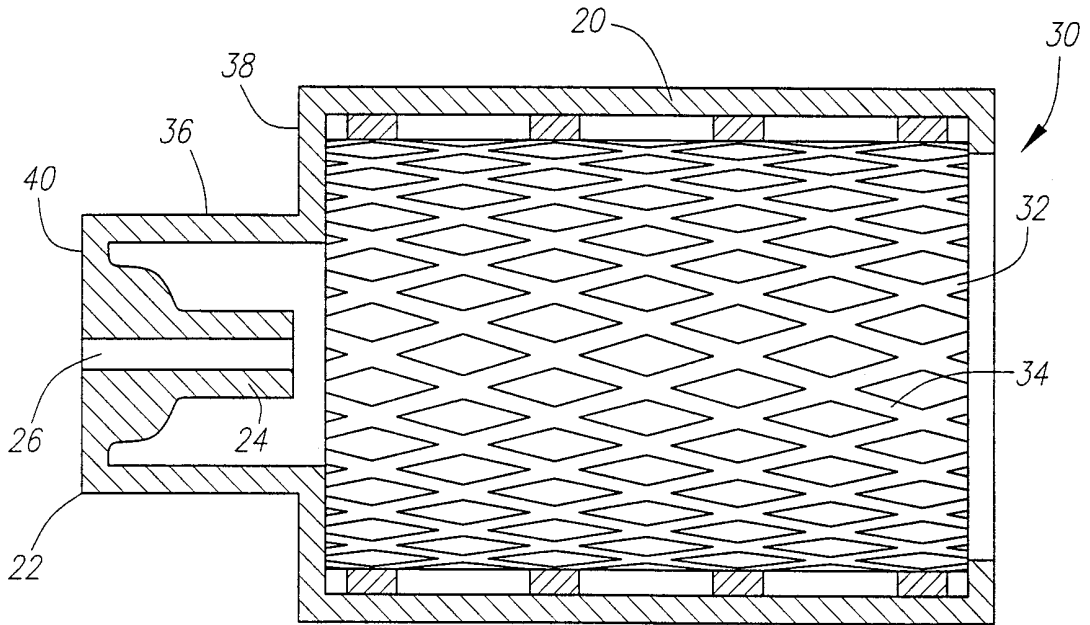


FIG. 3

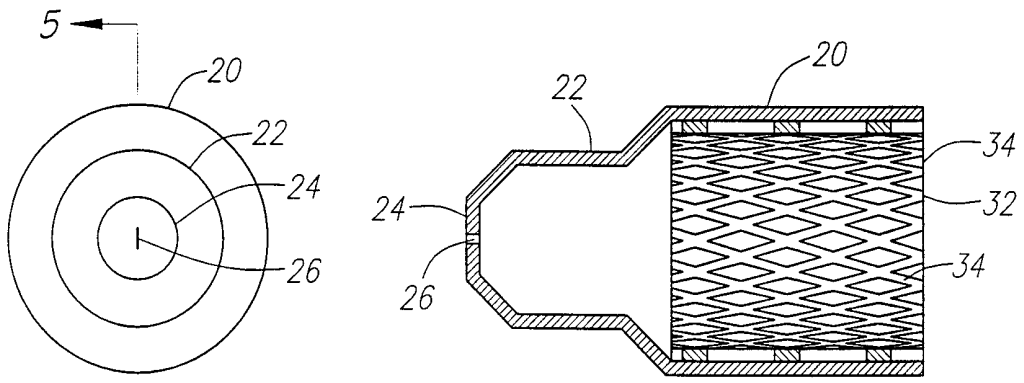


FIG. 4

FIG. 5

03/06

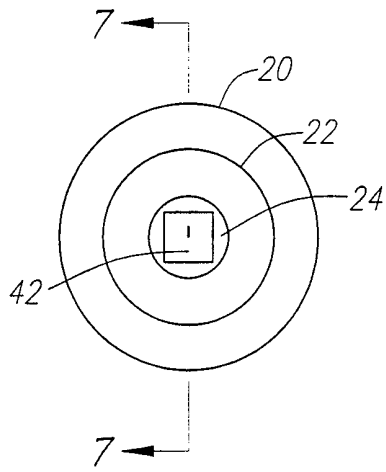


FIG. 6

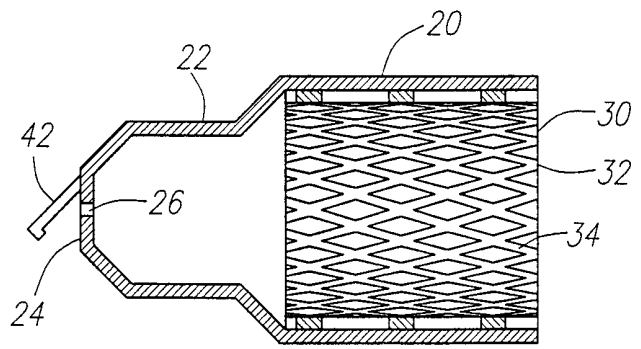


FIG. 7



04/06

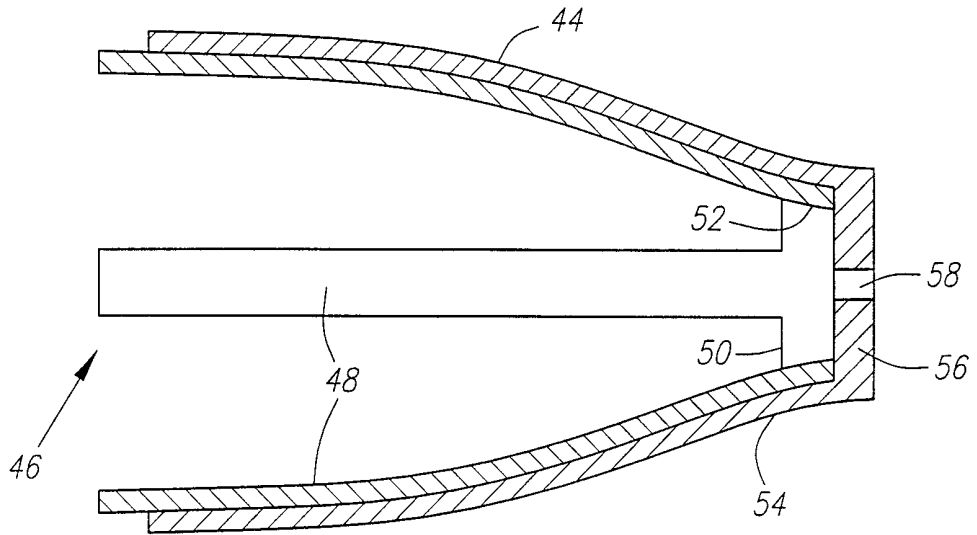


FIG. 8

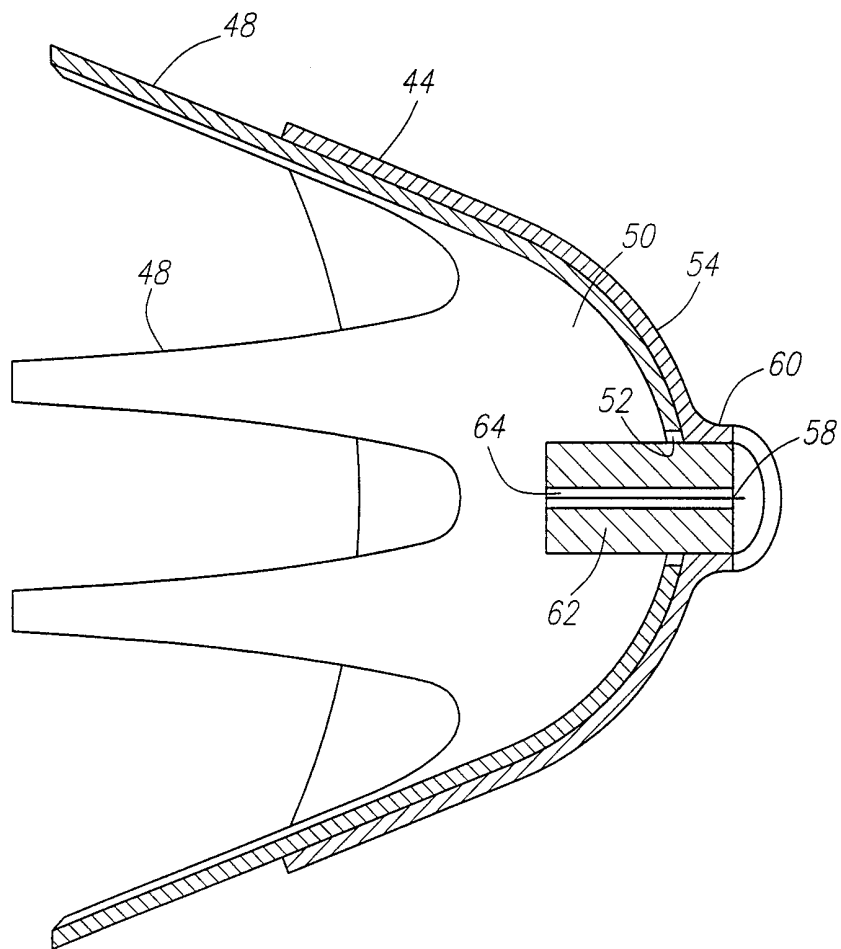


FIG. 9

05/06

FIG. 10

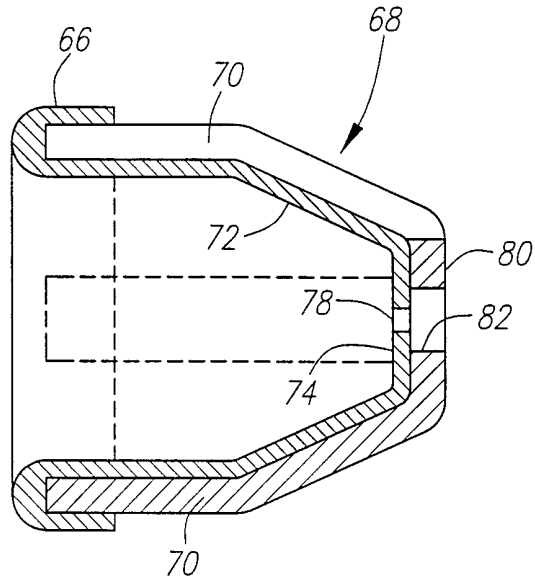


FIG. 11

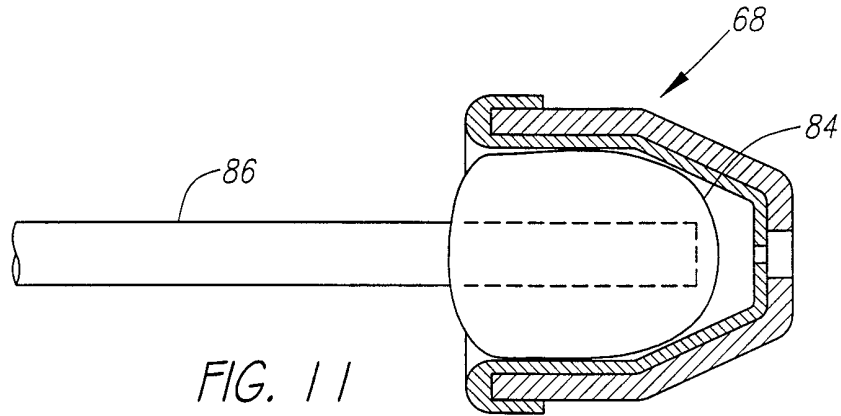
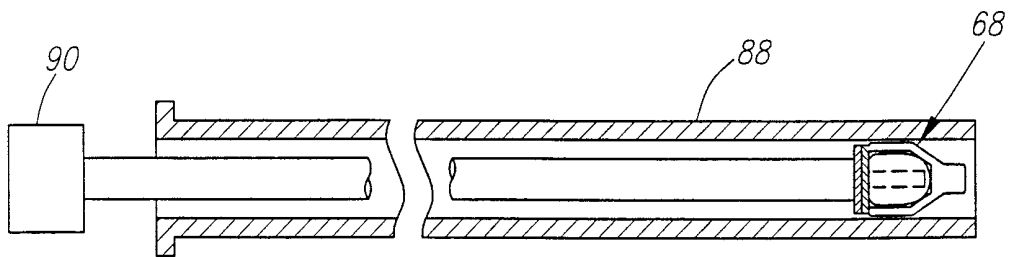


FIG. 12



06/06

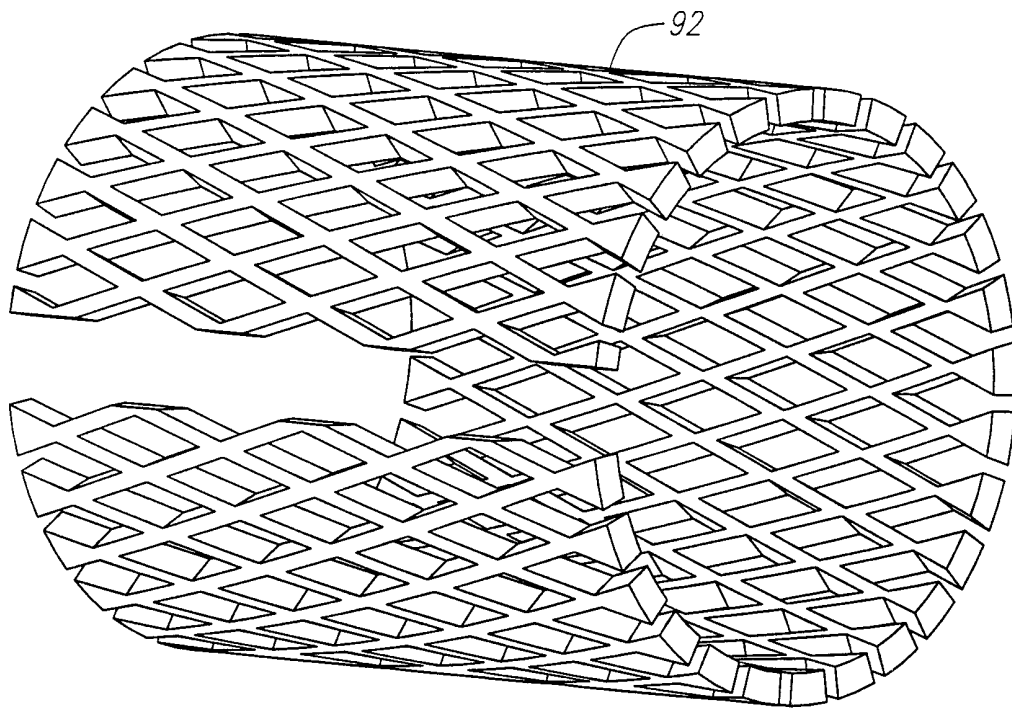


FIG. 13

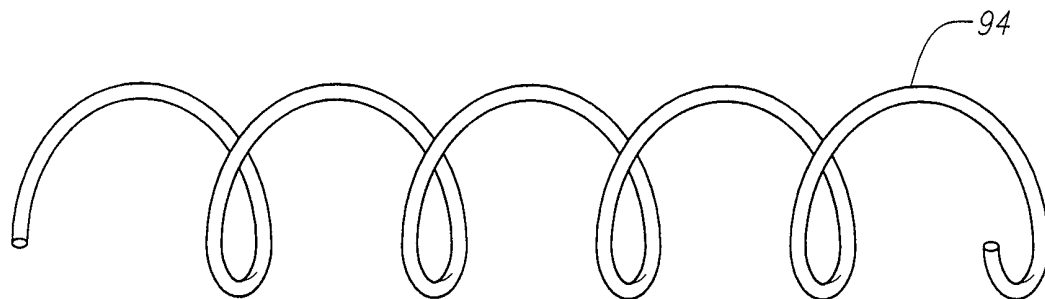
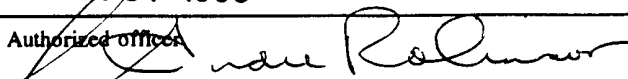


FIG. 14

INTERNATIONAL SEARCH REPORT

International application No.  
PCT/US98/18366

<b>A. CLASSIFICATION OF SUBJECT MATTER</b>		
IPC(6) :A61F 2/06 US CL :623/1 According to International Patent Classification (IPC) or to both national classification and IPC		
<b>B. FIELDS SEARCHED</b>		
Minimum documentation searched (classification system followed by classification symbols) U.S. : 623/1, 11, 12, 900		
Documentation searched other than minimum documentation to the extent that such documents are included in the fields searched		
Electronic data base consulted during the international search (name of data base and, where practicable, search terms used)		
<b>C. DOCUMENTS CONSIDERED TO BE RELEVANT</b>		
Category*	Citation of document, with indication, where appropriate, of the relevant passages	Relevant to claim No.
X, P	US 5,755,700 A (RAVENSCROFT) 26 May 1998, entire document.	1-8, 10-12, 18, 19
X	US 4,086,665 A (POIRIER) 02 May 1978, entire document.	1, 20
<input type="checkbox"/> Further documents are listed in the continuation of Box C. <input type="checkbox"/> See patent family annex.		
* *A* *E* *L* *O* *P*	Special categories of cited documents: document defining the general state of the art which is not considered to be of particular relevance earlier document published on or after the international filing date document which may throw doubts on priority claim(s) or which is cited to establish the publication date of another citation or other special reason (as specified) document referring to an oral disclosure, use, exhibition or other means document published prior to the international filing date but later than the priority date claimed	*T* *X* *Y* *A* later document published after the international filing date or priority date and not in conflict with the application but cited to understand the principle or theory underlying the invention document of particular relevance; the claimed invention cannot be considered novel or cannot be considered to involve an inventive step when the document is taken alone document of particular relevance; the claimed invention cannot be considered to involve an inventive step when the document is combined with one or more other such documents, such combination being obvious to a person skilled in the art document member of the same patent family
Date of the actual completion of the international search 08 OCTOBER 1998		Date of mailing of the international search report 23 OCT 1998
Name and mailing address of the ISA/US Commissioner of Patents and Trademarks Box PCT Washington, D.C. 20231 Facsimile No. (703) 305-3230		Authorized officer  DINH XUAN NGUYEN Telephone No. (703) 308-3522