



US00D572575S

(12) **United States Design Patent**  
**Zhang**

(10) **Patent No.:** **US D572,575 S**

(45) **Date of Patent:** **\*\* Jul. 8, 2008**

(54) **HANDRAIL BRACKET**

6,672,552 B1 \* 1/2004 Jao ..... 248/251

(75) Inventor: **Zhukai Zhang**, Chicago, IL (US)

\* cited by examiner

(73) Assignee: **Liberty Hardware Mfg. Corp.**,  
Winston-Salem, NC (US)

*Primary Examiner*—Holly H Baynham  
(74) *Attorney, Agent, or Firm*—Edgar A. Zarins; Lloyd D. Doigan

(\*\*) Term: **14 Years**

(57) **CLAIM**

(21) Appl. No.: **29/286,536**

The ornamental design for a handrail bracket, as shown and described.

(22) Filed: **May 10, 2007**

(51) **LOC (8) Cl.** ..... **08-05**

(52) **U.S. Cl.** ..... **D8/363**

(58) **Field of Classification Search** ..... D8/363,  
D8/373, 381; D25/38; 256/65.07, 65.16;  
248/309.1, 251, 217.4

See application file for complete search history.

**DESCRIPTION**

FIG. 1 is a perspective view of a handrail bracket showing my new design;

FIG. 2 is a front elevational view thereof;

FIG. 3 is a right side view thereof, the opposite side being a mirror image of the end shown;

FIG. 4 is a top plan view thereof; and,

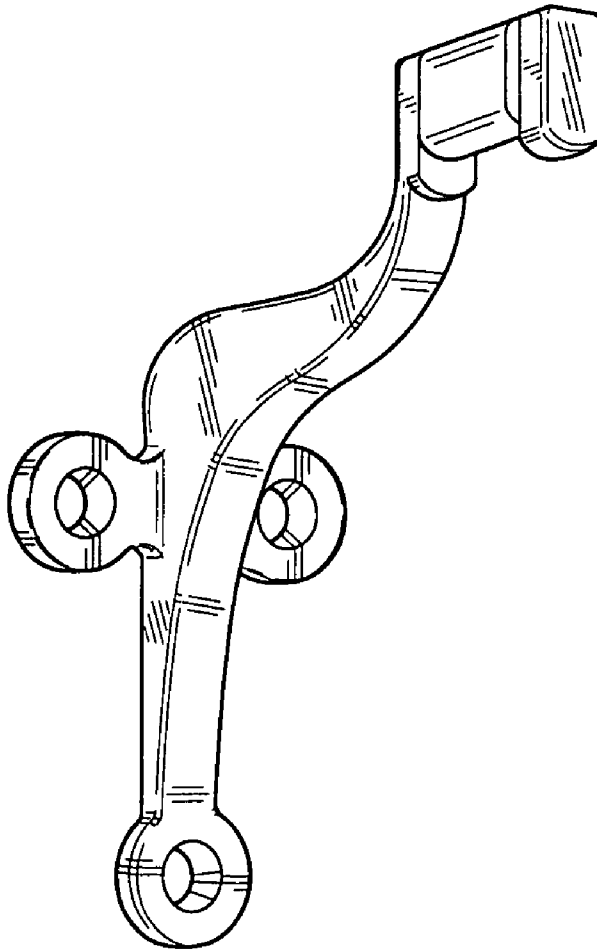
FIG. 5 is a bottom plan view thereof.

(56) **References Cited**

**U.S. PATENT DOCUMENTS**

2,903,223 A \* 9/1959 De Gray ..... 248/219.3  
5,269,488 A \* 12/1993 Lach ..... 248/535

**1 Claim, 2 Drawing Sheets**



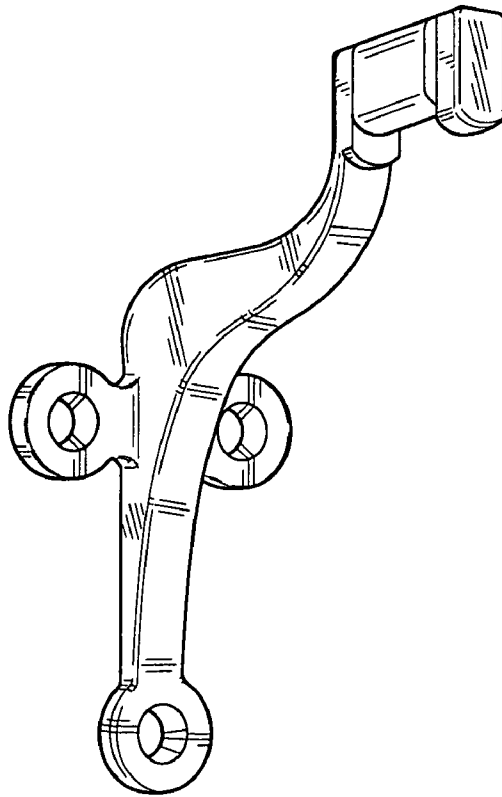


Fig-1

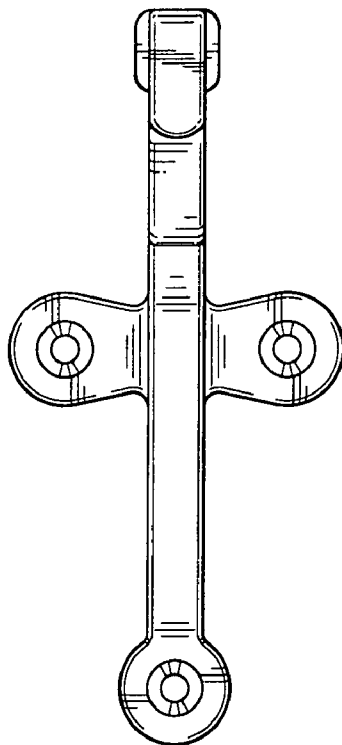


Fig-2

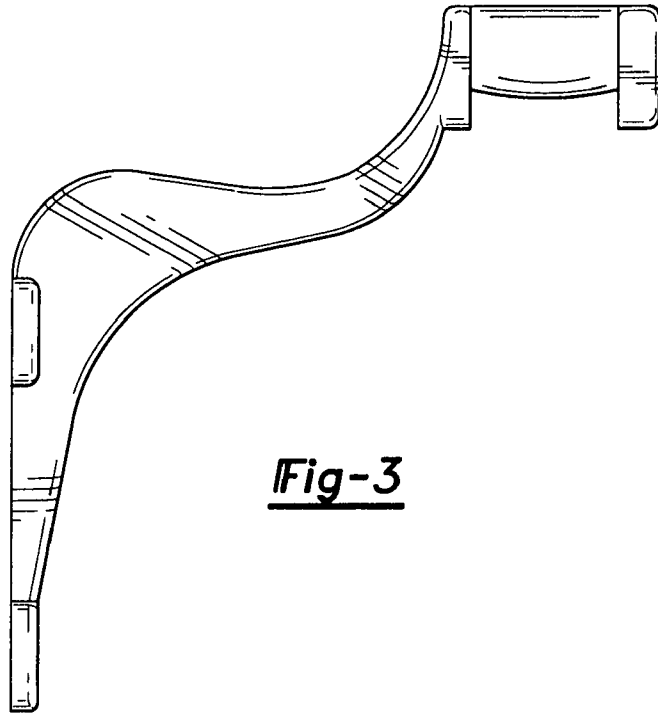


Fig-3

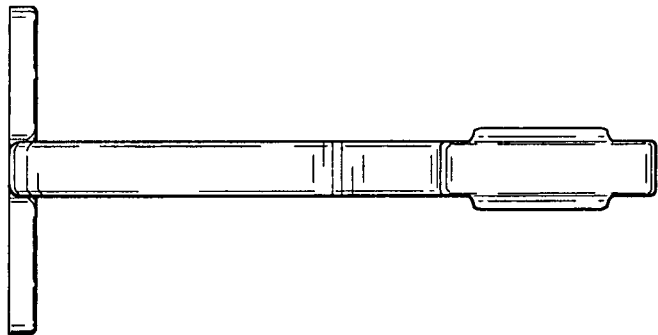


Fig-4

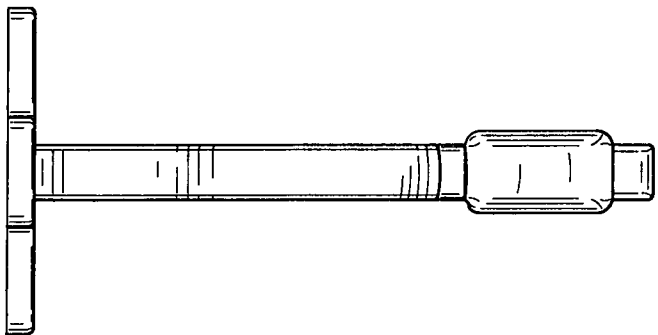


Fig-5