



(51) International Patent Classification:

B65D 85/50 (2006.01) A01G 5/06 (2006.01)
B65D 81/22 (2006.01)

(21) International Application Number:

PCT/US2023/028848

(22) International Filing Date:

27 July 2023 (27.07.2023)

(25) Filing Language:

English

(26) Publication Language:

English

(30) Priority Data:

17/867,569 18 July 2022 (18.07.2022) US

(72) Inventor; and

(71) Applicant: **BENZICK, John, William** [US/US]; 3220
Dartmouth Drive, Excelsior, MN 55331 (US).

(74) Agent: **KAUFHOLD, Sean, A.**; Kaufhold & Dix Patent
Law, PO Box 89626, Sioux Falls, SD 57109 (US).

KH, KN, KP, KR, KW, KZ, LA, LC, LK, LR, LS, LU, LY,
MA, MD, MG, MK, MN, MU, MW, MX, MY, MZ, NA,
NG, NI, NO, NZ, OM, PA, PE, PG, PH, PL, PT, QA, RO,
RS, RU, RW, SA, SC, SD, SE, SG, SK, SL, ST, SV, SY, TH,
TJ, TM, TN, TR, TT, TZ, UA, UG, US, UZ, VC, VN, WS,
ZA, ZM, ZW.

(84) Designated States (unless otherwise indicated, for every
kind of regional protection available): ARIPO (BW, CV,
GH, GM, KE, LR, LS, MW, MZ, NA, RW, SC, SD, SL, ST,
SZ, TZ, UG, ZM, ZW), Eurasian (AM, AZ, BY, KG, KZ,
RU, TJ, TM), European (AL, AT, BE, BG, CH, CY, CZ,
DE, DK, EE, ES, FI, FR, GB, GR, HR, HU, IE, IS, IT, LT,
LU, LV, MC, ME, MK, MT, NL, NO, PL, PT, RO, RS, SE,
SI, SK, SM, TR), OAPI (BF, BJ, CF, CG, CI, CM, GA, GN,
GQ, GW, KM, ML, MR, NE, SN, TD, TG).

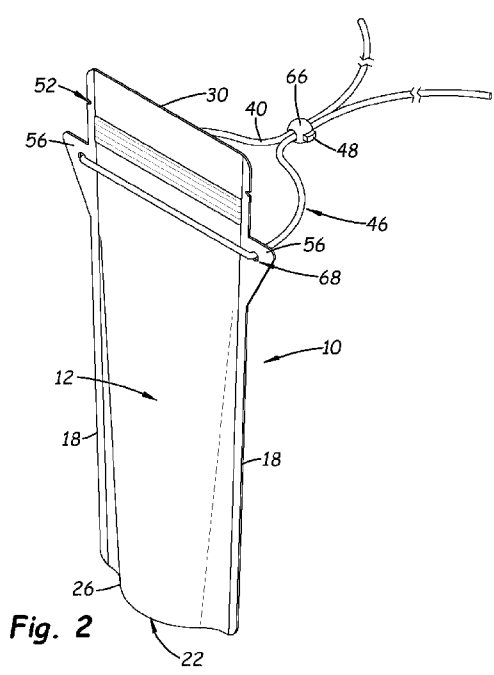
Declarations under Rule 4.17:

— of inventorship (Rule 4.17(iv))

(81) Designated States (unless otherwise indicated, for every
kind of national protection available): AE, AG, AL, AM,

AO, AT, AU, AZ, BA, BB, BG, BH, BN, BR, BW, BY, BZ,
CA, CH, CL, CN, CO, CR, CU, CV, CZ, DE, DJ, DK, DM,
DO, DZ, EC, EE, EG, ES, FI, GB, GD, GE, GH, GM, GT,
HN, HR, HU, ID, IL, IN, IQ, IR, IS, IT, JM, JO, JP, KE, KG,

(54) Title: FLOWER HYDRATING TRANSPORT POUCH DEVICE



(57) Abstract: A flower hydrating transport pouch device for cost efficiently preserving fresh cut flowers during transport from a point of sale includes a pouch defining an interior space. The pouch has a pair of lateral sides and an upper edge. The upper edge is removable from a body of the pouch to expose an opening into the interior space. A hydrating fluid is in the interior space. A closure is positioned on the body of the pouch adjacent to the opening for selectively closing the opening. A tether line extends from the pouch for engaging interior structure of a vehicle for transporting flowers having stems extending into the hydrating fluid within the interior space of the pouch.



Published:

- *with international search report (Art. 21(3))*
- *before the expiration of the time limit for amending the claims and to be republished in the event of receipt of amendments (Rule 48.2(h))*
- *with information concerning one or more priority claims considered void (Rule 26bis.2(d))*
- *with information concerning request for restoration of the right of priority in respect of one or more priority claims (Rules 26bis.3 and 48.2(b)(vii))*

(88) Date of publication of the international search report:

22 February 2024 (22.02.2024)

INTERNATIONAL SEARCH REPORT

International application No.

PCT/US 23/28848

A. CLASSIFICATION OF SUBJECT MATTER
 IPC - INV. B65D 85/50, B65D 81/22 (2023.01)
 ADD. A01G 5/06 (2023.01)

CPC - INV. B65D 85/505, B65D 81/22

ADD. B65D 75/5805, A01G 5/06

According to International Patent Classification (IPC) or to both national classification and IPC

B. FIELDS SEARCHED

Minimum documentation searched (classification system followed by classification symbols)
 See Search History document

Documentation searched other than minimum documentation to the extent that such documents are included in the fields searched
 See Search History document

Electronic data base consulted during the international search (name of data base and, where practicable, search terms used)
 See Search History document

C. DOCUMENTS CONSIDERED TO BE RELEVANT

Category*	Citation of document, with indication, where appropriate, of the relevant passages	Relevant to claim No.
Y	US 2008/0233252 A1 (Manning et al.) 25 September 2008 (25.09.2008), entire document, especially Fig. 1-6, para [0014], [0016], [0017], [0025], [0026]	1-11, 13-18, 20
Y	US 5,167,354 A (Cohanfard) 1 December 1992 (01.12.1992), entire document, especially Fig. 1-3, col. 5 ln. 16, 25-28, 31-33	1-11, 13-18, 20
Y	US 2011/0249919 A1 (Shepard) 13 October 2011 (13.10.2011), entire document, especially Fig. 1, para [0039]	14, 20
A	US 2009/0180718 A1 (Walker et al.) 16 July 2009 (16.07.2009), entire document	1-11, 13-18, 20
A	US 6,076,967 A (Beaudette) 20 June 2000 (20.06.2000), entire document	1-11, 13-18, 20
A	US 2008/0193058 A1 (Rothstein) 14 August 2008 (14.08.2008), entire document	1-11, 13-18, 20
A	US D950,393 S1 (Swaggn LLC) 3 May 2022 (03.05.2022), entire document	1-11, 13-18, 20
X, P	US 2023/0166903 A1 (Benzick) 1 June 2023 (01.06.2023), entire document	1-11, 13-18, 20

Further documents are listed in the continuation of Box C.

See patent family annex.

* Special categories of cited documents:	"T" later document published after the international filing date or priority date and not in conflict with the application but cited to understand the principle or theory underlying the invention
"A" document defining the general state of the art which is not considered to be of particular relevance	"X" document of particular relevance; the claimed invention cannot be considered novel or cannot be considered to involve an inventive step when the document is taken alone
"D" document cited by the applicant in the international application	"Y" document of particular relevance; the claimed invention cannot be considered to involve an inventive step when the document is combined with one or more other such documents, such combination being obvious to a person skilled in the art
"E" earlier application or patent but published on or after the international filing date	"&" document member of the same patent family
"L" document which may throw doubts on priority claim(s) or which is cited to establish the publication date of another citation or other special reason (as specified)	
"O" document referring to an oral disclosure, use, exhibition or other means	
"P" document published prior to the international filing date but later than the priority date claimed	

Date of the actual completion of the international search
 11 September 2023

Date of mailing of the international search report

JAN 10 2024

Name and mailing address of the ISA/US
 Mail Stop PCT, Attn: ISA/US, Commissioner for Patents
 P.O. Box 1450, Alexandria, Virginia 22313-1450
 Facsimile No. 571-273-8300

Authorized officer
 Kari Rodriguez
 Telephone No. PCT Helpdesk: 571-272-4300

INTERNATIONAL SEARCH REPORT

International application No.

PCT/US 23/28848

Box No. II Observations where certain claims were found unsearchable (Continuation of item 2 of first sheet)

This international search report has not been established in respect of certain claims under Article 17(2)(a) for the following reasons:

1. Claims Nos.:
because they relate to subject matter not required to be searched by this Authority, namely:

2. Claims Nos.:
because they relate to parts of the international application that do not comply with the prescribed requirements to such an extent that no meaningful international search can be carried out, specifically:

3. Claims Nos.:
because they are dependent claims and are not drafted in accordance with the second and third sentences of Rule 6.4(a).

Box No. III Observations where unity of invention is lacking (Continuation of item 3 of first sheet)

This International Searching Authority found multiple inventions in this international application, as follows:

This application contains claims directed to more than one species of the generic invention. These species are deemed to lack unity of invention because they are not so linked as to form a single general inventive concept under PCT Rule 13.1.

In order for more than one species to be searched, the appropriate additional search fees must be paid. The species are as follows:

The embodiments are directed to a flower hydrating transport pouch device.

Group I: directed to a flower hydrating transport pouch device having a pair of tabs and a pair of tab apertures. (Fig. 1-6)

Group II: directed to a flower hydrating transport pouch device having a pair of pouch apertures through the pouch, the apertures being positioned between a closure and an upper edge. (Fig. 7-8)

-* See Extra Sheet -*

1. As all required additional search fees were timely paid by the applicant, this international search report covers all searchable claims.
2. As all searchable claims could be searched without effort justifying additional fees, this Authority did not invite payment of additional fees.
3. As only some of the required additional search fees were timely paid by the applicant, this international search report covers only those claims for which fees were paid, specifically claims Nos.:
4. No required additional search fees were timely paid by the applicant. Consequently, this international search report is restricted to the invention first mentioned in the claims; it is covered by claims Nos.:
1-11, 13-18, 20

Remark on Protest

- The additional search fees were accompanied by the applicant's protest and, where applicable, the payment of a protest fee.
- The additional search fees were accompanied by the applicant's protest but the applicable protest fee was not paid within the time limit specified in the invitation.
- No protest accompanied the payment of additional search fees.

INTERNATIONAL SEARCH REPORT

International application No.

PCT/US 23/28848

--- Continuation of Box No. III Observations where unity of invention is lacking ---

The claims are deemed to correspond to the species listed above in the following manner:

Group I claims 1-11, 13-18, 20 (as directed to a pair of tabs and a pair of tab apertures)

Group II claims 1, 6-9, 12-17, 19-20 (as directed to a pair of pouch apertures through the pouch, the apertures being positioned between a closure and an upper edge)

Claims considered as generic: 1, 6-9, 13-17, 20

The inventions listed as Groups I-II do not relate to a single general inventive concept under PCT Rule 13.1 because, under PCT Rule 13.2, they lack the same or corresponding special technical features for the following reasons:

Common Technical Features

The features shared by the inventions of Group I-II are A flower hydrating transport pouch device comprising: a pouch, said pouch defining an interior space, said pouch having a pair of lateral sides; an upper edge of said pouch being removable from a body of said pouch wherein removal of said upper edge exposes an opening into said interior space; a hydrating fluid positioned in said interior space; a closure coupled to said pouch, said closure being positioned on said body of said pouch adjacent to said opening, said closure selectively closing said opening; and a tether line, said tether line being coupled to said pouch, said tether line extending from said pouch such that said tether line is configured for engaging interior structure of a vehicle whereby said pouch is configured for transporting flowers having stems extending into said hydrating fluid within said interior space of said pouch.

However, these shared technical features do not represent a contribution over prior art, because the shared technical features are taught by US 2008/0233252 A1 to Manning et al. (hereinafter "Manning") in view of US 5,167,354 A (Cohanfard).

Manning discloses a flower hydrating transport pouch device (See Fig. 1, the device is shown.) comprising: a pouch (Fig. 1, container 10, para [0014]), said pouch defining an interior space (Fig. 1, interior space 12-2, para [0014]), said pouch having a pair of lateral sides (Fig. 1, edge region 12-3, para [0016]);

an upper edge (Fig. 1, there is shown to be an upper edge located above line 18-3, para [0025]) of said pouch being removable from a body of said pouch wherein removal of said upper edge exposes an opening into said interior space (See Fig. 1, 4-6, the upper edge is shown being removed and exposing an opening into the interior space.);

a hydrating fluid (Fig. 1, liquid concentrate 14, para [0014]) positioned in said interior space;

a closure (Fig. 1, closure device 30, para [0026]) coupled to said pouch, said closure being positioned on said body of said pouch adjacent to said opening, said closure selectively closing said opening (See Fig. 1, 4-6, the closure 30 is shown to be positioned adjacent the opening and selectively closes and opens.);

but is silent comprising a tether line, said tether line being coupled to said pouch, said tether line extending from said pouch such that said tether line is configured for engaging interior structure of a vehicle whereby said pouch is configured for transporting flowers having stems extending into said hydrating fluid within said interior space of said pouch. However, Cohanfard discloses a similar device (Fig. 1, the device is shown.) comprising a pair of triangular tabs (Fig. 1-3, protrusion 36, col. 5 ln. 31, protrusion 38, col. 5 ln. 32-33) and a tether line (Fig. 1, strap 40, col. 5 ln. 16), the tether line extending through a pair of tab apertures (Fig. 1, bore 37, col. 5 ln. 31-32, bore 39, col. 5 ln. 33). Accordingly, it would have been obvious to a person of ordinary skill in the art to have combined the tabs and tether line of Cohanfard to the pouch of Manning, in order to have allowed a user to suspend and carry the pouch.

As the technical features were known in the art at the time of the invention, they cannot be considered a special technical features that would otherwise unify the groups.

Groups I-II therefore lack unity of invention under PCT Rule 13.