



(12) **United States Design Patent**
Joynson-Dickomeit et al.

(10) **Patent No.:** **US D970,293 S**
(45) **Date of Patent:** **** Nov. 22, 2022**

(54) **GLASS**

(71) Applicant: **PRODUCT SPECIALTIES INC.,**
Whitby (CA)

(72) Inventors: **Thomas Joynson-Dickomeit, Whitby**
(CA); Martin Kehoe, Whitby (CA);
Daniel Pierre Kehoe, Whitby (CA)

(73) Assignee: **PRODUCT SPECIALTIES INC.,**
Whitby (CA)

(**) Term: **15 Years**

(21) Appl. No.: **29/804,989**

(22) Filed: **Aug. 24, 2021**

Related U.S. Application Data

(60) Division of application No. 29/756,387, filed on Oct. 28, 2020, and a continuation-in-part of application No. 29/697,227, filed on Jul. 5, 2019, now abandoned.

Foreign Application Priority Data

Jan. 10, 2019 (CA) CA 185632

(51) **LOC (13) Cl.** **07-01**

(52) **U.S. Cl.**
USPC **D7/509; D7/523; D7/532**

(58) **Field of Classification Search**
USPC D7/507, 509, 510, 511, 512, 523, 532,
D7/305, 531, 608, 392.1, 396.2, 533, 536;
D27/172, 174, 175, 176; D9/501, 502,
D9/503, 504, 530, 529, 522, 554, 567,
D9/571, 569, 449, 516, 523, 524, 543,
D9/565, 575

CPC A47J 43/27; A47J 41/02; A47G 19/22;
A47G 19/16; A47G 19/2205; A47G
19/2288; B65D 1/265

See application file for complete search history.

(56) **References Cited**

U.S. PATENT DOCUMENTS

D173,106	S *	9/1954	Foster	D7/524
D422,101	S *	3/2000	Barraclough	D26/9
6,189,715	B1 *	2/2001	Dubois	A47G 19/2205 215/377
D459,156	S *	6/2002	Davidson	D7/509
D575,108	S *	8/2008	Barducci	D7/509
D746,108	S *	12/2015	Di Giuseppantonio	D7/509
D792,158	S *	7/2017	Di Giuseppantonio	D7/523
D821,143	S *	6/2018	Cossu	D7/509
D828,096	S *	9/2018	Moore	D7/509

(Continued)

OTHER PUBLICATIONS

<https://www.amazon.com/Final-Touch-Whiskey-Tasting-Glasses/dp/B08NLLKBD> Final Touch Whiskey Tasing Glasses (Year: 2020).*

(Continued)

Primary Examiner — Jae Liang

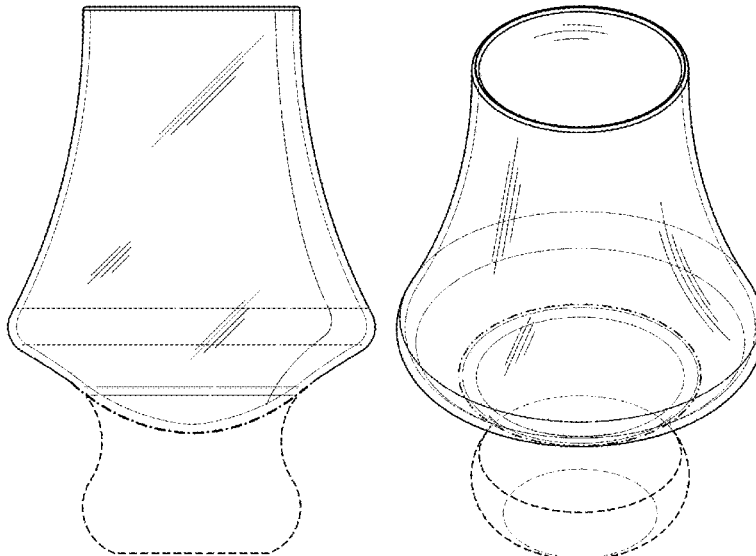
(57) **CLAIM**

We claim the ornamental design for a glass, as shown and described.

DESCRIPTION

FIG. 1 is a side elevational view of a glass showing our new design; with the other side view being identical; FIG. 2 is a bottom elevational view thereof; FIG. 3 is a top elevational view thereof; FIG. 4 is a front top perspective view thereof; and, FIG. 5 is a front bottom perspective view thereof. The broken line portions in the drawings are for illustrative purposes or show the environment and do not form part of the claimed design. The bold dash-dot lines shown in FIGS. 1 to 5 illustrate a boundary of the design and do not form part of the claimed design.

1 Claim, 2 Drawing Sheets



(56)

References Cited

U.S. PATENT DOCUMENTS

D834,374 S * 11/2018 Faulkner D7/532

OTHER PUBLICATIONS

https://www.amazon.com/dp/B08BX577TW/ref=cm_sw_em_r_mt_dp_Q40WSKYQJTRYENYWG1KJ?_encoding=UTF8&psc=1 (Year: 2020).*

https://www.amazon.com/Crystal-Whiskey-Tumblers-Fashioned-Bourbon/dp/B072PVDPNH/ref=pd_di_sccai_28/136-7998731-3247761?pd_rd_w=yqFkA&pf_rd_p=c9443270-b914-4430-a90b-72e3e7e784e0&pf_rd_r=HNYA5QPRRXBT64D1JER58pd_rd_r=2f4c09b1-4ac9-4274-830f-f56532293be3&pd_rd_wg=Mkc5v&pd_rd_i=B072PVDPNH&th=1 (Year: 2017).*

https://www.amazon.com/C-R-Gibson-DWGL-20860-Whiskey-Groomsmen/dp/B078D75ZRL/ref=sr_1_29?dchild=1&keywords=whiskey+glass+with+round+base&qid=1624384637&s=home-garden&sr=1-29 (Year: 2017).*

* cited by examiner

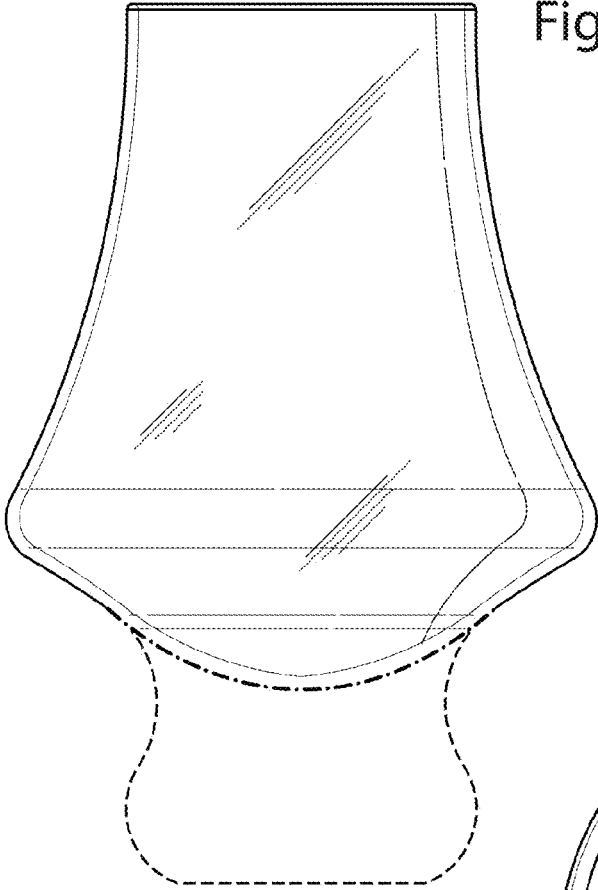


Fig. 1

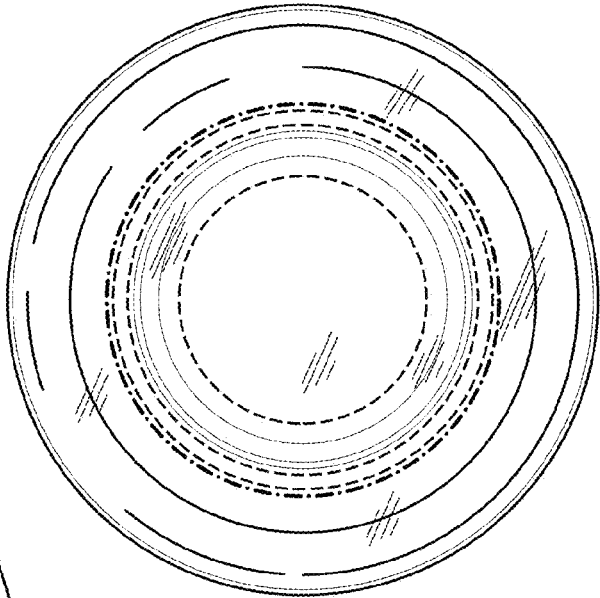


Fig. 2

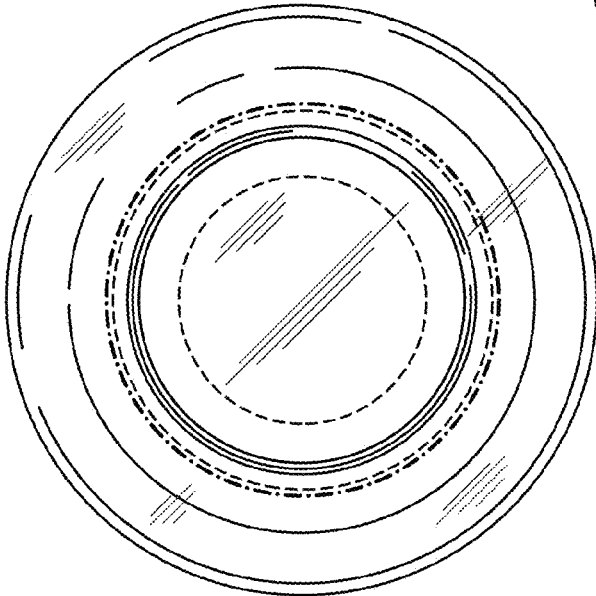


Fig. 3

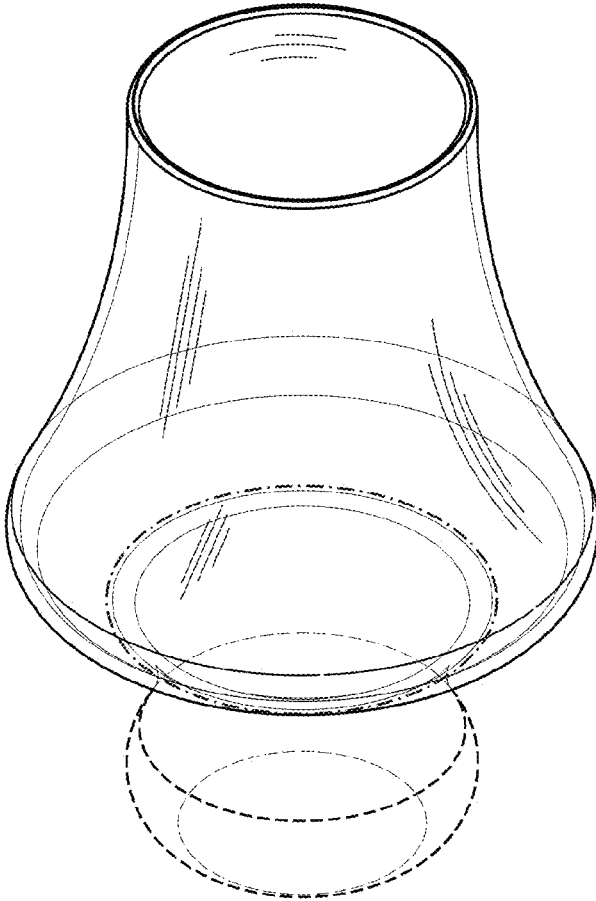


Fig. 4

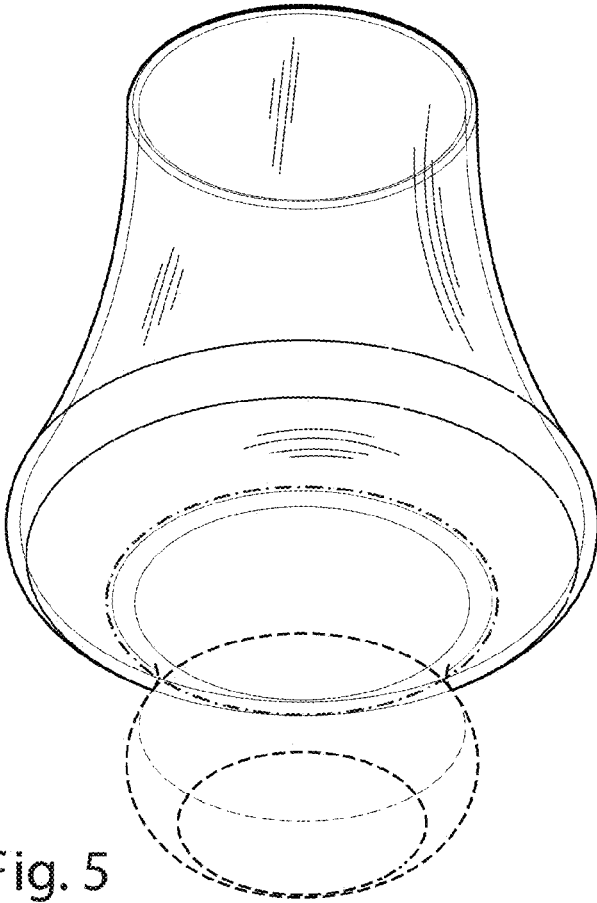


Fig. 5