



- (51) International Patent Classification: *E21B 43/14* (2006.01) *E21B 33/138* (2006.01)
- (21) International Application Number: PCT/US2013/041384
- (22) International Filing Date: 16 May 2013 (16.05.2013)
- (25) Filing Language: English
- (26) Publication Language: English
- (30) Priority Data: 13/475,385 18 May 2012 (18.05.2012) US
- (71) Applicant: HALLIBURTON ENERGY SERVICES, INC. [US/US]; 10200 Bellaire Boulevard, Houston, TX 77072 (US).
- (72) Inventor: CURTICE, Richard, James; 240 North 1100 West, Vernal, UT 84078 (US).
- (74) Agents: JORDAN, Carey, C. et al.; McDermott Will & Emery LLP, 500 North Capital Street, N.W., Washington, DC 20001 (US).
- (81) Designated States (unless otherwise indicated, for every kind of national protection available): AE, AG, AL, AM, AO, AT, AU, AZ, BA, BB, BG, BH, BN, BR, BW, BY, BZ, CA, CH, CL, CN, CO, CR, CU, CZ, DE, DK, DM, DO, DZ, EC, EE, EG, ES, FI, GB, GD, GE, GH, GM, GT, HN, HR, HU, ID, IL, IN, IS, JP, KE, KG, KM, KN, KP, KR, KZ, LA, LC, LK, LR, LS, LT, LU, LY, MA, MD, ME, MG, MK, MN, MW, MX, MY, MZ, NA, NG, NI, NO, NZ, OM, PA, PE, PG, PH, PL, PT, QA, RO, RS, RU, RW, SC, SD, SE, SG, SK, SL, SM, ST, SV, SY, TH, TJ, TM, TN, TR, TT, TZ, UA, UG, US, UZ, VC, VN, ZA, ZM, ZW.
- (84) Designated States (unless otherwise indicated, for every kind of regional protection available): ARIPO (BW, GH, GM, KE, LR, LS, MW, MZ, NA, RW, SD, SL, SZ, TZ, UG, ZM, ZW), Eurasian (AM, AZ, BY, KG, KZ, RU, TJ, TM), European (AL, AT, BE, BG, CH, CY, CZ, DE, DK,

[Continued on next page]

(54) Title: METHODS FOR PROTECTING A HYDROCARBON-PRODUCING ZONE OF A SUBTERRANEAN FORMATION USING A RELATIVE PERMEABILITY MODIFIER

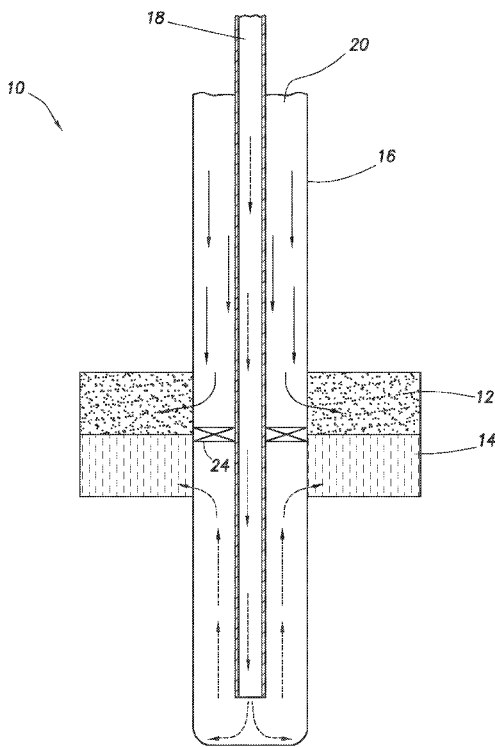


FIG.2

(57) Abstract: A relative permeability modifier may be used to protect a hydrocarbon-producing zone of a subterranean formation without detrimentally affecting its ability to produce hydrocarbons. Methods for protecting a hydrocarbon-producing zone of a subterranean formation can comprise: introducing a first treatment fluid comprising a relative permeability modifier to a hydrocarbon-producing zone of a subterranean formation also comprising a water-producing zone; concurrently with or after introducing the first treatment fluid to the hydrocarbon-producing zone, introducing a second treatment fluid comprising a sealant composition to the water-producing zone; and allowing the relative permeability modifier to substantially prevent the sealant composition from entering the hydrocarbon-producing zone.





EE, ES, FI, FR, GB, GR, HR, HU, IE, IS, IT, LT, LU,
LV, MC, MK, MT, NL, NO, PL, PT, RO, RS, SE, SI, SK,
SM, TR), OAPI (BF, BJ, CF, CG, CI, CM, GA, GN, GQ,
GW, ML, MR, NE, SN, TD, TG).

Published:

- with international search report (Art. 21(3))
- before the expiration of the time limit for amending the claims and to be republished in the event of receipt of amendments (Rule 48.2(h))

Declarations under Rule 4.17:

- as to applicant's entitlement to apply for and be granted a patent (Rule 4.17(ii))
- as to the applicant's entitlement to claim the priority of the earlier application (Rule 4.17(iii))

(88) Date of publication of the international search report:

17 July 2014

INTERNATIONAL SEARCH REPORT

International application No
PCT/US2013/041384

A. CLASSIFICATION OF SUBJECT MATTER
INV. E21B43/14 E21B33/138
ADD.

According to International Patent Classification (IPC) or to both national classification and IPC

B. FIELDS SEARCHED
Minimum documentation searched (classification system followed by classification symbols)
E21B

Documentation searched other than minimum documentation to the extent that such documents are included in the fields searched

Electronic data base consulted during the international search (name of data base and, where practicable, search terms used)
EPO-Internal, WPI Data

Category*	Citation of document, with indication, where appropriate, of the relevant passages	Relevant to claim No.
X	US 5 002 127 A (DALRYMPLE DWYANN [US] ET AL) 26 March 1991 (1991-03-26) the whole document	1-14
A	----- US 6 476 169 B1 (EOFF LARRY S [US] ET AL) 5 November 2002 (2002-11-05) cited in the application claim 1	8
A	----- US 7 114 568 B2 (EOFF LARRY S [US] ET AL) 3 October 2006 (2006-10-03) cited in the application paragraph [0011]	8
A	----- US 7 759 292 B2 (EOFF LARRY S [US] ET AL) 20 July 2010 (2010-07-20) cited in the application claim 1 -----	8

Further documents are listed in the continuation of Box C.

See patent family annex.

* Special categories of cited documents :

<p>"A" document defining the general state of the art which is not considered to be of particular relevance</p> <p>"E" earlier application or patent but published on or after the international filing date</p> <p>"L" document which may throw doubts on priority claim(s) or which is cited to establish the publication date of another citation or other special reason (as specified)</p> <p>"O" document referring to an oral disclosure, use, exhibition or other means</p> <p>"P" document published prior to the international filing date but later than the priority date claimed</p>	<p>"T" later document published after the international filing date or priority date and not in conflict with the application but cited to understand the principle or theory underlying the invention</p> <p>"X" document of particular relevance; the claimed invention cannot be considered novel or cannot be considered to involve an inventive step when the document is taken alone</p> <p>"Y" document of particular relevance; the claimed invention cannot be considered to involve an inventive step when the document is combined with one or more other such documents, such combination being obvious to a person skilled in the art</p> <p>"&" document member of the same patent family</p>
---	---

Date of the actual completion of the international search 20 May 2014	Date of mailing of the international search report 28/05/2014
--	--

Name and mailing address of the ISA/ European Patent Office, P.B. 5818 Patentlaan 2 NL - 2280 HV Rijswijk Tel. (+31-70) 340-2040, Fax: (+31-70) 340-3016	Authorized officer Maukonen, Kalle
--	---

INTERNATIONAL SEARCH REPORT

Information on patent family members

International application No PCT/US2013/041384

Patent document cited in search report	Publication date	Patent family member(s)	Publication date
US 5002127	A	26-03-1991	NONE

US 6476169	B1	05-11-2002	CA 2357844 A1 28-03-2002
			CO 5221131 A1 28-11-2002
			EP 1193365 A1 03-04-2002
			US 6476169 B1 05-11-2002

US 7114568	B2	03-10-2006	NONE

US 7759292	B2	20-07-2010	US 2004229757 A1 18-11-2004
			US 2005155796 A1 21-07-2005
			US 2006234874 A1 19-10-2006
			US 2006240994 A1 26-10-2006
			US 2011294704 A1 01-12-2011
			US 2012231978 A1 13-09-2012
			WO 2005071219 A2 04-08-2005
